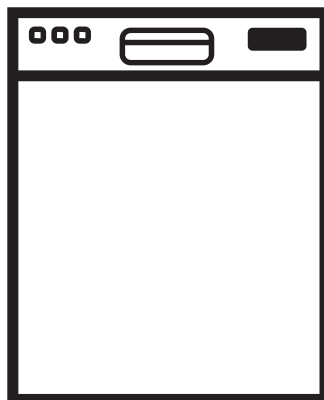


Dishwasher

User manual



F6DWT24SS2

F6DWT24FI2


To prevent accidents, which could cause serious injury or death, as well as machine damage read these instructions before installation and / or use.


CONTENTS


1. IMPORTANT SAFETY INSTRUCTIONS	1
2. RECYCLING	3
3. GETTING TO KNOW YOUR DISHWASHER	4
4. LOADING THE DISHWASHER	5
4.1 UPPER RACK	8
4.2 LOWER RACK	11
4.3 PROPER AND IMPROPER LOADING OF DISHWARE	17
5. WHAT SHOULD NOT BE WASHED IN YOUR DISHWASHER	18
6. OPERATING THE PRODUCT	19
6.1 KEYS	20
6.2 PREPARING THE MACHINE	20
6.3 PROGRAM SELECTION	20
6.4 AUXILIARY FUNCTIONS	22
6.5 SCHEDULING THE WASHING TIME	23
6.6 STARTING THE PROGRAM	24
6.7 CANCELLING THE PROGRAM	25
6.8 SALT INDICATOR (S)	25
6.9 RINSE AID INDICATOR (✳)	25
6.10 END OF PROGRAM	25
6.11 WATER CUT-OFF WARNING	26
6.12 OVERFLOWING WARNING	26
7. DETERGENT	27
7.1 ADDING DETERGENT	27
7.2 TABLET DETERGENTS	28
7.3 RINSE AID	29
10. CARE AND MAINTENANCE	33
10.1 CARING FOR YOUR DISHWASHER EXTERIOR	33
10.2 CARING FOR YOUR DISHWASHER INTERIOR	33
10.3 CLEANING THE FILTERS	34
10.4 CLEANING THE HOSE FILTER	35
10.5 CLEANING THE WASH ARMS	35
11. TROUBLESHOOTING	36
12. TECHNICAL FEATURES	41

INTRODUCTION


Please read this user manual and particularly the safety instructions completely and carefully. They will save you time and effort and help to ensure optimum dishwasher performance. Be sure to observe all listed warnings and cautions. Look particularly for the icons with exclamation marks inside. The information icon will also provide important references.


	WARNING: Indicates a potentially hazardous situation which, if not avoided, could result in death or serious injury.
--	---

	CAUTION: Indicates a potentially hazardous situation which, if not avoided, may result in injury. It may also be used to alert against unsafe practices.
--	---

	NOTICE: Indicates a potentially hazardous situation which, if not avoided, may result in damage to the dishwasher, the tableware, the equipment or the environment.
--	--


1. IMPORTANT SAFETY INSTRUCTIONS

	WARNING: When using the dishwasher, follow basic precautions, including the following: Read all instructions before using the dishwasher! Save these operating instructions and pass them on to any future user.
--	--

	<p>“This device complies with Part 15 of the FCC Rules. Operation is subject to the following two conditions: (1) this device may not cause harmful interference, and (2) this device must accept any interference received, including interference that may cause undesired operation.”</p> <p>“No changes shall be made to the equipment without the manufacturer’s permission as this may void the user’s authority to operate the equipment”</p>
--	--

- Use the dishwasher only for its intended purpose as described in this user manual. This appliance is intended for normal household use only.
- **The manufacturer disclaims responsibility for damage or injury caused by improper use of this appliance.**
- The information in this user manual must be followed to minimize the risk of fire or explosion and to prevent property damage, personal injury or loss of life.
- Do not operate your dishwasher unless all the enclosure panels are properly in place.
- Do not tamper with the controls.
- Do not abuse, sit on, stand in or on the door or dish rack of the dishwasher.
- The cup racks are designed to support cups, glasses and kitchen utensils. When the cup racks are in the dishwasher do not lean on or use the cup racks to support your body weight.


- To reduce the risk of injury, do not allow children to play in, on or near the dishwasher.
- Use only detergents or rinse aids recommended for use in a household dishwasher and keep them in a dry place out of the reach of children. Check that the detergent dispenser is empty after the completion of each wash program.
- Dishwasher detergents contain chemicals that can cause sickness and may be if they are inhaled or swallowed. Also, be careful when opening the door due to hot steam that is produced during operation. Consult a doctor immediately if detergent has been swallowed or inhaled.
- If the hot water has not been used in several weeks, we recommend running the hot water taps to remove any built up hydrogen gases.
- Do not store or use flammable liquids or vapors in the area of the dishwasher.
- When loading items to be washed, position sharp items so that they are not likely to damage the door seal and load sharp knives with the handles up to reduce the risk of cut-type injuries.
- Do not wash plastic items unless they are marked “dishwasher safe” or the equivalent. For plastic items not so marked, check the manufacturer’s recommendations.
- If a malfunction occurs, switch off the appliance and turn off the water supply to the dishwasher.
- Please do not attempt to carry the dishwasher by yourself in order to avoid potential injuries. Two or more people are needed to move a dishwasher.
- Before cleaning or carrying out maintenance, switch off the appliance, disconnect the power plug and turn off the water supply.
- Repairs and technical modifications must be carried out exclusively by a Authorized technician.
- If the dishwasher is not in use for an extended period of time (i.e. vacation home), we recommend remove all items from the dishwasher, leave the door cracked open to allow air to circulate and turn off both the power and water supply to the dishwasher.
- This appliance comes with a three prong NEMA 5-15P 15A power cord. It must be connected to a Grounded and Polarized wall receptacle that has been installed and tested by an licensed electrician and that it has been installed based on all Local, State and Federal Electrical codes.


	<p>WARNING: Improper connection of the equipment-grounding conductor can result in a risk of electric shock. Check with a qualified electrician or service representative if you are in doubt whether the appliance is properly grounded. Do not modify the plug provided with the appliance, if it will not fit the outlet, have a proper outlet installed by a qualified electrician.</p>
---	--

- This appliance produces ozone within the washing compartment during normal operation. Long-term exposure to ozone or exposure at elevated levels may result in respiratory problems,

especially for the infirmed, elderly and children.

- Chidren should not operate this machine without adult supervision.
- Be Careful to not leave the door fully open when not being loaded or unloaded to prevent someone from tripping on the unit.

	WARNING: If your dishwasher is equipped with internal illumination, lamp should only be replaced by the Authorized Service Agent in case of failures that may occur on the lamp.
--	---

	WARNING: This product can expose you to chemicals including Nickel (Metallic) which is known to the State of California to cause cancer. For more information go to www.P65Warnings.ca.gov Note: Nickel is a component in all stainless steel and some other metal components.
--	---


SAVE THESE INSTRUCTIONS

- Service should be performed by a qualified installer. Work by unqualified persons could be dangerous and may void the warranty.
- Do not operate the appliance if damaged, malfunctioning, partially disassembled or if it has missing or broken parts.
- Before installation or service, disconnect the power supply to the work area by unplugging the unit, “tripping” the circuit breaker or removing the fuse.

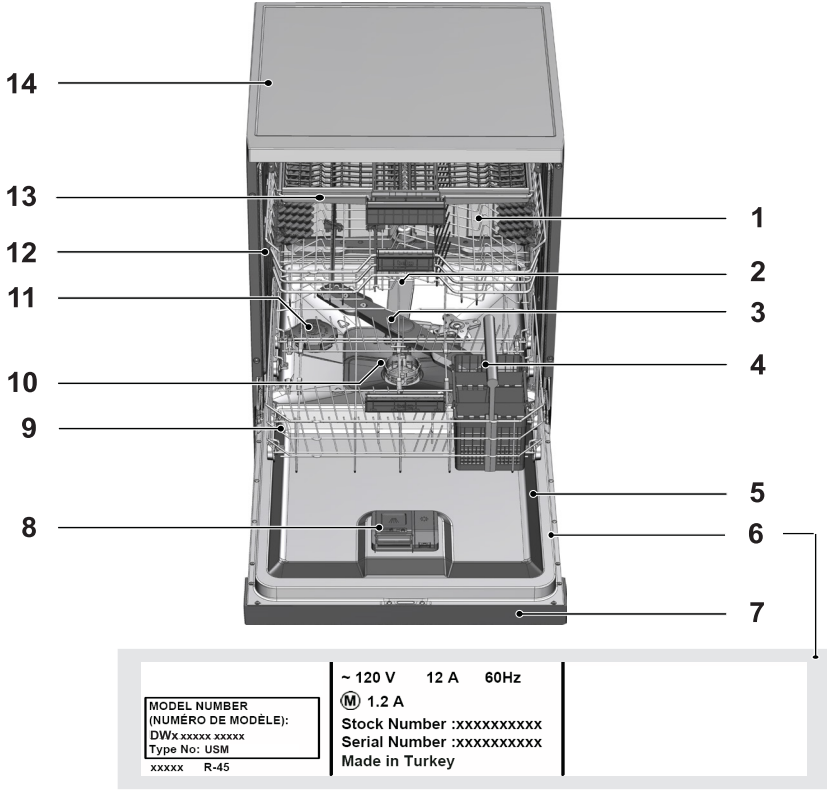
- For safety reasons, dishwasher must be secured to adjacent cabinetry using the brackets provided. Failure to do this may cause damage to property or bodily injury.
- Do not use any extension cord or portable outlet device to connect the dishwasher to a power supply.

2. RECYCLING

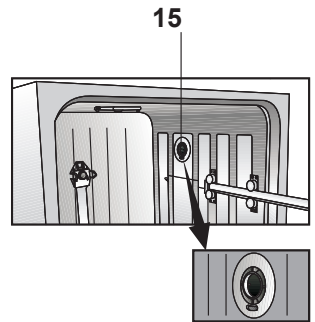
- Remove the door to the washing compartment when removing an old dishwasher from service or discarding it. Ensure that the appliance presents no danger to children while being stored for disposal.
- Remove the door lock or door of the washing compartment before disposing dishwasher so that children or small animals can not trapped inside.
- Old appliances may contain materials that can be recycled. Please contact your local recycling authority about the possibility of recycling these materials.
- Please check the water supply line periodically. It is susceptible to breakage. It becomes less flexible as time goes by. Replace it immediately when it is torn, cut, swollen or there is water leakage.
- Please keep the dishwasher package out of the reach of children after unpacking it.

	WARNING: Danger of suffocation! Ensure that any plastic wrappings, bags, small pieces etc. are disposed of safely and kept out of the reach of children.
---	---

3. GETTING TO KNOW YOUR DISHWASHER



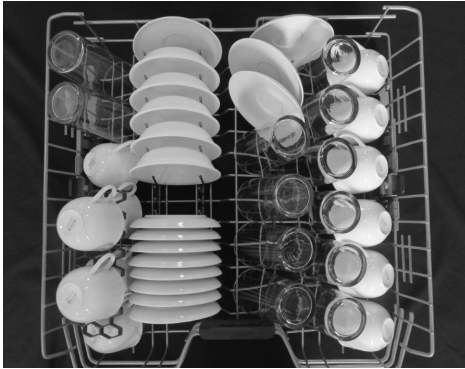
- 1. Upper basket
- 2. Upper impeller
- 3. Lower impeller
- 4. Cutlery basket
- 5. Door
- 6. Model and Serial Tag
- 7. Control panel
- 8. Detergent and rinse agent dispenser
- 9. Lower basket
- 10. Filters
- 11. Salt container (Select Models)
- 12. Upper basket rail
- 13. Upper cutlery basket (Select Models)
- 14. Tabletop (Select Models)
- 15. Turbo fan heat drying system (Select Models)



4. LOADING THE DISHWASHER

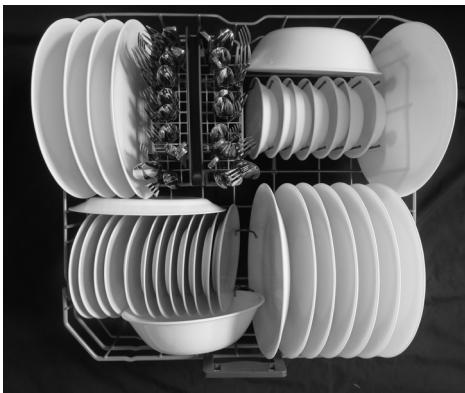
1. Pull the handle to open the door. If the door is opened during operation, the dishwasher will stop running. Once the door is closed the program will continue.
2. Remove coarse food leftovers from tableware.
3. Now you can load the dishwasher.

Upper rack (Standard Pattern)



Top rack load pattern for 12 place settings according to the AHAM DW-1 Standards

Lower rack (Standard Pattern)



Bottom rack load pattern for 12 place settings according to the AHAM DW-1 Standards

Upper rack (International Pattern)



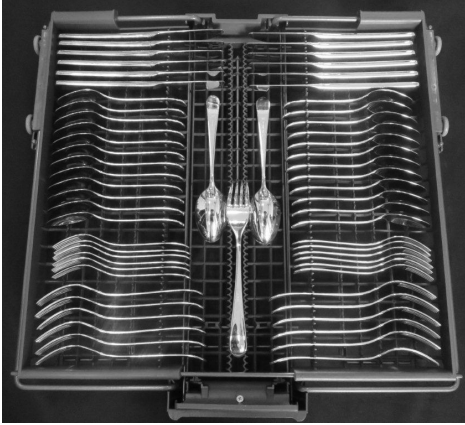
International Loading Pattern – Top rack (12 place settings)

Lower rack (International Pattern)



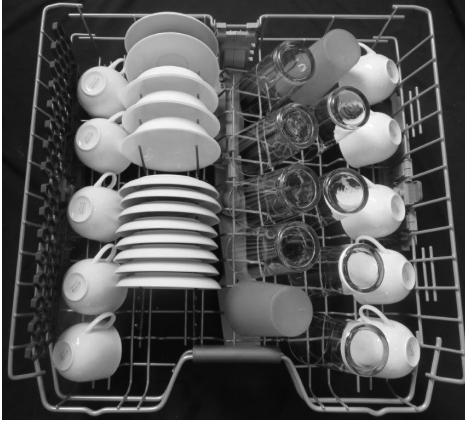
International Loading Pattern – Bottom rack (12 place settings)

Upper cutlery basket (Select Models)



International Loading Pattern – Upper cutlery basket (12 place settings)

Upper rack (Select Models)



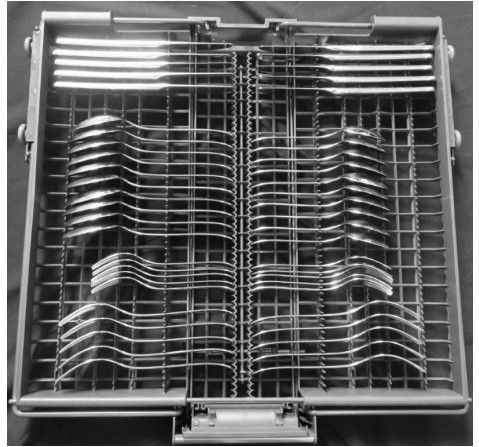
Additional Loading Pattern – Top rack (10 place settings)

Lower rack (Select Models)



Additional Loading Pattern – Bottom rack (10 place settings)

Upper cutlery basket (Select Models)



International Loading Pattern – Upper cutlery basket (10 place settings)



CAUTION: Large knives and other utensils with sharp tips and edges must be placed horizontally into the upper rack due to risk of injury. Other smaller knives and sharp utensils should be placed with sharp side down in the cutlery basket.



CAUTION: Use extreme caution when removing knives and other sharp utensils from the dishwasher. These items may have shifted position during the wash program, and may be wet or slippery.



CAUTION: Hot steam can escape! Danger of serious burns or other injury.

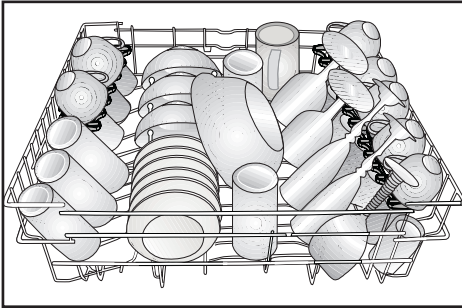


NOTICE: 3rd basket should be removed out of the dishwasher during the tests according to AHAM DW-1.

- Do not overload your dishwasher and pay attention to manufacturer instructions regarding dishes which are appropriate for use in for a dishwasher. Only with suitable dishes (mentioned in section 5) will you obtain optimal washing results with a sensible use of energy.
- Your dishwasher holds a maximum of 12 place settings.
- Place all containers such as cups, glasses and pots into the dishwasher with the opening facing downwards (so that no water can collect).
- Small and light items can go into the upper rack.
- Long and narrow items are placed in the middle of the racks.
- Place all large and very dirty items in the lower rack.
- Load dishes accordingly and be careful when loading glasses so they do not hit each other during the wash cycle. Also, make sure that both wash arms are not in contact with any dishware.

4.1 UPPER RACK

Load the upper rack with dessert plates, cups, glasses etc.

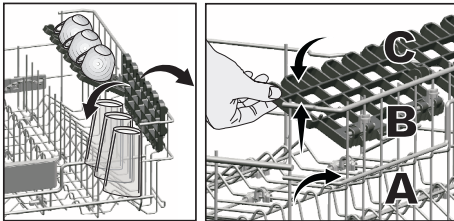


ADJUSTABLE SHELVES

(Select Models)

Depending on the size of the glasses and cups, the shelf height setting may be adjusted.

1. Fold the shelf upwards **A**.
2. Positioning at the desired height **B**.
3. Fold the shelf again downwards **C**.

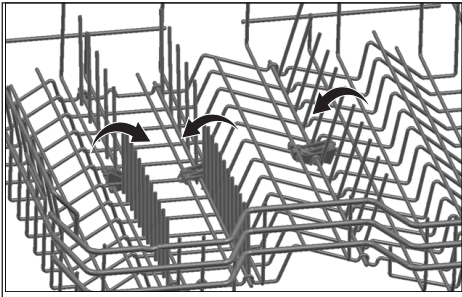


COLLAPSIBLE UPPER BASKET WIRES

(Select Models)

You can use collapsible wires when you need a larger space for your dishes in the upper basket of your machine.

To bring the collapsible wires into horizontal position, grab the wire from the middle position and push them in the direction of arrow in the figure. Place your larger dishes into the area created. To bring the wires back to vertical position, just lift them up.

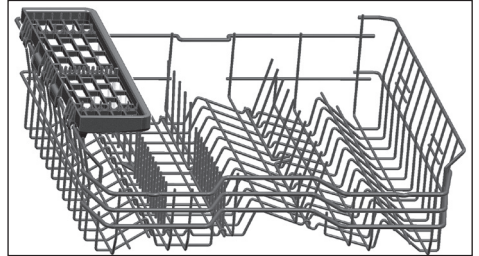


Bringing the wires to the horizontal position by holding them from the tips may cause them to bend. Therefore, hold the wires from their stems while bringing them to the horizontal or vertical positions.

UPPER BASKET MULTIPURPOSE SERVICE RACK

(Select Models)

This accessory located at the upper basket of your machine allows you to easily wash pieces such as extra long ladles and bread knives.



You can lift up the upper basket multipurpose service rack to remove it if you do not want to use it.



If you want to use the upper basket multipurpose service rack again, you can easily attach it to the side section of your upper basket.



ADJUSTING THE HEIGHT OF THE UPPER BASKET

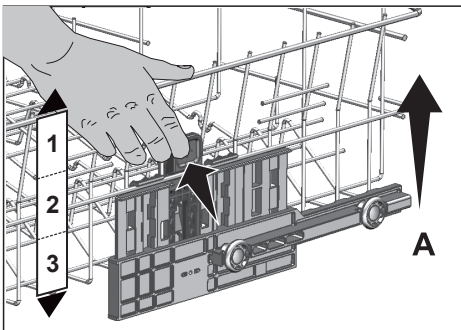
(Select Models)

The upper basket height adjustment mechanism has been designed for you to create large spaces in the lower or upper sections of your machine depending on your needs by adjusting the height in the upper or lower direction while your basket is empty or loaded.

Thanks to this mechanism, you can use your basket in three different positions, namely lower, middle and upper positions (1, 2, 3).

1. To raise your basket, hold the upper basket wires with both hands while the basket is in the lowermost position and pull them up (A).
2. You will hear a "Click" from the right and left mechanisms, indicating that the basket has reached the next level. Release the basket.

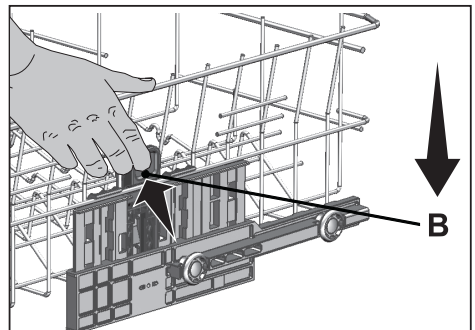
Repeat the process if the height is not sufficient.



To lower the basket, while it is in the uppermost position;

1. Hold the upper basket wires with both hands, slightly lift up the basket and simultaneously push and release the latches shown in the figure (B).
2. Lower the basket from its current position to the lower one.
3. Release the basket after it has reached one level down.

Repeat the process if the height is not sufficient.



i The movement mechanism may not function properly if the upper basket is overloaded or if the weight distribution is not balanced. In heavier conditions, there is the risk of falling one level down.

i Make sure that the adjustment mechanism has the same positions on the right and left sides of the upper basket.

HEIGHT SETTING

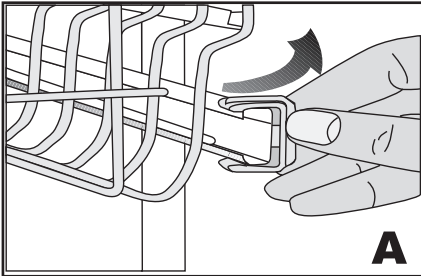
(Select Models)

In certain models, the height setting of the upper rack may be changed using the wheels which are present at two height levels.

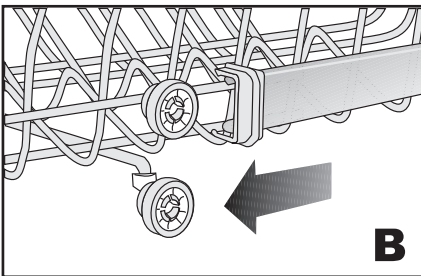


CAUTION: Make sure that the rack is empty. Changing the height setting while the rack contains tableware could cause the contents to dislodge, causing personal injury or damage to the tableware.

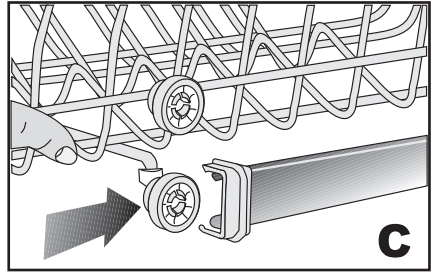
1. Release the latches on both the right and left tracks of the upper rack by turning them to the outside **A.**



2. Pull out the rack completely **B.**



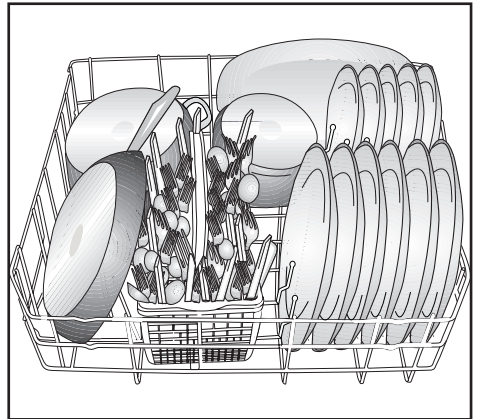
3. Place the rack into the tracks again at the desired height **C.**



4. Push the latches back into the correct position.

4.2 LOWER RACK

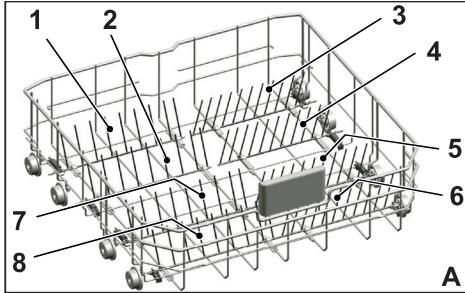
Use the lower rack for plates, bowls, pots etc.



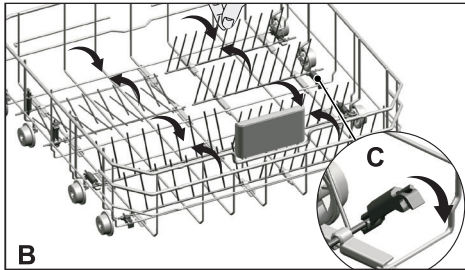
COLLAPSIBLE LOWER BASKET TINES

(Select Models)

There are foldable tines (A) located at the lower basket of the machine are designed for an easier placement of large pieces such as pans, bowls, etc. You can create larger spaces by folding each tines individually or all of them at once.



To bring the collapsible tines into horizontal position, grab the tines from mid position and push them in the directions of arrows (B). To bring the tines back to vertical position, just lift them up. Collapsible tines will click into the latch again (C).

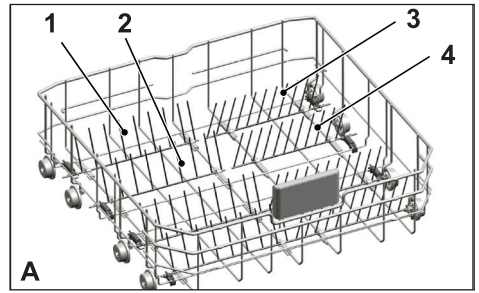


Bringing the tines to the horizontal position by holding them from the tips may cause them to bend. Therefore, it will be appropriate to bring the tines in the middle to horizontal or vertical position by holding them from their stems and pushing in the direction of arrow.

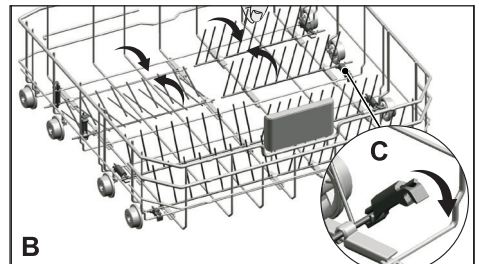
COLLAPSIBLE LOWER BASKET TINES

(Select Models)

There are foldable tines (A) located at the lower basket of the machine are designed for an easier placement of large pieces such as pans, bowls, etc. You can create larger spaces by folding each tines individually or all of them at once.



To bring the collapsible tines into horizontal position, grab the tines from mid position and push them in the directions of arrows (B). To bring the tines back to vertical position, just lift them up. Collapsible tines will click into the latch again (C).



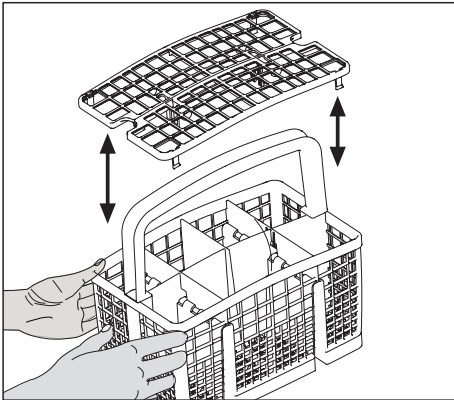
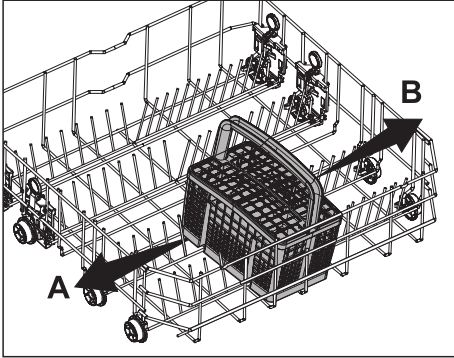
Bringing the tines to the horizontal position by holding them from the tips may cause them to bend. Therefore, it will be appropriate to bring the tines in the middle to horizontal or vertical position by holding them from their stems and pushing in the direction of arrow.

SILVERWARE BASKET

(Select Models)

Silverware basket is designed to wash your dishes such as knife, fork, spoon, etc. in an efficient manner.

Since the silverware basket can be moved (A, B), you can create more space while placing your dishes in the lower basket and free up space for your dishes of different sizes.

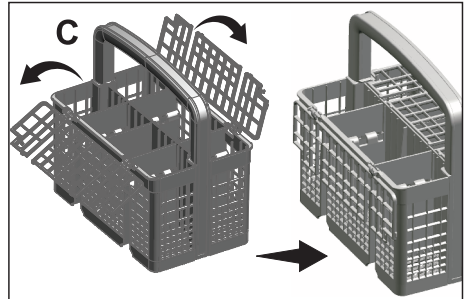
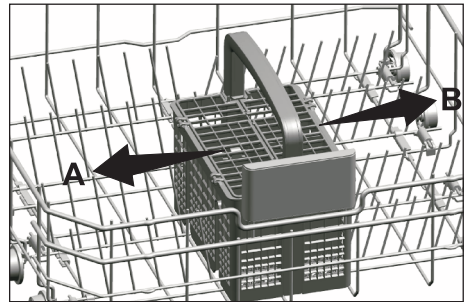


SILVERWARE BASKET

(Select Models)

Silverware basket is designed to wash your dishes such as knife, fork, spoon, etc. in a cleaner manner.

Since the cutlery basket can be moved (A, B), you can create a wider space while placing your dishes to the lower basket and free up space for your dishes in different sizes.



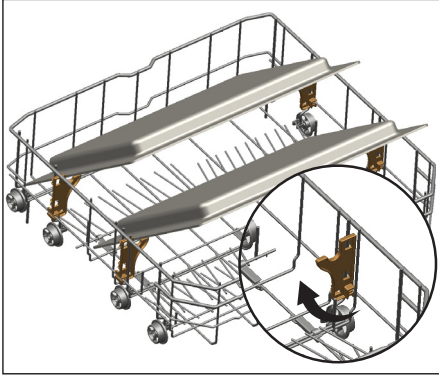
NOTICE: When finished, test to ensure that the spray arm can still move freely.

TRAY WASH SUPPORTS

(Select Models)

Use the supports to wash trays in the bottom basket.

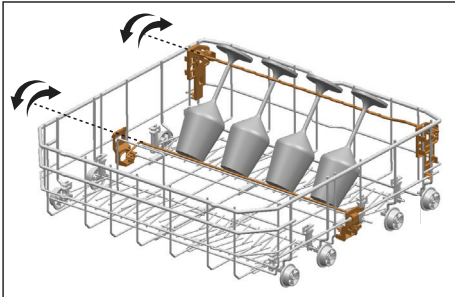
See the Auxiliary functions section for appropriate program and function selection.



LOWER BASKET GLASS HOLDER

(Select Models)

Lower Basket Glass Holder found in the lower basket of your machine enables a safe washing for your oversized and tall glasses.



SOFTTOUCH ACCESSORY

(Select Models)

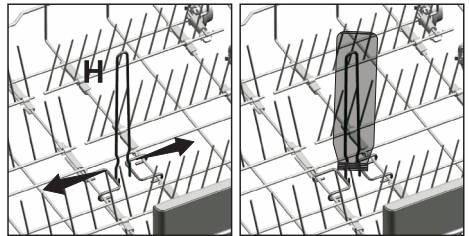
The SoftTouch Accessory found in the lower basket of your machine enables a safe washing for your fragile glasses.



LOWER BASKET BOTTLE WIRE

(Select Models)

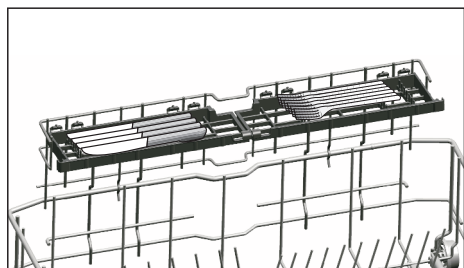
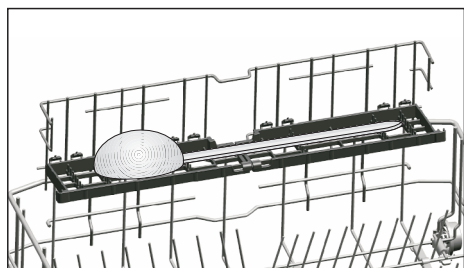
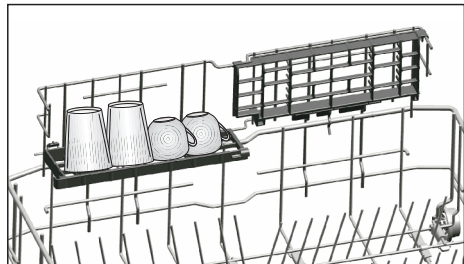
The bottle wire is designed for easier washing of long pieces with wide mouths. You may take out the bottle wire from the basket when not in use by pulling it out from both sides (H).



LOWER BASKET MULTIPURPOSE / HEIGHT ADJUSTABLE SERVICE RACK

(Select Models)

This accessory located at the lower basket of your machine allows you to easily wash pieces such as extra glasses, long ladles and bread knives.



You may use the racks as required by moving them to lower or upper position, or close them to create a wider space in your lower basket.

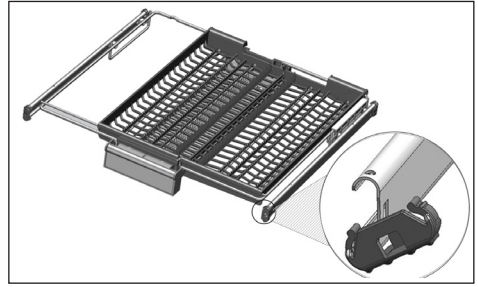
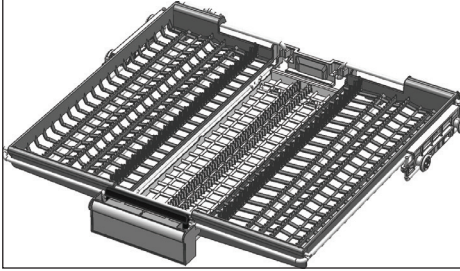


Make sure that the impeller does not touch the dishes you placed on the racks.

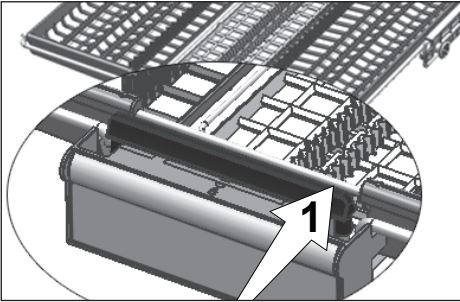
CEILING CUTLERY BASKET

(Select Models)

Ceiling cutlery basket is designed to wash your cutlery items such as forks, spoons and etc. by placing them between the bars on the basket.

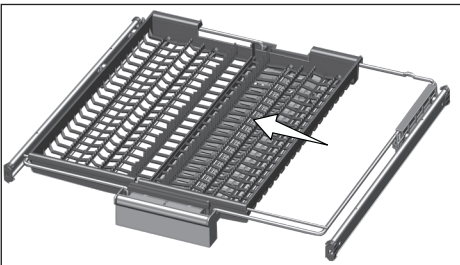
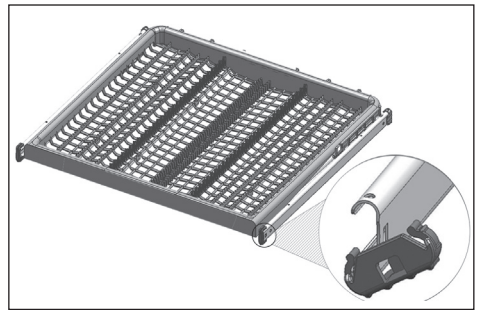


When the central tray is in the lower position, you can load long/high items such as coffee cups, ladles, etc. on the tray. When the side trays lean on two side walls, the handle can be pulled to allow the central tray to rise and the system to be locked.

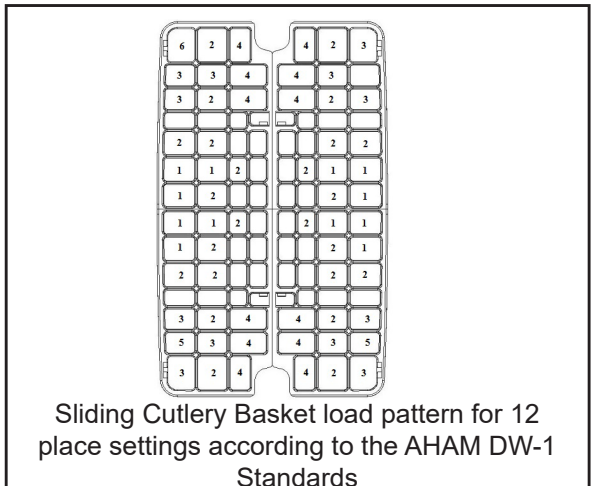
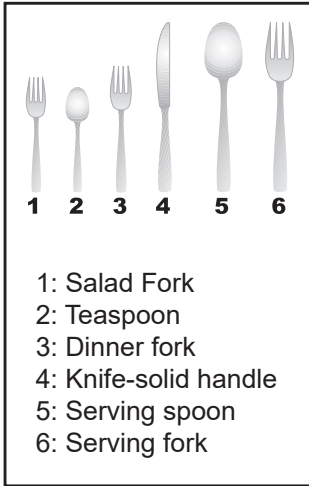


In models with partial movement feature, pushing the bar (1) on the handle enables the central tray of the basket to get to the lower position and the system gets unlocked. Thus right and left side trays can be used as moving parts.

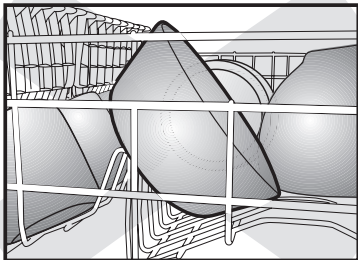
The free space enabled by the side trays allows long parts to be loaded in the upper basket.



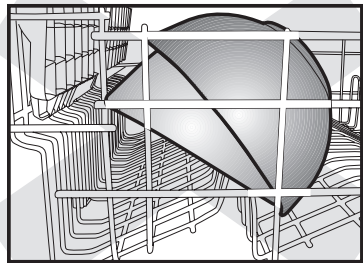
4.3 PROPER AND IMPROPER LOADING OF DISHWARE



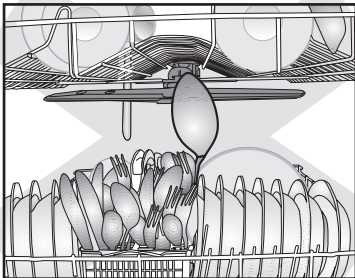
- Place all containers such as cups, glasses and pots into the dishwasher with the opening facing downwards (so that no water can collect).
- The movement of the spray arms must not be hindered.
- Do not overload your dishwasher.
- Only with suitable dishes (mentioned in section 5) will you obtain optimal washing results with a sensible use of energy.



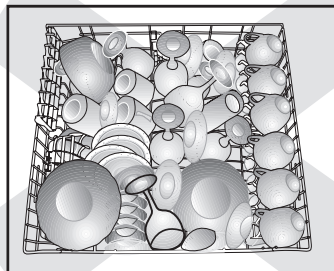
incorrect



incorrect



incorrect



incorrect

5. WHAT SHOULD NOT BE WASHED IN YOUR DISHWASHER

- Rust-sensitive steel parts like iron and cast iron that can rust and stain other utensils and damage the interior stainless steel liner of the dishwasher and void the warranty. Do not wash copper, brass, pewter, bronze or tin.
- Cutlery with wooden or horn handles and cutlery with mother-of-pearl or porcelain handles will deteriorate over time if put in the dishwasher.
- Plastics may lose their shape or color with hot water, please follow the instructions of plastic manufacturers. Be sure that plastic items are marked “dishwasher safe”.
- Glued dishes or cutlery are not suitable for machine washing since certain adhesives may get soft or dissolve with hot water.
- Aluminum may fade over time. Minerals in water and detergent may cause the aluminum to darken or spot.
- Sterling silver articles should not be washed in the dishwasher because they tend to discolor and become dull by dishwasher detergent.
- Silverware and stainless steel items should not be in contact with each other. Mixing these items can cause staining. Remove and hand dry these items immediately when the program ends.
- Decorated glasses, porcelain, fine china and china with gold rims are sensitive to machine washing. They may lose their patterns and colors over time.

- Crystal and very fine glassware may become opaque (etch) losing their shine over time. You may prefer to wash them by hand.
- Do not wash sponges or dish cloths in dishwasher.
- Do not wash art and craft articles in dishwasher.
- Disposable plastics and disposable aluminum cannot withstand high temperatures; do not wash them in the dishwasher.



CAUTION: If in doubt, wash by hand or follow the instructions from the manufacturer of utensils, dishes, glasses or pots and pans.

Do not wash items soiled with cigarette ash, candle wax, varnish, paints or chemicals since they can damage your dishwasher.



NOTICE: We recommend when buying new dishware, try to choose ones that are suitable for machine washing (marked as dishwasher safe).

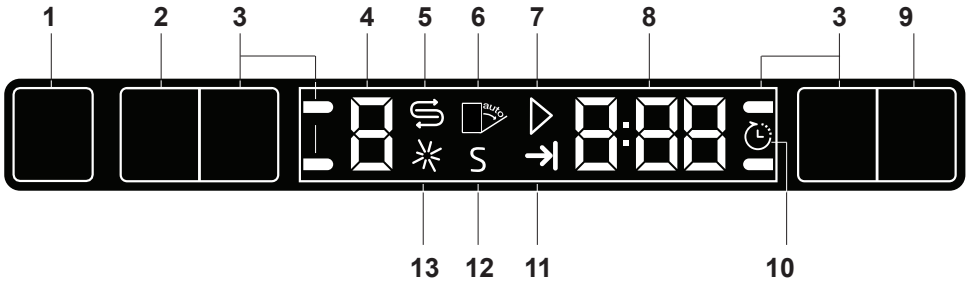
CARING FOR YOUR TABLE-WARE

The combination of high temperatures and dishwasher detergent may cause damage to some items if they are washed in the dishwasher. Remember, if there is any doubt about any aspect concerning items to be washed in the dishwasher, follow the instructions from the manufacturer of the items, or wash the items by hand.

6. OPERATING THE PRODUCT



NOTICE: If you do not perform any operation after switching on the machine, it will be automatically switched off within 5 seconds.



1. On/Off key
2. Program Selection / Program Cancel (3 seconds) key
3. Function keys & indicators
 - F1 Half Load Function
 - F2 Extra Rinse function
 - F3 Rapid Clean Function
4. Program indicator
5. Salt indicator (Select Models)
6. (Not in use)
7. Start / Cancel indicator
8. Time Delay / Program Time indicator
9. Time Delay key
10. Time Delay indicator
11. End of Program indicator
12. (Not in use)
13. Rinse Aid indicator

6.1 KEYS

On/Off key

When you press On / Off key, indicator lights illuminate on the display for ON position. The lights turn off in OFF position.

Program Selection / Program Cancel key

Press this key until the desired program appears in the program indicator.

To cancel the running program open the door of the product. Press and hold the Program Selection / Program Cancel keys for 3 seconds. After the 3 - 2 - 1 countdown, 0:01 is displayed, close the door of the product and wait for the draining process complete. Draining is completed in 2 minutes and the machine gives an audible warning when it is completed.

Function keys

If you press any of the Function keys during program selection or time delay selection, an affirmative key signal will be heard provided that the relevant function is supported by the selected program. Function will be deemed selected when the indicator of the selected function is lit.

To cancel the selected function, keep the function key pressed until the function indicator disappears.

6.2 PREPARING THE MACHINE

1. Open the door of the dishwasher.
2. Place the dishes in accordance with the instructions in the user manual.
3. Make sure that the upper and lower Wash Arms rotate freely.
4. Put adequate amount of detergent into the detergent dispenser.

6.3 PROGRAM SELECTION

1. Press the On/Off button to turn on your machine.
2. Check the Salt and Rinse Aid indicators and add salt and/or rinse aid if needed.
3. Refer to the table of "Program Table" to determine a washing program suitable for your dishes.
4. Selected program will start when you close the door of your machine.

PROGRAM TABLE

Program number	0	1	2	3	4	5
Program name	ProCate	Pots & Pans+	Regular Wash *	Quick & Dry	Quick Wash	Rinse & Hold
Wash Temperatures	72 (°C) 160 (°F)	70	50-55	47	45	0
Rinse Temperatures	70 (°C) 140 (°F)	72 158	61-67 142-157	71	55 131	0
Degree of dirtiness	-	High	Medium	Few - Medium	Few	-
Detergent in dispenser section	15 ml 15-25 ml + 5 ml	- + +	- + +	- + +	- - -	- - -
Recommended detergent amount	Hard water	40	25-40	25-40	15-25	-
	Medium water	8	5-8	5-8	3-5	-
	Soft water	-	40	25	15	-
		-	8	5	3	-
Wash		25-40	15-25	15-25	15	-
		-	5-8	3-5	3-5	3
Main wash	-	+	+	-	-	+
Dry	-	+	+	+	+	-
Sanitize	-	+	+	+	-	0
Duration (minutes)	75	122	100-135	58	35	15
Water (liters)	15,2	20,2	8,8-21,2	10,4	11,6	4,2
Water (gallons)	3,80	5,34	2,32-5,60	2,70	3,10	1,10

The consumption values shown in the table were determined under standard conditions. For this reason, deviations are possible under practical conditions. * The energy-usage label is based on this program.

6.4 AUXILIARY FUNCTIONS

Washing programs of your dishwasher are designed to obtain the best cleaning effect, considering the type of the soiling, soiling degree and properties of the dishes to be washed. Auxiliary functions allow you save from time, water and power.



Auxiliary functions may cause changes in the program duration.



Auxiliary functions are not suitable for all washing programs. Indicator of the auxiliary function that is not compatible with the program will not be active.

Half Load function

It is used to operate the machine without loading it completely.

1. Load your dishes in the machine as you like. You can use both upper and lower racks.
2. Turn the machine on with On/Off key.
3. Select the desired program and press the Half Load key. The Half Load indicator will light on the display in the Function Selected indicator.
4. Close the door of the machine to start the program.

Extra Rinse function

Depending on the type of the detergent used, if a detergent dissolving issue is encountered it will remove the resulting stains from the dishes and enables the optimum rinsing performance.

Rapid Clean Function

It shortens the time of the washing cycle selected and decreases water consumption by enabling washing under higher pressure.

Interior Lighting

(Select Models)

Some models have interior lighting to illuminate the interior when the door is opened.

Changing the interior lighting setting

1. After turning on the machine, press Time Delay and P+ keys simultaneously. Continue to press until the countdown 3, 2, 1 is completed on the display.
2. Press P+ key to activate the L: option. The interior lighting is turned off at "L:0" option and turned on at "L:1" option. Set the desired option with the Time Delay key.
3. Turn off the machine with On/Off key to save the changes.

Automatic Detergent Detection Feature

The product has a feature to automatically detect the type of the detergent and adjust the washing programme and drying system to the best performance. If special tablet detergent is used, the programme duration can be extended by 20 minutes in order to optimize the washing and drying performance.



Notice: Automatic detergent detection feature should be deactivated during the tests according to AHAM DW-1.

To deactivate:

1. After turning on the machine, press Time Delay and P+ keys simultaneously. Keep them pressed until the countdown 3, 2, 1 is completed on the display.
2. Press P+ key to activate the a: option. Automatic detergent detection feature is disabled at "a:0" option and enabled at "a:1" option. Set the desired option by pressing the Time Delay key.
3. Turn off the machine with On/Off key to save the changes.

Floor illumination Illuminates to show program is still running.

(Select Models)

Your machine reflects a light to the floor during the washing process. This light turns off after the washing process is complete.



Floor illumination cannot be cancelled by the user.

Changing Warning Sound Volume

1. After turning on the machine, press Time Delay and P / P+ keys simultaneously. Keep them pressed until the countdown 3, 2, 1 is completed on the display.
2. Press P / P+ key to activate the S: position.
3. Each pressing on the Time Delay key will change the warning sound volume as "S:0" off, "S:1" medium and "S:2" high.
4. Turn off the machine with On/Off key to save the changes.



Factory setting of your machine is "S:2".

6.5 SCHEDULING THE WASHING TIME

Time Delay

If an economical electricity tariff is applied in your region, you can use the Time Delay function to wash your dishes during appropriate hours. You can delay the start of the selected program until 24 hours.

1. Press the Time Delay function key after selecting the washing program and other auxiliary functions.

2. Once you press the Time Delay key, Display Information Line will show "0:30" and Time Delay indicator will start flashing.
3. Set the desired time by pressing the Time Delay key. Time will increase with increments of 30 minutes up to 6 hours and after that in 1 hour increments up to 24 hours every time you press the key.
4. Close the door of your machine after setting the Delayed Start. Once the delay time is over, the selected program will start automatically.

Changing the settings while Time Delay function is active

While the Time Delay function is activated, you cannot make changes in the washing program, auxiliary functions or the duration of delay time.



Program and auxiliary functions cannot be set/changed after the program has started.

To cancel the Time Delay function

Open the door of the product Press and hold the Program Selection / Program Cancel keys for 3 seconds. After the 3 - 2 - 1 countdown, 0:01 is displayed, close the door of the product and wait for the draining process complete. Draining is completed in 2 minutes and the machine gives an audible warning when it is completed.



You can select and start a new program following the cancellation of Time Delay function.



Time Delay function cannot be set after the program starts.

6.6 STARTING THE PROGRAM

Close the door of your machine to start it after selecting the program and auxiliary functions.



Select Models:
Your machine performs water softening depending on the hardness level of the supply water. Washing time can change while the program is running depending on the ambient temperature where your machine is installed, temperature of the supply water and amount of the dishes.



Pay attention not to open the door of the machine when it is running. There may be a rush of vapour when you open the door of your machine; be careful.



The machine will be switched off if no button is pressed within 5 seconds after opening the door while the machine is running.



After the door has been opened, if any button is pressed within 5 seconds and the door is closed, the selected program resumes; otherwise, the machine will be switched off. Open the door after the machine has been switched off, press On/Off button and close the door within 5 seconds. The program will resume washing.



The machine will remain silent in pause mode for some time in order to remove the water from the machine and on the dishes completely and to have the water softener cleaned, and then it will resume running in drying mode.

6.7 CANCELLING THE PROGRAM

Open the door of the product press and hold the Program Selection / Program Cancel keys for 3 seconds. After the 3 - 2 - 1 countdown, 0:01 is displayed, close the door of the product and wait for the draining process complete. Draining is completed in 2 minutes and the machine gives an audible warning when it is completed.



There might be residues of detergent or rinse aid in the machine and/or on the pieces being washed depending on the step the program you have cancelled was in.

6.8 SALT INDICATOR (⚖)

(MODEL DEPENDING)

Please check the salt indicator on the display to see whether there is adequate amount of softening salt in the dishwasher or not. You need to refill the salt reservoir with salt whenever salt indicator appears on the display of your machine.



Adjusting the water hardness level is explained in Water Softening System section.

6.9 RINSE AID INDICATOR (☼)

Please check the rinse aid indicator on the display to see whether there is adequate amount of rinse aid in the dishwasher or not. You need to refill the rinse aid reservoir with rinse aid whenever rinse aid indicator appears on the display of your machine.

Adjusting the amount of rinse aid

1. After turning on the machine, press Time Delay and P+ keys simultaneously. After the countdown (3, 2, 1) is displayed keep the keys pressed for a while.
2. Press P+ to move to position (P) on the display.
3. Set to the appropriate level with the Time Delay key.
4. Press On / Off key to save the setting.

No rinse aid dispensed in P:0 wash position.

1 dose of rinse aid is dispensed in P:1 position.

2 doses of rinse aid are dispensed in P:2 position.

3 doses of rinse aid are dispensed in P:3 position.

4 doses of rinse aid are dispensed in P:4 position.

6.10 END OF PROGRAM



When the program you have selected comes to an end, an audible warning signal will warn you to turn off your machine. This audible signal will warn you with certain intervals before it turns off.

End of Program indicator will light up when the washing program is over.

1. Open the door of the machine.
2. Press On/Off key to turn off your machine.
3. Close the tap.
4. Unplug the machine from the socket.



For energy saving, the machine is automatically turned off following the completion of the program or if the program is not started.



Leave your dishes in the machine for about 15 minutes to allow them cool down after they are washed. Your dishes will dry in a shorter time if you leave the door of your machine ajar during this period. This process will increase the drying effectiveness of your machine.

detect this and E:01 icon will flash on the Program indicator. As long as the overflowing continues safety algorithm will be active and try to discharge the water. If overflowing stops and safety is assured, E:01 icon will disappear. If E:01 does not disappear, there is a permanent fault. In this case the authorised service should be contacted.

ProCare

This program is recommended to be operated on each 1-2 months for machine cleaning and necessary hygiene. The program should be operated while the machine is empty. In order to achieve an efficient result, it is recommended to use together with special machine cleaning agents.



Do not use this program to clean dishes. As it operates in high temperatures, it is harmful for the dishes.

6.11 WATER CUT-OFF WARNING

If mains water is cut or water inlet tap is turned off the machine cannot take water in and E:02 icon will flash on the program indicator. As long as the problem continues, washing program is paused and the water inlet is checked regularly by the machine; when the water is restored E:02 icon will disappear after a while and the washing program resumes.

6.12 OVERFLOWING WARNING

If the machine intakes too much water or there is leakage at any of the components then the machine will

7. DETERGENT

You can use powder, liquid/gel or tablet detergents in the machine.



Only use in the machine the detergents produced particularly for use with dishwashers. We recommend you not to use detergents that contain chlorine and phosphate as they are harmful for the environment.

7.1 ADDING DETERGENT



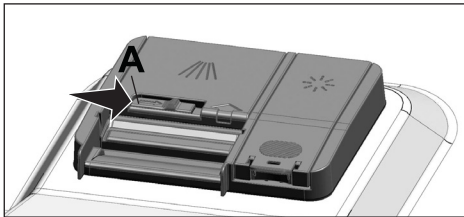
Pay attention to the warnings on the detergent packaging to get better washing and drying results. Contact the manufacturer of the detergent for further questions.



Do not put solvents into the detergent dispenser. There is the risk of explosion!

Put the detergent into the detergent dispenser just before operating the machine as illustrated below.

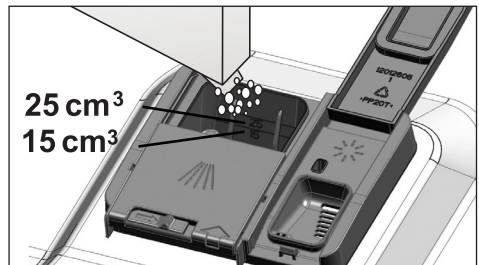
1. Push the latch to right to open the detergent dispenser lid (A).



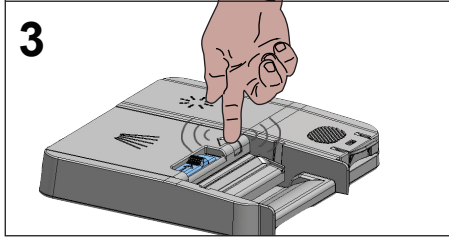
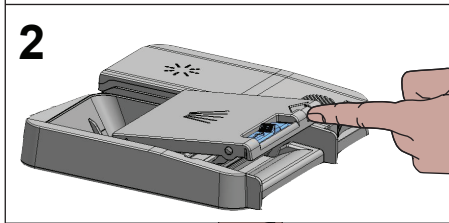
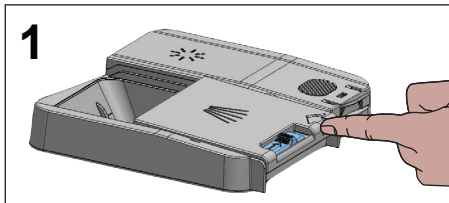
2. Put suggested amount of powder, liquid/gel or tablet detergent in the reservoir.



Inside the detergent dispenser there are level markings that help you use appropriate amount of powder detergent. When brimful, detergent dispenser will contain 1.5 Ounces (45 cm³) of detergent. Fill detergent up to .5 Ounces (15 cm³) or .85 ounces (25 cm³) level marks in the detergent dispenser according to fullness of the machine and/or soiling degree of the dishes. One tablet is enough if you are using detergent tablets.

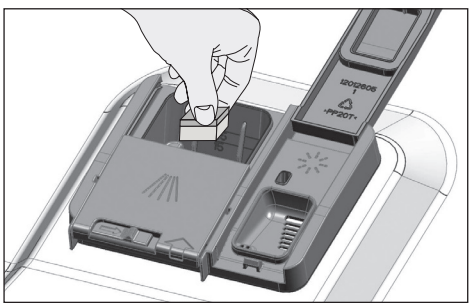


3. Push the lid of the detergent dispenser to close it. A "click" will be heard when the lid is closed.



i Use powder or liquid/gel detergent in short programs without prewash since the solubility of the tablet detergent changes depending on the temperature and time.

i The best washing performance in dishwashers is obtained by using detergent, rinse aid and water softening salt individually.



i Observe the instructions of the detergent manufacturer on the package when using tablet detergents.

i Contact the detergent manufacturer if your dishes are wet and/or if you notice limescale spots particularly on your glasses after the washing program is over when using a tablet detergent.

7.2 TABLET DETERGENTS

In addition to the conventional tablet detergents, there are also commercially available detergent tablets that show water softening salt and/or rinse aid effect. Some types of these detergents contain special-purpose components such as glass and stainless steel protectors. These tablets show their effects up to a certain water hardness level (59 gpg). Water softening salt and rinse aid must also be used together with the detergent if the water hardness level is above the mentioned level.

When you switch to powder detergent from tablet detergent:

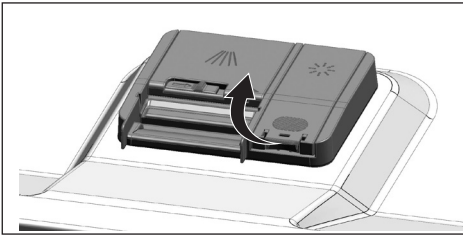
1. Make sure that salt (Select Models) and rinse aid reservoirs are full.
2. Set the water hardness to the highest level and perform an empty run.
3. After the empty washing cycle, review the user manual and readjust the water hardness level so as to suit the water supply.
4. Make the appropriate rinse aid settings.

7.3 RINSE AID

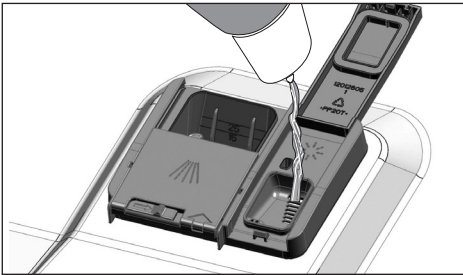


The rinse aid used in dishwashers is a special combination that aims to increase drying efficiency and prevent water or lime stains on the washed items. For this reason, care must be paid to have rinse aid in the rinse aid reservoir and to use rinse aids produced specially for dishwashers only.

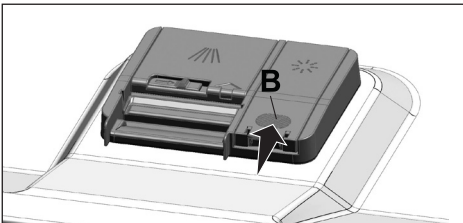
1. Open the lid of the rinse aid reservoir with the help of the latch.



2. Fill the reservoir until "MAX" level.



3. Slightly press the point (B) of the reservoir lid to close it.



4. If there are stains on tableware items after washing, level must be increased and if there is a blue trace after wiping them by hand, it must be decreased. This is set to position 3 as factory default.



The rinse aid adjustment is described under "Adjusting the amount of rinse aid" in the section for operating the machine.



Wipe clean any spilled rinse aid outside the reservoir. Rinse aid that spilled accidentally will cause foaming and it will eventually decrease washing performance.

10. CARE AND MAINTENANCE



WARNING: Before cleaning or carrying out maintenance, switch off the appliance, disconnect the mains plug and turn off the water tap.



WARNING: Do not repair or replace any part of the dishwasher or attempt any servicing unless specifically recommended by this manual. We recommend that the dishwasher only be repaired by an authorized service agent.



CAUTION : To avoid the possibility of slipping, keep the floor around the dishwasher clean and dry. Keep your appliance free from the accumulation of combustible materials, such as lint, rags, and chemicals. If the dishwasher is not in use for an extended period of time, we recommend you check that the baskets are empty, leave the inside of the dishwasher clean, the door cracked open to allow air to circulate, turn off both the power and water supply to the dishwasher.

10.1 CARING FOR YOUR DISHWASHER EXTERIOR



CAUTION : Possible dishwasher damage: Abrasive cleaners, scouring pads, abrasive cloths (paper towels) can damage the dishwasher decorative door.

Cleaning the control panel: Use only soft cloth that is lightly dampened with mild detergent. Clean the control panel only with a moist cloth and clear water.

Cleaning the colored doors: Use only soft cloth that is lightly dampened with mild detergent.

Cleaning the stainless steel doors: Use a soft cloth with a cleaner made for cleaning stainless steel. For the best results, apply the stainless steel cleaner to a soft cloth and wipe the surface in the direction of the grain.

Cleaning the door gasket: Regularly clean the door gasket with a damp cloth to remove food particles and other debris. Use a gentle household cleaner for the outside and the door seals, and rinse thoroughly.

10.2 CARING FOR YOUR DISHWASHER INTERIOR



NOTICE: Cleaning your dishwasher at regular intervals ensures longer product life and reduces the risk of recurring problems. Always disconnect the power to machine before cleaning.

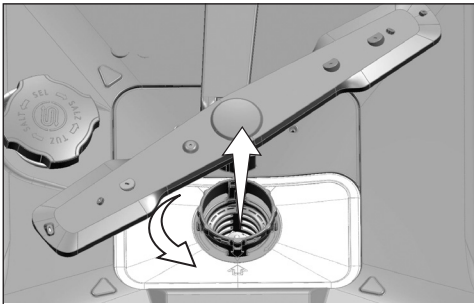


CAUTION : When cleaning the underside of the main filter, care must be taken on the sharp outer edge to avoid the risk of cut type injuries.

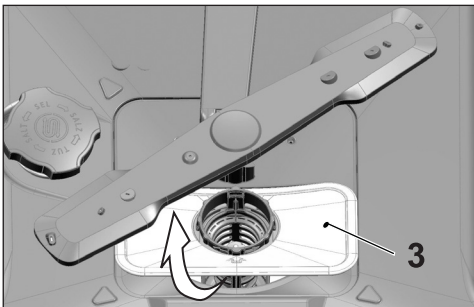
10.3 CLEANING THE FILTERS

Clean the filters at least once a week in order for the machine operates efficiently. Check if food residues are left on the filters. If there are food residues on filters, take them out and clean well under running water.

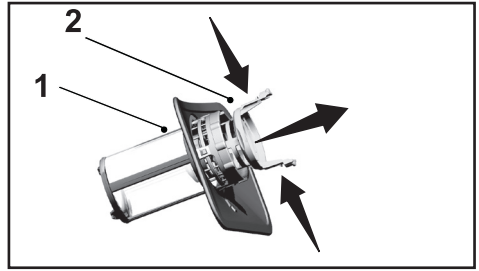
1. Turn the micro filter (1) and coarse filter (2) assembly counterclockwise and pull it out from its seating.



2. Pull out the metal / plastic filter (3) from the seating.



3. Press the two pawls on the coarse filter inwards and separate the coarse filter from the assembly.



4. Clean all three filters under tap water by means of a brush.
5. Replace the metal/plastic filter.
6. Place the coarse filter into the microfilter. Make sure that it is properly seated. Turn the coarse filter clockwise until a “click” sound is heard.



Do not use the dishwasher without filter.



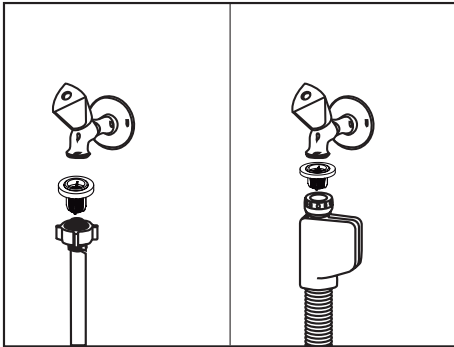
Incorrect placement of the filters will reduce washing efficiency.

10.4 CLEANING THE HOSE FILTER

Damages on the machine that may be caused by impurities coming from the urban supply water or your own water installation (such as sand, dirt, rust, etc.) can be prevented by means of the filter attached to the water inlet hose. Check the filter and the hose regularly and clean them if necessary.

1. Turn off the tap and remove the hose.
2. After taking out the filter, clean it under running tap water.
3. Place the cleaned filter back to its seat in the hose.
4. Install the hose to tap.

(Select Models)

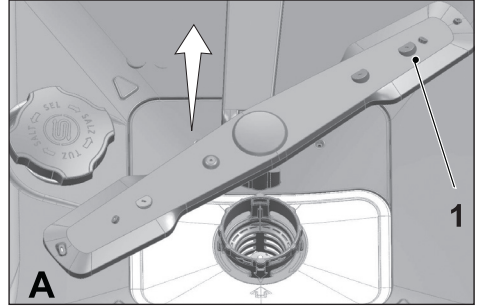


10.5 CLEANING THE WASH ARMS

Clean the wash arms at least once a week in order for the machine operates efficiently.

LOWER WASH ARMS

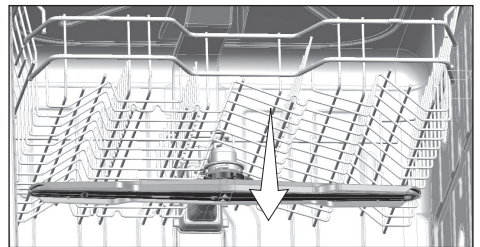
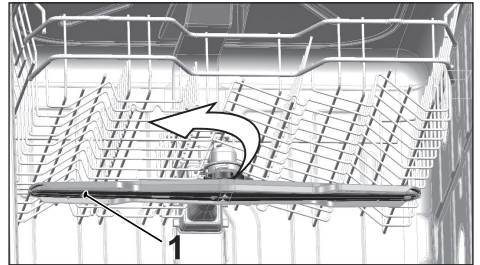
Check if the holes on the lower wash arms (1) are clogged. If they are clogged, remove and clean the impeller. Pull the lower wash arms up to remove it.



UPPER WASH ARMS

Check if the holes on the upper impeller (1) are clogged. If they are clogged, remove and clean the wash arms. Turn its nut to left to remove the upper wash arms.

Make sure that the nut is tightened well when installing the upper wash arms.



11. TROUBLESHOOTING

Machine does not start.

- Power cable is unplugged. >>> Check if the power cable is plugged in.
- Circuit Breaker is blown. >>> Check the Circuit Breaker in your house.
- Water is cut. >>> Make sure that the water inlet tap is open.
- Door of the machine is open. >>> Make sure that you have closed the door of the machine.
- On / Off button is not pressed. >>> Make sure that you have turned on the machine by pressing the On / Off button.

Dishes are not washed clean

- Dishes are not placed orderly in the machine. >>> Load the dishes as described in the user manual.
- Selected program is unsuitable. >>> Select a program with a higher temperature and cycle time.
- Wash arms are stuck. >>> Prior to starting the program, turn the lower and upper Wash arms by hand to make sure that they rotate freely.
- Wash arms holes are clogged. >>> Lower and upper Wash arms holes might be clogged with small food particles and debris. Clean the Wash arms regularly as illustrated in section “Cleaning and Care”.
- Filters are clogged. >>> Check if the filter system is clean. Clean the filter system regularly as illustrated in section “Cleaning and Care”.
- Filters are installed incorrectly. >>> Check the filter system and make sure that it is installed correctly.
- Baskets are overloaded. >>> Do not overload the baskets in excess of their capacity.
- Detergent is stored under unsuitable conditions. >>> If you are using powder detergent, do not store the detergent package in humid places. Keep it in a closed container if possible. For ease-of-storing, we recommend you to use tablet detergents.
- Detergent is not sufficient. >>> If you are using powder detergent, adjust the amount of detergent according to the soiling degree of your dishes and/or program definitions. We recommend you to use tablet detergents for optimum results.
- Rinse aid is not sufficient. >>> Check the rinse aid indicator and add rinse aid if necessary. Increase the rinse aid setting if there is enough amount of rinse aid in the machine.
- Detergent dispenser lid is left open. >>> Make sure that the detergent dispenser lid is closed tightly after adding detergent.

Dishes are not dry at the end of cycle

- Dishes are not placed orderly in the machine. >>> Place your dishes in a way that no water will accumulate in them.
- Rinse aid is not sufficient. >>> Check the rinse aid indicator and add rinse aid if necessary. Increase the rinse aid setting if there is enough amount of rinse aid in the machine.
- Machine is unloaded right after the program is over. >>> Do not unload your machine right after washing process is completed. Slightly open the door and

wait for evacuation of the steam inside for a while. Unload the dishes after the pieces cool down to a touchable level. Start unloading process from the lower basket. Thus, dropping of water remained on a piece at upper basket onto the pieces at lower basket is prevented.

- Selected program is unsuitable. >>> Since rinsing temperature is low at program with short duration, drying performance will also be low. Select program with longer duration for a higher drying performance.
- Surface quality of the kitchen utensils is deteriorated. >>> Desired washing performance can not be obtained at kitchen utensils with deteriorated surfaces and it is not suitable to use such utensils in terms of hygiene as well. Also, water can not flow easily on deteriorated surfaces. It is not recommended to wash such kitchen utensils in dishwasher.



It is normal that drying complaints can be experienced with Teflon kitchen utensils. It is associated with the structure of Teflon. Since the surface tensions of Teflon and water are different, water droplets will remain as beads on the Teflon surface.

Stains remaining on dishes when cycle has completed.

- Selected program is unsuitable. >>> Select a program with a higher temperature and cycle time.
- Surface quality of the kitchen utensils is deteriorated. >>> Tea and coffee stains or other dye spots may not be cleaned in dishwasher when they have penetrated in deteriorated surfaces. Desired washing performance can not be obtained at kitchen utensils with deteriorated surfaces and it is not suitable to use such utensils in terms of hygiene as well. It is not recommended to wash such kitchen utensils in dishwasher.
- Detergent is stored under unsuitable conditions. >>> If you are using powder detergent, do not store the detergent package in humid places. Keep it in a closed container if possible. For ease-of-storing, we recommend you to use tablet detergents.

Lime traces remain on dishes and glassware gains a misty appearance

- Rinse aid is not sufficient. >>> Check the rinse aid indicator and add rinse aid if necessary. Increase the rinse aid setting if there is enough amount of rinse aid in the machine.
- Water hardness setting is low or salt level is insufficient >>> Measure the hardness of the supply water appropriately and check the water hardness setting.
- Salt leakage exists. >>> Pay attention not to spill salt around the salt filling hole while adding salt. Make sure that the salt reservoir lid is tightly closed after finishing the filling process. Run the prewash program to remove the salt that spilled inside the machine. Since the salt granules that will remain under the lid will dissolve during prewash, causing the lid loosen, check the lid once again at the end of the program.

There is a different odor in the machine



A new machine has a peculiar odor. It will fade out after a couple of washing.

- Filters are clogged. >>> Check if the filter system is clean. Clean the filter system regularly as illustrated in section “Cleaning and Care”.
- Dirty dishes are kept in dishwasher for 2-3 days. >>> If you are not going to start the machine right after you have put the dishes into it, remove the remnants on the dishes and run the Prewash program without detergent every 2 days. In such cases, do not close the door of the machine completely in order to avoid odor build up in machine. You can also use commercially available odor removers or machine cleaners.

Rust, discoloration or surface deterioration occurs on dishes

- Salt leakage exists. >>> Salt may cause deterioration and oxidation on metal surfaces. Pay attention not to spill salt around the salt filling hole while adding salt. Make sure that the salt reservoir lid is tightly closed after finishing the filling process. Run the prewash program to remove the salt that spilled inside the machine. Since the salt granules that will remain under the lid will dissolve during prewash, causing the lid loosen, check the lid once again at the end of the program.
- Salty food remnants have remained on dishes for a long time. >>> If silverware soiled with such foods will be kept waiting in machine, dirt must be removed by prewash or dishes must be washed without being kept waiting.
- Electric installation is not grounded. >>> Check if your machine is connected to the actual grounding line. Otherwise, the static electric created in the product causes arcs on the surfaces of metal items creating pores, removing the protective cover on the surface and causing discoloration.
- Intensive cleansers such as bleaches are used. >>> Protective cover on metal surfaces gets damaged and loses its efficiency in time when it gets in contact with cleansers such as bleach. Do not wash your dishes with bleach.
- Metal items particularly such as knives are used for purposes other than their intended uses. >>> Protective cover on the edges of knives may get damaged when they are used for purposes such as opening cans. Do not use metal kitchen utensils out of their intended uses.
- Silverware are made of low quality stainless steel. >>> Corrosion on such items is inevitable; they should not be washed in dishwashers.
- Kitchen utensils that are already corroded are washed in dishwasher. >>> Rust on a corroded item can migrate to other stainless steel surfaces and cause corrosion on those surfaces as well. Such items should not be washed in dishwashers.

Detergent remains in detergent dispenser.

- Detergent dispenser was damp when adding detergent. >>> Make sure that the detergent dispenser is dried well prior to filling it with detergent.
- Detergent is added long before the washing process. >>> Pay attention to add detergent shortly before start-up of the washing.
- Opening of the detergent dispenser lid is prevented during washing. >>> Place the dishes in a way that will not prevent the detergent dispenser lid from opening and the water going into the machine from impellers.
- Detergent is stored under unsuitable conditions. >>> If you are using powder detergent, do not store the detergent package in humid places. Keep it in a closed container if possible. For ease-of-storing, we recommend you to use tablet detergents.
- Wash Arm holes are clogged. >>> Lower and upper Wash Arm holes might be clogged with food remnants such as lemon pips. Clean the Wash Arm regularly as illustrated in section “Cleaning and Care”.

Decorations and ornaments on kitchen utensils are being erased.



Decorated glasses and decorated luster porcelains are not suitable for washing in the dishwasher. Manufacturers of glassware and porcelain tableware items do not recommend washing such kitchen utensils in the dishwashers either.

Dishes are scratched.



Kitchen utensils that contains or are made of aluminum should not be washed in dishwasher.

- Salt leakage exists. >>> Pay attention not to spill salt around the salt filling hole while adding salt. Spilled salt can cause scratches. Make sure that the salt reservoir lid is tightly closed after finishing the filling process. Run the prewash program to remove the salt that spilled inside the machine. Since the salt granules that will remain under the lid will dissolve during prewash, causing the lid loosen, check the lid once again at the end of the program.
- Water hardness setting is low or salt level is insufficient >>> Measure the hardness of the supply water appropriately and check the water hardness setting.
- Dishes are not placed orderly in the machine. >>> When placing the glasses and other glassware into the basket lean them not against other dishes but the edges or racks of the basket or the glass support wire. Striking of the glasses to each other or to other dishes due to the impact of water during washing can cause breaks, or scratches on their surfaces.

A smear remains on glasses that resembles milk stain which can not be removed when wiped by hand. A bluish / rainbow appearance occurs when the glass is pointed to light.

- Excessive rinse aid is used. >>> Lower rinse aid setting. Clean the spilled rinse aid when adding rinse aid.
- Corrosion has occurred on glass due to soft water. >>> Measure the hardness of the supply water appropriately and check the water hardness setting. If your supply water is soft (<15 gpg), do not use salt. Choose programs that wash in higher temperatures (140-149 degrees Fahrenheit). You can also use glass protective detergents that are commercially available.

Foam forms in the machine.

- Dishes are washed with hand-wash detergent by hand but not rinsed before placing them into the machine. >>> Hand-wash detergents do not contain antifoam. There is no need to hand-wash the dishes before placing them into the machine. Removing the coarse soil on the dishes under tap water, with a sponge or towel.
- Rinse aid has spilled into the machine when adding rinse aid. >>> Take care that rinse aid is not spilled in the machine when you are filling it. Clean any spilled rinse aid with the help of a tissue paper/towel.
- Lid of the rinse aid reservoir is left open. >>> Make sure that the lid of the rinse aid reservoir is closed after adding rinse aid.

Kitchen utensils are broken.

- Dishes are not placed orderly in the machine. >>> Load the dishes as described in the user manual.
- Baskets are overloaded. >>> Do not overload the baskets in excess of their capacity.

Water remains in the dishwasher at the end of the program.

- Filters are clogged. >>> Check if the filter system is clean. Clean the filter system regularly as illustrated in section "Cleaning and Care".
- Discharge hose is clogged/blocked. >>> Check the discharge hose. If necessary, remove the discharge hose, clear the blockage and insert it as illustrated in the user manual.



If you cannot eliminate the problem although you follow the instructions in this section, consult your dealer or the Authorized Service Agent. Never try to repair a nonfunctional product yourself.

12. TECHNICAL FEATURES

Load capacity	14 place settings
Permissible water pressure	4.35 - 145 psi (0.3 - 10 bars)
Electrical connection	120 V (volts), 12 A (amps), 60Hz (hertz)
Total power	1400 W (watts)
Heater power	1100 W (watts)

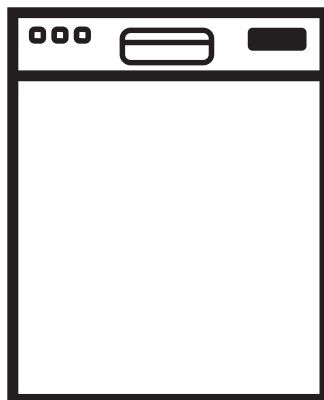


NOTICE: Because we continually strive to improve our products, we may change our specifications and design without prior notice.

This device corresponds to the following directives:
UL 749 Household
Dishwasher directive.

Lave-vaisselle

Mode d'emploi et d'entretien



F6DWT24SS2

F6DWT24FI2


Pour éviter les accidents susceptibles de provoquer des blessures graves, voire mortelles, ainsi que des dommages matériels, veuillez lire ces instructions avant l'installation et/ou l'utilisation de l'appareil.


TABLE DES MATIÈRES


1. CONSIGNES DE SÉCURITÉ IMPORTANTES	1
2. RECYCLAGE	3
3. PRÉSENTATION DU LAVE-VAISSELLE	5
4. CHARGER LE LAVE-VAISSELLE	6
4.1 PANIER DU HAUT	9
4.2 PANIER DU BAS	12
4.3 CHARGEMENT CORRECT ET INCORRECT DE LA VAISSELLE	18
5. ARTICLES À NE PAS LAVER DANS VOTRE LAVE-VAISSELLE	19
6. FONCTIONNEMENT DE L'APPAREIL	20
6.1 TOUCHES	21
6.2 PRÉPARATION DE L'APPAREIL	21
6.3 SÉLECTION DU PROGRAMME	21
6.4 FONCTIONS SUPPLÉMENTAIRES	23
6.5 PLANIFICATION DE L'HEURE DE LAVAGE	25
6.6 DÉMARRAGE DU PROGRAMME	25
6.7 ANNULATION DU PROGRAMME	26
6.8 INDICATEUR DE SEL (S)	26
6.9 INDICATEUR DE PRODUIT DE RINÇAGE (✱)	27
6.10 FIN DU PROGRAMME	27
6.11 INDICATEUR DE COUPURE D'EAU	27
7. DÉTERGENT	28
7.1 AJOUT DE DÉTERGENT	28
6.12 AVERTISSEMENT DE DÉBORDEMENT	28
7.2 DÉTERGENTS EN PASTILLES	29
7.3 PRODUIT DE RINÇAGE	30
10. ENTRETIEN ET MAINTENANCE	34
10.1 ENTREtenir LA COQUE DE VOTRE LAVE-VAISSELLE	35
10.2 ENTREtenir VOTRE LAVE-VAISSELLE	35
10.3 NETTOYAGE DES FILTRES	36
10.4 NETTOYAGE DU FILTRE DU TUYAU	37
10.5 NETTOYAGE DES BRAS GICLEURS	37
11. DÉPANNAGE	39
12. CARACTÉRISTIQUES TECHNIQUES	44

INTRODUCTION


Lisez ce manuel d'utilisation et en particulier les instructions de sécurité entièrement et attentivement. Ils vous feront gagner du temps et des efforts et vous aideront à optimiser les performances du lave-vaisselle. Assurez-vous de respecter tous les avertissements et mises en garde énumérés. Observez particulièrement les icônes avec des points d'exclamation à l'intérieur. L'icône d'information fournira également des références importantes.


	AVERTISSEMENT : Indique une situation potentiellement dangereuse qui, si elle n'est pas évitée, pourrait entraîner la mort ou des blessures graves.
--	--

	MISE EN GARDE : Indique une situation potentiellement dangereuse qui, si elle n'est pas évitée, peut entraîner des blessures. Elle peut également être utilisée pour mettre en garde contre des pratiques dangereuses.
--	---

	REMARQUE : Indique une situation potentiellement dangereuse qui, si elle n'est pas évitée, peut endommager le lave-vaisselle, la vaisselle, l'équipement ou l'environnement.
--	---

1. CONSIGNES DE SÉCURITÉ IMPORTANTES

	AVERTISSEMENT : Lorsque vous utilisez le lave-vaisselle, prenez les précautions de base suivantes : Lisez toutes les instructions avant d'utiliser le lave-vaisselle! Conservez ces instructions d'utilisation et transmettez-les au futur utilisateur.
---	---

	Ce produit répond aux exigences de la section 15 de la réglementation FCC Son fonctionnement est soumis aux deux conditions suivantes: (1) Cet appareil ne doit pas provoquer d'interférences nuisibles, et (2) cet appareil doit accepter toute autre interférence reçue, y compris celles pouvant entraîner un fonctionnement non désiré. Aucune modification ne doit être apportée à l'équipement sans l'autorisation du fabricant, car cela pourrait annuler le droit de l'utilisateur d'utiliser l'appareil ».
---	---

- N'utilisez le lave-vaisselle que pour l'usage prévu décrit dans ce manuel. Cet appareil est destiné à un usage domestique normal uniquement.
- **Le fabricant décline toute responsabilité pour les dommages ou blessures causés par une mauvaise utilisation de cet appareil.**
- Afin de minimiser les risques d'incendie ou d'explosion et de prévenir les dommages matériels, les blessures corporelles ou la perte de vie, veuillez respecter

- les consignes formulées dans ce manuel d'utilisation.
- N'utilisez pas votre lave-vaisselle tant que tous les panneaux du boîtier ne sont pas correctement installés.
 - Évitez d'altérer les commandes.
 - Ne forcez pas sur la porte ou sur le panier à vaisselle du lave-vaisselle, et évitez de vous asseoir ou de vous tenir dessus.
 - Les paniers à tasses sont conçus pour soutenir des tasses, des verres et des ustensiles de cuisine. Lorsque les paniers à tasses sont dans le lave-vaisselle, évitez de vous appuyer dessus ou d'utiliser les paniers à tasses pour supporter votre poids corporel.
 - Pour réduire le risque de blessure, ne laissez pas les enfants jouer avec le lave-vaisselle ou près de celui-ci.
 - N'utilisez que des détergents ou des produits de rinçage recommandés pour un lave-vaisselle et gardez-les dans un endroit sec, hors de portée des enfants. Vérifiez que le distributeur de détergent est vide après chaque programme de lavage.
 - Les détergents pour lave-vaisselle contiennent des produits chimiques qui peuvent provoquer des maladies s'ils sont inhalés ou avalés. Aussi, soyez prudent lorsque vous ouvrez la porte à cause de la vapeur chaude qui est produite pendant le fonctionnement. En cas d'ingestion ou d'inhalation du détergent, consultez immédiatement un médecin.
 - Si l'eau chaude n'a pas été utilisée depuis plusieurs semaines, nous recommandons d'utiliser les robinets d'eau chaude pour éliminer les gaz accumulés.
 - Évitez de stocker ou d'utiliser des liquides ou des vapeurs inflammables dans la zone du lave-vaisselle.
 - Lorsque vous chargez des articles à laver, disposez les objets pointus de sorte qu'ils n'endommagent pas le joint de la porte, et chargez les couteaux tranchants en tenant les poignées vers le haut afin de réduire le risque de blessures par coupures.
 - Ne lavez les articles en plastique que lorsqu'ils portent la mention « lavables au lave-vaisselle » ou l'équivalent. Pour les articles en plastique non marqués, vérifiez les recommandations du fabricant.
 - En cas de dysfonctionnement, éteignez l'appareil et fermez l'arrivée d'eau du lave-vaisselle.
 - N'essayez pas de porter le lave-vaisselle par vos propres moyens afin d'éviter des blessures potentielles. Il faut au moins deux personnes ou plus pour déplacer le lave-vaisselle.
 - Avant de nettoyer ou d'effectuer l'entretien, éteignez l'appareil, débranchez la fiche d'alimentation et fermez l'arrivée d'eau.
 - Les réparations et modifications techniques doivent être effectuées exclusivement par un technicien agréé.
 - Si le lave-vaisselle n'est pas utilisé pendant une longue période (vacances), nous recommandons de retirer tous les éléments du lave-vaisselle, de laisser la porte ouverte pour permettre à l'air de circuler et de couper l'alimentation électrique et l'arrivée d'eau du lave-vaisselle.
 - Cet appareil est livré avec un cordon d'alimentation NEMA 5-15P 15A à trois douilles. Il doit être branché à une prise murale mise à la terre et polarisée qui a été installée et testée

par un électricien agréé, et qui a été installée dans le respect des codes électriques locaux, régionaux et fédéraux.



AVERTISSEMENT : Une mauvaise connexion du conducteur de mise à la terre de l'équipement peut entraîner un risque d'électrocution. Si vous avez des doutes quant à la mise à la terre de l'appareil, rapprochez-vous d'un électricien qualifié ou d'un représentant de service. Ne modifiez pas la fiche fournie avec l'appareil; si elle ne convient pas à la prise, faites installer une prise adéquate par un électricien qualifié.

- Cet appareil produit de l'ozone dans le compartiment de lavage lors de son fonctionnement normal. L'exposition à long terme à l'ozone ou à des niveaux élevés d'ozone peut provoquer des problèmes respiratoires, en particulier pour les personnes handicapées, âgées et les enfants.
- Ne laissez pas les enfants utiliser l'appareil sans la supervision d'un adulte.
- Veillez à ne pas laisser la porte complètement ouverte lorsqu'elle n'est pas chargée ou déchargée pour éviter que l'on ne trébuche dessus.



AVERTISSEMENT : Si votre lave-vaisselle est équipé d'un système d'éclairage interne, l'ampoule ne doit être remplacée que par l'agent de service agréé en cas de panne.



AVERTISSEMENT : Ce produit peut vous exposer à des produits chimiques, y compris le nickel (métallique) qui est reconnu dans l'État de Californie comme étant cancérigène.

Pour plus d'informations, visitez le site www.P65Warnings.ca.gov

Remarque : Le nickel est un composant présent dans toutes les substances en acier inoxydable et d'autres composants métalliques.

CONSERVEZ CES INSTRUCTIONS

- L'entretien doit être effectué par un installateur qualifié. Les travaux effectués par des personnes non qualifiées pourraient être dangereux et annuler la garantie.
- Ne faites pas fonctionner l'appareil s'il est endommagé, s'il fonctionne mal, s'il a été partiellement démonté ou si des pièces sont manquantes ou cassées.
- Avant l'installation ou l'entretien, débranchez l'alimentation électrique de la zone de travail en débranchant l'unité, en « déclenchant » le disjoncteur ou en retirant le fusible.
- Pour des raisons de sécurité, le lave-vaisselle doit être fixé aux armoires adjacentes à l'aide des supports fournis. Le non-respect de cette consigne peut causer des dommages matériels ou corporels.
- N'utilisez pas de rallonge ou de dispositif de sortie portable pour connecter le lave-vaisselle à une source d'alimentation.

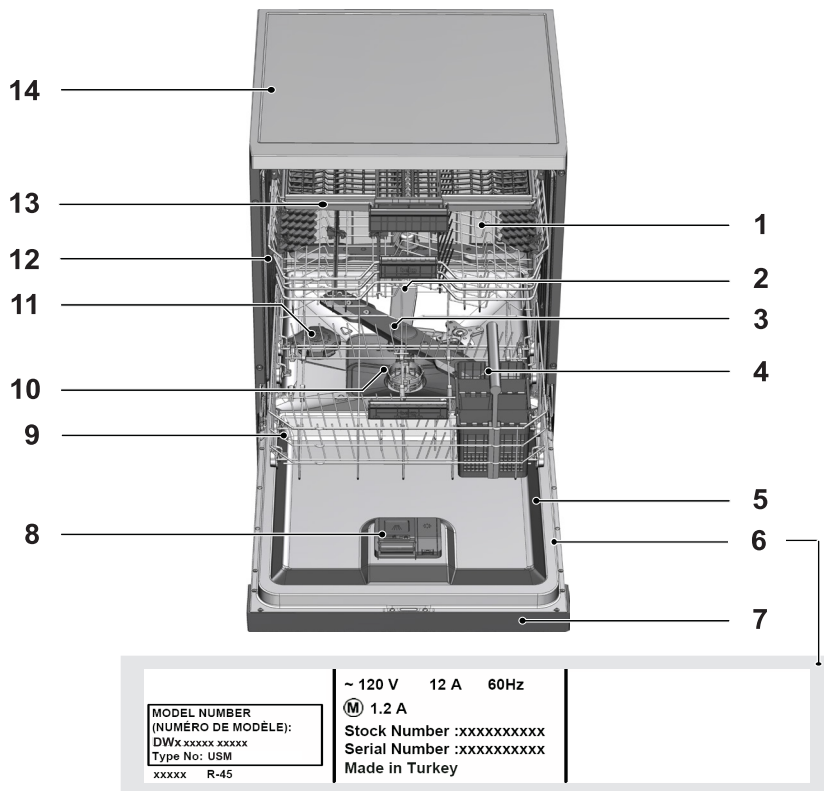
2. RECYCLAGE

- Retirez la porte du compartiment de lavage lorsque vous retirez un lave-vaisselle usagé du service ou le mettez au rebut. Assurez-vous que l'appareil ne présente aucun danger pour les enfants pendant leur stockage.
- Retirez le verrouillage de la porte ou la porte du compartiment de lavage avant de mettre au rebut le lave-vaisselle afin d'éviter que les enfants et petits animaux ne se retrouvent piégés à l'intérieur.
- Les vieux appareils peuvent contenir des matériaux recyclables. Veuillez contacter votre autorité de recyclage locale sur la possibilité de recycler ces matériaux.
- Veuillez vérifier régulièrement le tuyau d'alimentation en eau. Il existe des risques de fuites. Il devient moins flexible avec le temps. Remplacez-le immédiatement lorsqu'il est déchiré, fendu ou enflé ou en cas de risque de fuite.
- Veuillez conserver l'emballage du lave-vaisselle hors de la portée des enfants après avoir déballé le produit.

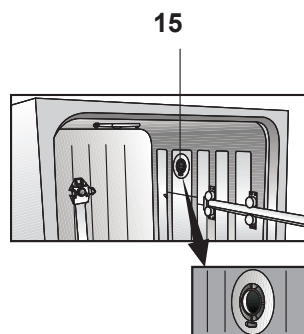


AVERTISSEMENT :Danger d'asphyxie! Veuillez à ce que les emballages en plastique, les sacs, les petits articles, etc. soient éliminés en toute sécurité et hors de la portée des enfants.

3. PRÉSENTATION DU LAVE-VAISSELLE



1. Panier supérieur
2. Hélice supérieure
3. Hélice inférieure
4. Panier à couverts
5. Porte
6. Modèle et étiquette de série
7. Panneau de commande
8. Distributeur de détergent et de produit de rinçage
9. Panier inférieur
10. Filtres
11. Récipient à sel (Certains modèles)
12. Rail de panier supérieur
13. Panier à couverts supérieur (Certains modèles)
14. Plateau de table (Certains modèles)
15. Système de séchage par chaleur du turbo-ventilateur (Certains modèles)



4. CHARGER LE LAVE-VAISSELLE

1. Tirez sur la poignée pour ouvrir la porte. Si vous ouvrez la porte alors que le lave-vaisselle est en marche, il s'éteindra. En refermant la porte, le programme se poursuit.
2. Enlevez les gros résidus de nourriture.
3. Vous pouvez maintenant charger votre lave-vaisselle.

PANIER DU HAUT (En Fonction des modèles)



Schéma de chargement du panier du haut pour un service de 12 couverts conforme à la norme AHAM DW-1

PANIER DU BAS (En Fonction des modèles)

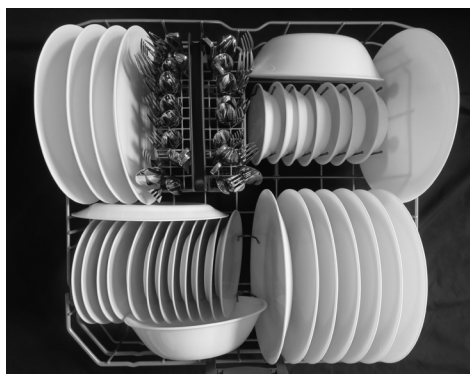


Schéma de chargement du panier du bas pour un service de 12 couverts conforme à la norme AHAM DW-1

PANIER DU HAUT (En Fonction des modèles)



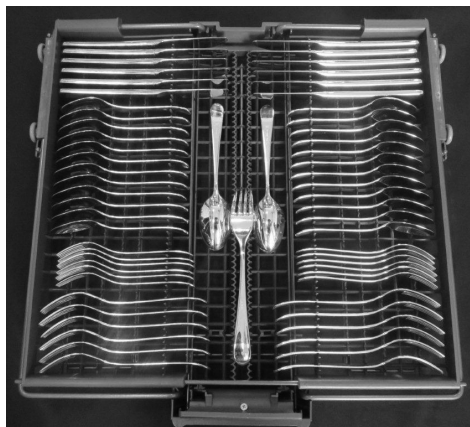
Mode international de Chargement – Panier supérieur (12 couverts)

PANIER DU BAS (En Fonction des modèles)



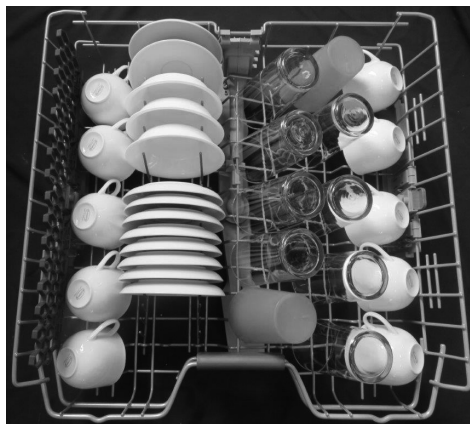
Mode international de Chargement – Panier inférieur (12 couverts)

PANIER DU HAUT (En Fonction des modèles)



Mode de Chargement supplémentaire – Panier supérieur (12 couverts)

PANIER DU HAUT (En Fonction des modèles)



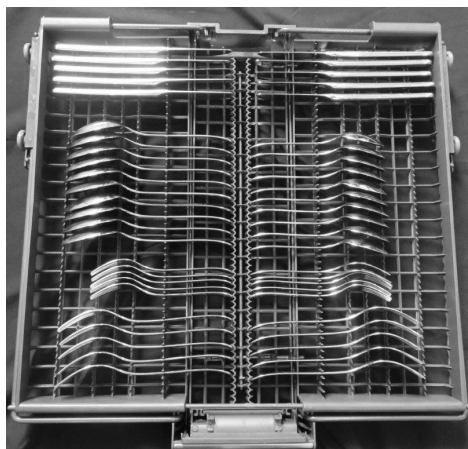
Mode de Chargement supplémentaire – Panier supérieur (10 couverts)

PANIER DU BAS (En Fonction des modèles)



Mode de Chargement supplémentaire – Panier inférieur (10 couverts)

PANIER DU HAUT (En Fonction des modèles)



Mode de Chargement supplémentaire – Panier supérieur (10 couverts)



AVERTISSEMENT: Les grands couteaux et les autres ustensiles à bout pointu et tranchants doivent être placés à l'horizontale dans le panier du haut pour éviter toute blessure. Les autres plus petits couteaux et les ustensiles tranchants doivent être placés avec la lame vers le bas dans le panier à coutellerie.



AVERTISSEMENT: Soyez extrêmement prudent quand vous sortez les couteaux et les autres ustensiles tranchants du lave-vaisselle. Il se peut que ces articles aient bougé pendant le programme de lavage et qu'ils soient humides ou glissants.



AVERTISSEMENT: Les supports à tasses sont conçus pour y loger des tasses, des verres et des ustensiles de cuisine. Quand les supports à tasses sont dans le lave-vaisselle, ne vous appuyez pas dessus ou ne faites pas porter tout votre poids sur les supports à tasses.



AVERTISSEMENT: De la vapeur chaude peut s'échapper! Risque de brûlures graves ou d'autres blessures.

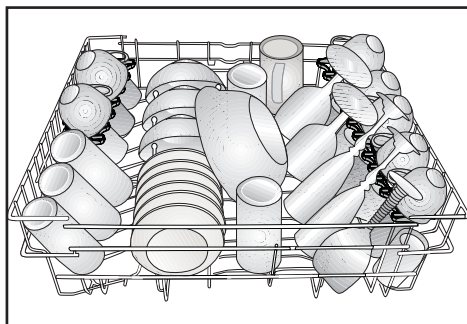


AVIS: 3ème panier devrait être retiré du lave-vaisselle durant les tests selon AHAM DW-1.

- Votre lave-vaisselle contient au maximum un service de 12 couverts.
- Placez tous les contenants, comme les tasses, les verres et les casseroles, dans le lave-vaisselle avec l'ouverture vers le bas (pour éviter toute accumulation d'eau).
- Les articles légers et de taille réduite peuvent être placés dans le panier du haut.
- Les articles longs et étroits doivent être placés au milieu des paniers.
- Placez les articles très sales et de grande taille dans le panier du bas.
- La vaisselle et la coutellerie ne doivent pas être placées l'une sur l'autre.
- Les verres ne devraient pas se toucher.
- Les articles à laver ne doivent pas entraver les mouvements des bras gicleurs.
- Ne surchargez pas votre lave-vaisselle et soyez attentif aux consignes des fabricants de vaisselle qui vont au lave-vaisselle. Pour obtenir les meilleurs résultats de lavage avec une consommation moindre d'énergie, utilisez seulement de la vaisselle adéquate (telle que décrite dans la section 5).

4.1 PANIER DU HAUT

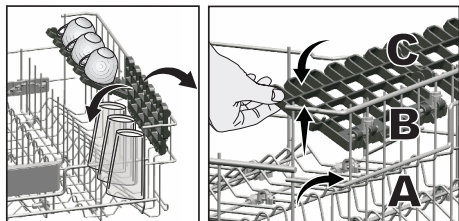
Chargez le panier du haut avec des assiettes à dessert, des tasses, des verres, etc.



ÉTAGÈRES AJUSTABLES (EN FONCTION DES MODÈLES)

En fonction de la taille des verres et des tasses, la hauteur de l'étagère peut être réglée.

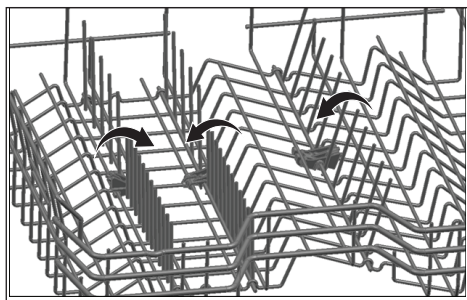
1. Soulevez l'étagère **A**.
2. Placez-la à la hauteur désirée **B**.
3. Rabaissez l'étagère pour l'enclencher **C**.



TIGES RÉTRACTABLES DU PANIER SUPÉRIEUR

(EN FONCTION DES MODÈLES)

Vous pouvez utiliser des tiges rétractables lorsque vous souhaitez créer plus d'espace pour vos plats dans le panier supérieur de votre machine. Pour mettre les tiges rétractables en position horizontale, tenez-les par le milieu et poussez-les dans le sens de la flèche indiquée sur la figure. Placez vos plats volumineux dans l'espace dégagé. Pour remettre les tiges en position verticale, contentez-vous de les redresser.

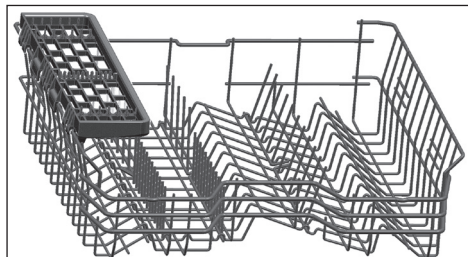


Le fait de mettre les tiges en position horizontale en les tenant par les extrémités peut les amener à se plier. Par conséquent, vous devez tenir les tiges par leurs manches tout en les ramenant à la position horizontale ou verticale.

SUPPORT MULTIFONCTION DU PANIER SUPÉRIEUR

(EN FONCTION DES MODÈLES)

Cet accessoire situé dans le panier supérieur de l'appareil vous permet de laver facilement des éléments tels que de très grandes louches et des couteaux à pain.



Vous pouvez soulever le support multifonction du panier supérieur pour le retirer si vous ne souhaitez pas l'utiliser.



Si vous souhaitez réutiliser le support multifonction du panier supérieur, vous pouvez facilement le fixer à la section latérale de votre panier supérieur.



RÉGLAGE DE HAUTEUR DU PANIER SUPÉRIEUR

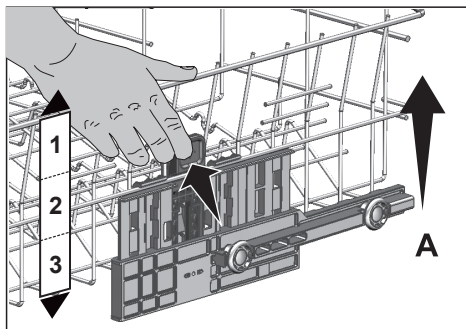
(EN FONCTION DES MODÈLES)

Le mécanisme de réglage de hauteur du panier supérieur a été conçu pour que vous puissiez créer de grands espaces dans les sections inférieures ou supérieures de votre machine en fonction de vos besoins en ajustant la hauteur vers le haut ou vers le bas, que votre panier soit vide ou chargé.

Grâce à ce mécanisme, vous pouvez utiliser votre panier dans trois positions différentes : inférieure, moyenne et supérieure (1, 2, 3).

1. Pour soulever votre panier, tenez les tiges du panier supérieur avec les deux mains en vous assurant que le panier est dans la position la plus basse, et tirez-les vers le haut (A).
2. Vous entendrez un « clic » provenant des mécanismes de droite et de gauche, indiquant que le panier a atteint le niveau suivant. Libérez le panier.

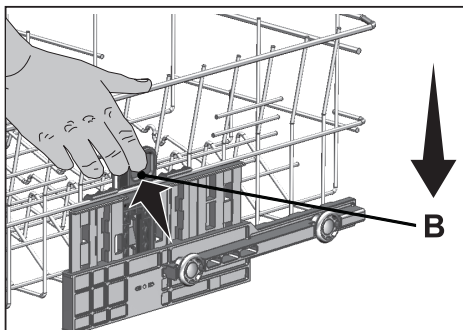
Répétez le processus si la hauteur n'est pas suffisante.



Pour abaisser le panier, alors qu'il est dans la position la plus haute ;

1. Tenez les tiges du panier supérieur avec les deux mains, soulevez légèrement ce dernier, poussez et relâchez simultanément les loquets indiqués sur la figure (B).
2. Abaissez le panier de sa position actuelle à la position inférieure.
3. Libérez le panier une fois qu'il passe à un niveau inférieur.

Répétez le processus si la hauteur n'est pas suffisante.



Le mécanisme de déplacement peut ne pas fonctionner correctement si le panier supérieur est surchargé ou si la répartition du poids n'est pas équilibrée. Avec des charges très lourdes, le panier peut chuter à un niveau inférieur.



Assurez-vous que le mécanisme de réglage correspond aux positions sur les côtés droit et gauche du panier supérieur.

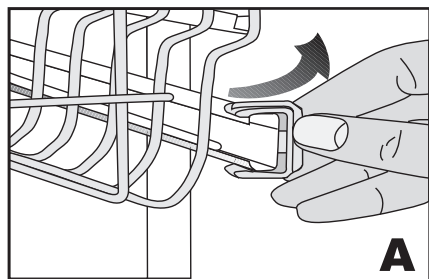
AJUSTE DE LA ALTURA (EN FONCTION DES MODÈLES)

En algunos modelos, la altura del canastillo superior puede cambiarse utilizando las ruedas que se encuentran a dos niveles de altura.

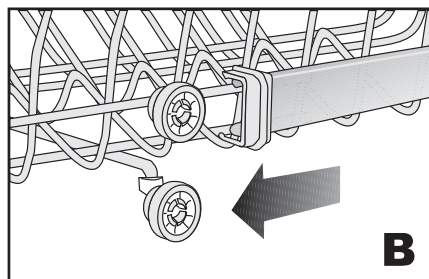


PRECAUCIÓN: Asegúrese de que el canastillo esté vacío. El cambio de la altura cuando el canastillo contiene algún elemento podría provocar el desplazamiento de su contenido, causando lesiones o daños a la vajilla.

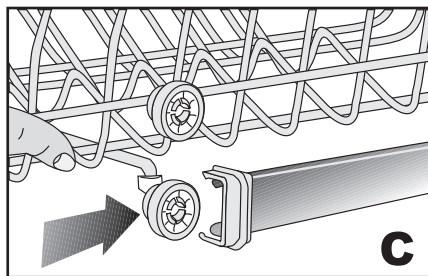
1. Luelte los pestillos a la derecha y a la izquierda del soporte del canastillo superior girándolos hacia fuera A.



2. Quite el canastillo por completo B.



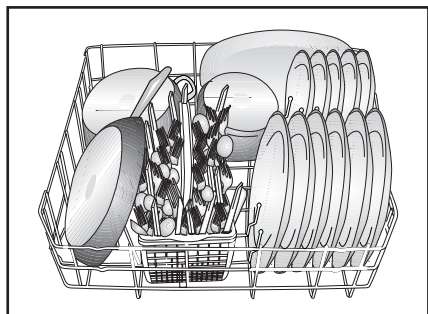
3. Coloque el canastillo nuevamente en el soporte a la altura deseada C.



4. vuelva a poner los pestillos en la posición correcta.

4.2 PANIER DU BAS

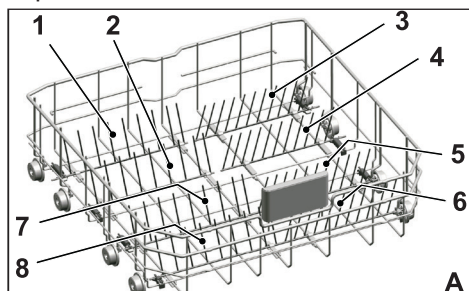
Utilisez le panier du bas pour les assiettes, les bols, les casseroles, etc.



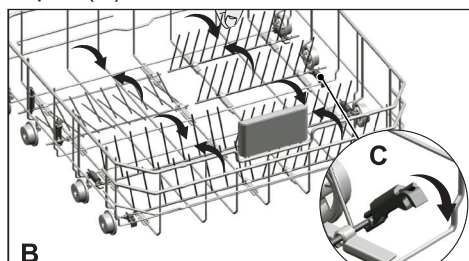
TIGES RÉTRACTABLES DU PANIER INFÉRIEUR

(EN FONCTION DES MODÈLES)

Les six tiges rétractables (A) situées dans le panier inférieur de la machine sont conçues pour faciliter le rangement d'éléments volumineux comme les casseroles, les saladiers, etc. Vous pouvez créer des espaces plus grands en repliant chacune des tiges séparément ou toutes à la fois.



Pour mettre les tiges rétractables en position horizontale, tenez-les par le milieu et poussez-les dans le sens des flèches (B). Pour remettre les tiges en position verticale, contentez-vous de les redresser. Les tiges rétractables s'enclencheront à nouveau dans le loquet (C).

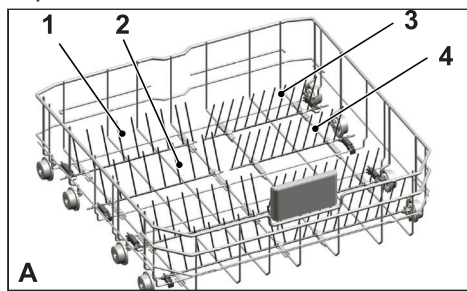


Le fait de mettre les tiges en position horizontale en les tenant par les extrémités peut les amener à se plier. Par conséquent, il serait convenable de disposer les tiges médianes en position horizontale ou verticale en les tenant par leurs manches et en les poussant dans le sens de la flèche.

TIGES RÉTRACTABLES DU PANIER INFÉRIEUR

(EN FONCTION DES MODÈLES)

Les six tiges rétractables (A) situées dans le panier inférieur de la machine sont conçues pour faciliter le rangement d'éléments volumineux comme les casseroles, les saladiers, etc. Vous pouvez créer des espaces plus grands en repliant chacune des tiges séparément ou toutes à la fois.



Pour mettre les tiges rétractables en position horizontale, tenez-les par le milieu et poussez-les dans le sens des flèches (B). Pour remettre les tiges en position verticale, contentez-vous de les redresser. Les tiges rétractables s'enclencheront à nouveau dans le loquet (C).

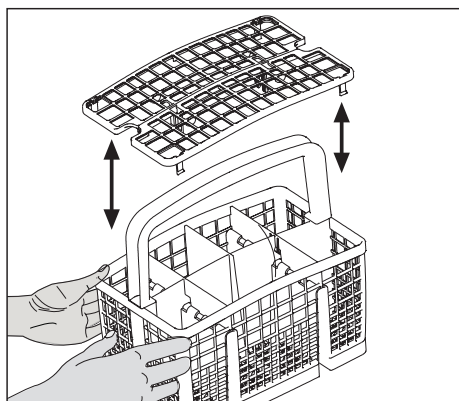
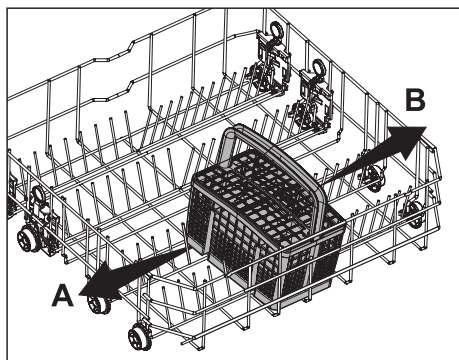


Le fait de mettre les tiges en position horizontale en les tenant par les extrémités peut les amener à se plier. Par conséquent, il serait convenable de disposer les tiges médianes en position horizontale ou verticale en les tenant par leurs manches et en les poussant dans le sens de la flèche.

PANIER À COUVERTS (EN FONCTION DES MODÈLES)

Le panier à couverts est conçu pour nettoyer vos couverts tels que les couteaux, fourchettes, cuillères, etc. de manière plus propre.

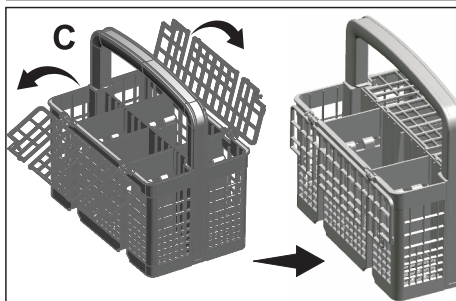
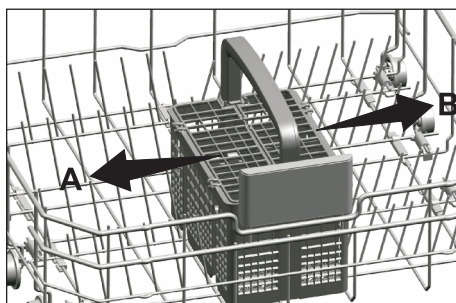
Comme le panier à couverts est amovible (A, B), vous pouvez créer un espace plus large quand vous placez vos plats dans le panier inférieur, et libérer de l'espace pour vos plats de différentes tailles.



PANIER À COUVERTS (EN FONCTION DES MODÈLES)

Le panier à couverts est conçu pour nettoyer vos couverts tels que les couteaux, fourchettes, cuillères, etc. de manière plus propre.

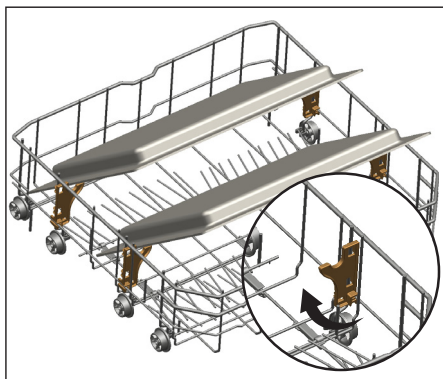
Comme le panier à couverts est amovible (A, B), vous pouvez créer un espace plus grand lorsque vous placez vos plats dans le panier inférieur, afin de libérer de l'espace pour vos plats de différentes tailles.



AVIS: Lorsque vous avez terminé, vérifiez que le bras gicleur peut toujours bouger librement.

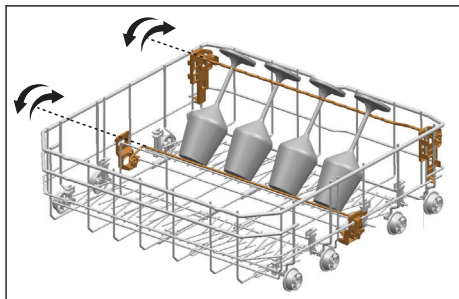
SUPPORT DE PLATEAU DE LAVAGE (EN FONCTION DES MODÈLES)

Utilisez les supports pour laver les plateaux au fond du panier. Référez-vous à la section Fonctions supplémentaires afin de sélectionner le programme et la fonction appropriés.



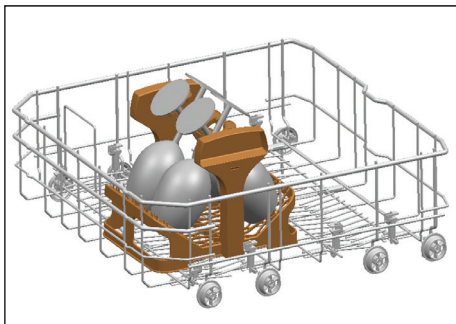
PORTE-VERRE DU PANIER INFÉRIEUR (EN FONCTION DES MODÈLES)

Le porte-verre du panier inférieur de votre appareil garantit un lavage sûr de vos verres hauts et grands.



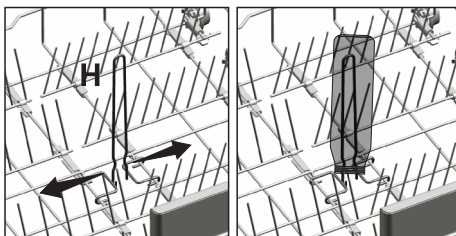
SOFT TOUCH ACCESSORY (EN FONCTION DES MODÈLES)

La fonctionnalité SoftTouch Accessory du panier inférieur de votre appareil garantit un lavage sûr de vos verres fragiles.



TIGE À BOUTEILLES DU PANIER INFÉRIEUR (EN FONCTION DES MODÈLES)

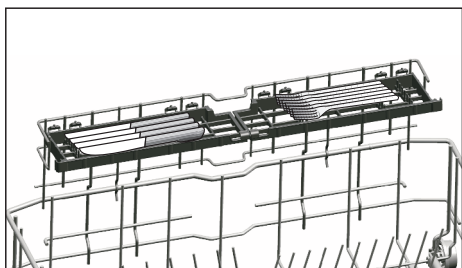
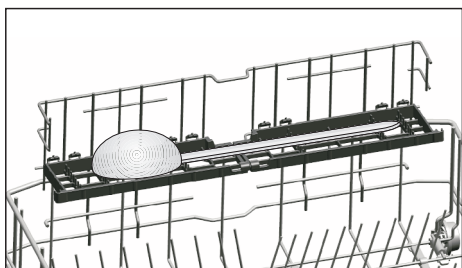
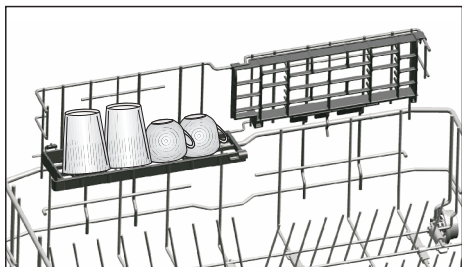
La tige de la bouteille est conçue pour le lavage plus facile d'éléments longs avec des orifices larges. Vous pouvez sortir la tige à bouteille du panier quand elle n'est pas utilisée en la tirant par par les côtés (H).



SUPPORT MULTIFONCTION/À HAUTEUR AJUSTABLE DU PANIER INFÉRIEUR

(EN FONCTION DES MODÈLES)

Cet accessoire situé dans le panier inférieur de l'appareil vous autorise à laver facilement des éléments tels que des verres supplémentaires, de grandes louches et des couteaux à pain.



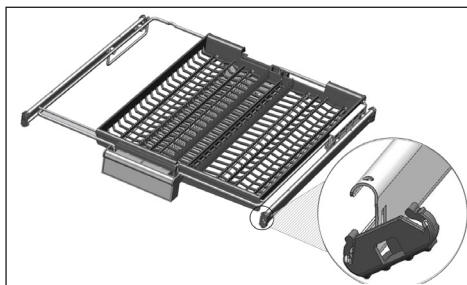
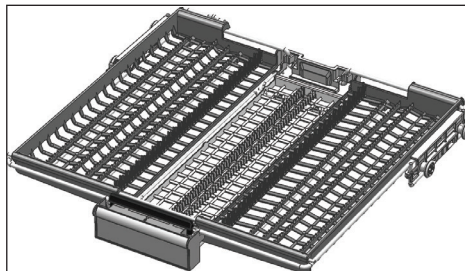
Vous pouvez utiliser les supports au besoin en les déplaçant vers le bas ou vers le haut, ou les fermer pour créer un plus grand espace dans votre panier inférieur.



Veillez à ce que l'hélice ne touche pas la vaisselle placée sur les supports.

PANIER À COUVERTS SUPÉRIEUR (EN FONCTION DES MODÈLES)

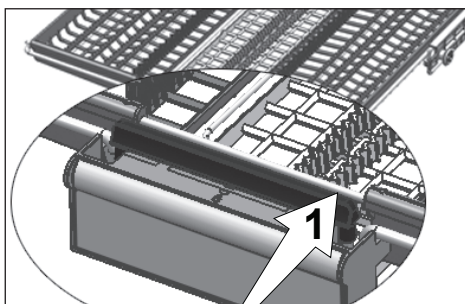
Le panier à couverts supérieur est conçu pour nettoyer vos couverts tels que les fourchettes, les cuillères, etc. en les plaçant entre les barres du panier.



Lorsque le plateau central est en position basse, vous pouvez charger des objets longs et hauts tels que les tasses à café, les louches, etc. sur le plateau. Lorsque les plateaux latéraux reposent sur deux parois latérales, vous pouvez tirer la poignée pour permettre au plateau central de se soulever et de verrouiller le système.

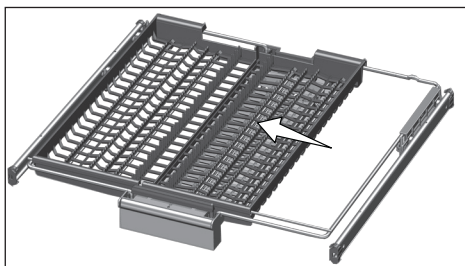
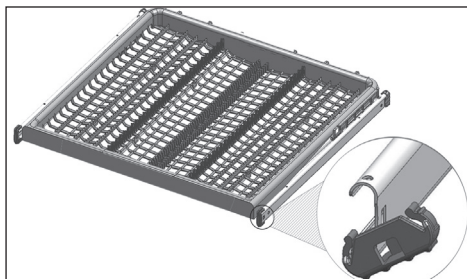
PANIER À COUVERTS SUPÉRIEUR (EN FONCTION DES MODÈLES)

Le panier à couverts supérieur est conçu pour nettoyer vos couverts tels que les fourchettes, les cuillères, etc. en les plaçant entre les barres du panier.

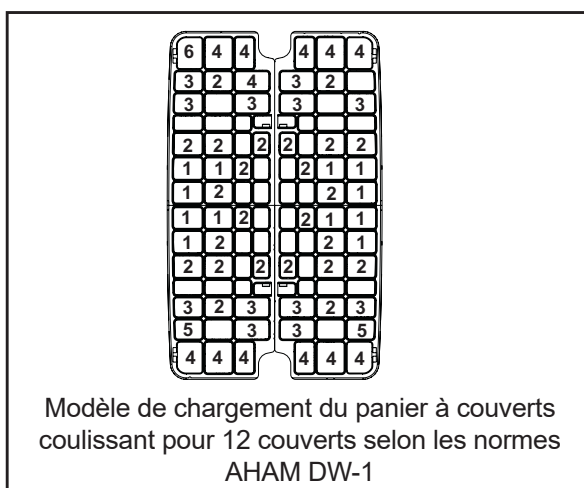
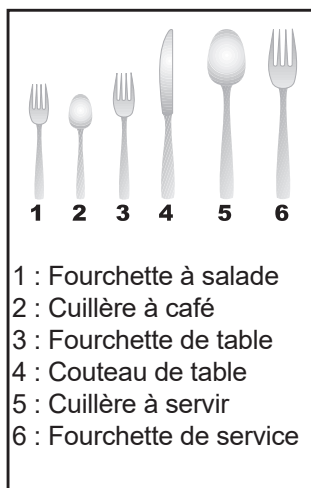


Dans les modèles avec fonction de mouvement partiel, lorsque vous poussez la barre (1) sur la poignée, le plateau central du panier passe à la position inférieure et le système se déverrouille. Ainsi, les plateaux à droite et à gauche peuvent être utilisés comme pièces mobiles.

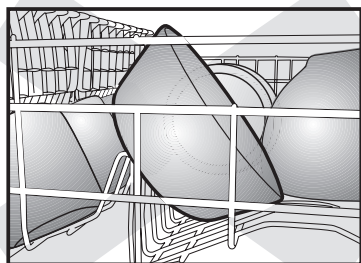
L'espace libre laissé par les plateaux latéraux permet de charger les pièces longues dans le panier supérieur.



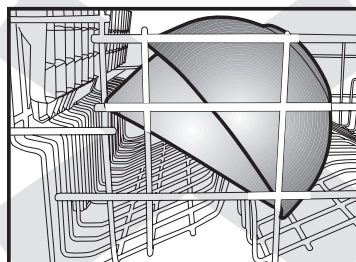
4.3 CHARGEMENT CORRECT ET INCORRECT DE LA VAISSELLE



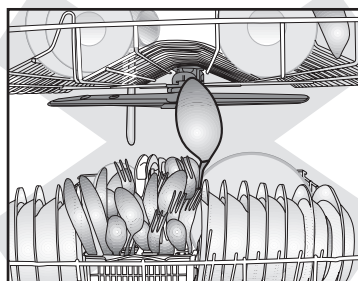
- Placez tous les récipients tels que les tasses, les verres et les casseroles dans le lave-vaisselle avec l'ouverture orientée vers le bas (de sorte que l'eau ne puisse s'y accumuler).
- Le mouvement des bras de pulvérisation ne doit pas être gêné.
- Ne surchargez pas votre lave-vaisselle.
- Seulement avec des plats appropriés (mentionnés dans la section 5) vous obtiendrez des résultats de lavage optimaux avec une utilisation raisonnable de l'énergie.



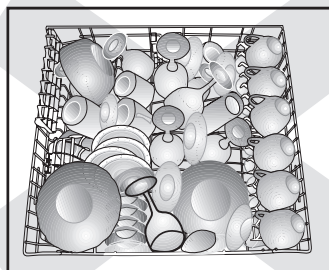
incorrect



incorrect



incorrect



incorrect

5. ARTICLES À NE PAS LAVÉR DANS VOTRE LAVE-VAISSELLE

- Les parties en acier sensibles à la rouille comme le fer ou et la fonte qui peuvent rouiller et tacher d'autres ustensiles et endommager le revêtement en acier inoxydable de l'intérieur du lave-vaisselle et annuler la garantie. Ne lavez pas des objets en cuivre, en laiton, en étain, en bronze ou en fer-blanc
- La coutellerie avec des manches en bois, en corne, en nacre ou en porcelaine se détériorera au fil du temps si l'on la met au lave-vaisselle.
- Les matières plastiques peuvent se déformer ou se décolorer au contact de l'eau chaude, veuillez suivre les consignes des fabricants de ces produits en plastique. Assurez-vous que les articles en plastique portent la mention " pour lave-vaisselle ".
- La vaisselle ou la coutellerie dont les pièces sont collées l'une à l'autre ne passent pas au lave-vaisselle car certains adhésifs peuvent se ramollir ou se dissoudre au contact de l'eau chaude.
- L'aluminium peut faner au fil du temps. Les sels minéraux contenus dans l'eau et le détergent peuvent assombrir ou tacher l'aluminium.
- Les articles en argent fin ne doivent pas être lavés au lave-vaisselle car ils ont tendance à se décolorer et à ternir à cause du détergent pour lave-vaisselle.
- Les articles en argent et ceux en acier inoxydable ne doivent pas se toucher. Ils peuvent se tacher s'ils entrent en contact. Sortez et essuyez manuellement ces articles immédiatement après la fin du programme.
- Les verres décorés, la porcelaine, la porcelaine fine et la porcelaine avec des bordures dorées sont sensibles au lavage en machine. Leurs motifs et

leurs couleurs peuvent disparaître au fil du temps.

- Le cristal et la verrerie très fine peuvent devenir opaques et perdre de leur éclat au fil du temps. Il est préférable de les laver à la main.
- Ne lavez pas des éponges ou des chiffons dans le lave-vaisselle.
- Ne lavez pas des œuvres d'art ou des articles artisanaux dans le lave-vaisselle.
- Les plastiques jetables et l'aluminium jetable ne supporte pas les températures élevées; ne les lavez pas dans le lave-vaisselle.



AVERTISSEMENT: En cas de doute, lavez à la main ou suivez les instructions du fabricant des ustensiles, de la vaisselle, des verres, des casseroles ou des poêles. Ne lavez pas des articles souillés par des cendres de cigarette, de la cire de chandelle, du vernis, de la peinture ou des produits chimiques car ils peuvent endommager votre lave-vaisselle.



AVIS: Quand vous achetez de la nouvelle vaisselle, nous vous recommandons de choisir des articles qui passent au lave-vaisselle (portant la mention " pour lave-vaisselle ").

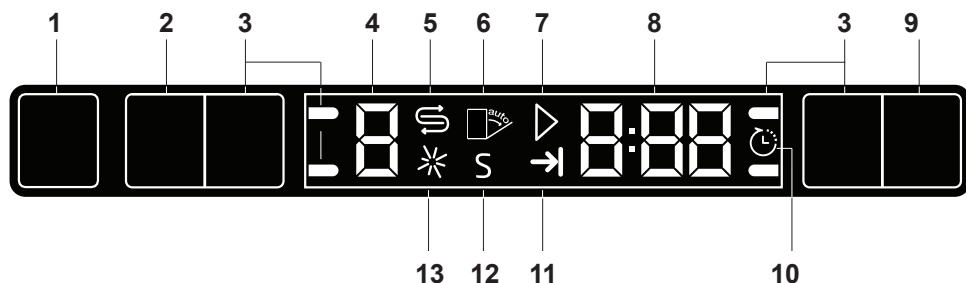
PRENDRE SOIN DE VOTRE VAISSELLE

Les températures élevées associées au détergent pour lave-vaisselle peuvent détériorer certains articles s'ils sont lavés au lave-vaisselle. N'oubliez pas : en cas de doute sur tout aspect lié aux articles à laver au lave-vaisselle, suivez les consignes du fabricant des articles ou lavez ces articles à la main.

6. FONCTIONNEMENT DE L'APPAREIL



AVIS: Si vous ne réalisez aucune opération après avoir mis en marche la machine, elle se mettra automatiquement hors tension au bout de 5 secondes.



1. Touche Marche/Arrêt
2. Touche Sélection de programme / Annulation de programme (3 secondes)
3. Touches de fonction
 - F1 Fonction Half Load (demi-charge)
 - F2 Fonction Rinçage supplémentaire
 - F3 Fonction Rapid Clean
4. Indicateur de programme
5. Indicateur de sel (EN FONCTION DES MODÈLES)
6. (non utilisé)
7. Voyant Départ / Annulation
8. Indicateur de temporisation / durée du programme
9. Touche Temporisation
10. Indicateur de temporisation
11. Indicateur de fin de programme
12. (non utilisé)
13. Indicateur de produit de rinçage

6.1 TOUCHES

Touche Marche/Arrêt

Lorsque vous appuyez sur la touche Marche/Arrêt, les voyants s'allument à l'écran pour la position Marche. Les voyants s'éteignent en position Arrêt.

Touche Sélection de programme/ Annulation de programme

Appuyez sur cette touche jusqu'à ce que le programme souhaité s'affiche dans l'indicateur de programme.

Pour annuler le programme en cours, ouvrez la porte de l'appareil. Appuyez pendant 3 secondes sur la touche Sélection de programme / Annulation de programme. À la fin du compte à rebours 3 - 2 - 1, la séquence numérique 0:01 s'affiche. Fermez la porte de l'appareil et attendez la fin de l'évacuation. L'évacuation se termine au bout de 2 minutes et l'appareil émet un signal sonore au terme de cette opération.

Touches de fonction

Lorsque vous appuyez sur l'une des touches de fonction au moment de la sélection du programme ou la sélection de la temporisation, la touche émet un signal sonore de confirmation, si la fonction souhaitée est prise en charge par le programme sélectionné. La fonction est considérée comme sélectionnée lorsque son indicateur est allumé.

Pour annuler une fonction sélectionnée, appuyez sur la touche de cette fonction jusqu'à ce que son voyant s'éteigne.

6.2 PRÉPARATION DE L'APPAREIL

1. Ouvrez la porte du lave-vaisselle.
2. Placez les plats en respectant les instructions du manuel d'utilisation.
3. Vérifiez que les hélices supérieures et inférieures pivotent librement.
4. Mettez la quantité requise de détergent dans le distributeur de détergent.

6.3 SÉLECTION DU PROGRAMME

1. Appuyez sur la touche Marche/Arrêt pour allumer l'appareil.
2. Vérifiez les indicateurs de niveau de sel et de produit de rinçage ; ajoutez les produits si nécessaire.
3. Consultez le « Tableau des données de programmes et valeurs de consommation moyenne » pour sélectionner un programme de lavage adapté à votre vaisselle.
4. Le programme sélectionné démarre lorsque vous fermez la porte de l'appareil.

TABLA DE PROGRAMAS

Numéro du programme		0	1	2	3	4	5
Nom du programme		ProCare	Pots & Pans + (Casseroles et poêles plus.)	Regular Wash * (Lavage normal)	Quick & Dry	Quick Wash (Lavage Rapide)	Rinse & Hold (Rinçage)
Lavage Températures	(°C)	72	70	50-55	47	45	0
	(°F)	160	162	122-131	116,6	113	0
Rinçage Températures	(°C)	70	72	61-67	71	55	0
	(°F)	140	158	142-157	160	131	0
Degré de saleté		-	Élevé	Moyen	Peu sale - Moyen	Peu sale	-
Déterfif dans le compartiment	15 ml	-	-	-	-	+	-
	15-25 ml + 5 ml	+	+	+	+	-	-
Quantité de déterfif recommandée	Eau dure	40	40	25-40	25-40	15-25	-
	c.à thé	8	8	5-8	5-8	3-5	-
	Eau moyenne	-	40	25	25	15	-
	c.à thé	-	8	5	5	3	-
Lavage	Eau douce	-	25-40	15-25	15-25	15	-
	c.à thé	-	5-8	3-5	3-5	3	-
Lavage principal		-	+	+	-	-	+
Séchage		-	+	+	+	+	-
Sanitize?		-	+	+	-	-	0
Durée (en minutes)		75	122	100-135	58	35	15
Eau (en litres)		15,2	20,2	8,8-21,2	10,4	11,6	4,2
Eau (en gallons)		3,80	5,34	2,32-5,60	2,70	3,10	1,10

Les valeurs liées à la consommation présentées dans le tableau ont été déterminées dans des conditions normales. Ainsi, les valeurs de consommation peuvent différer dans le cadre de votre utilisation. * Les informations sur l'étiquette sur la consommation d'énergie sont fondées sur ce programme.

6.4 FONCTIONS SUPPLÉMENTAIRES

Les programmes de lavage de votre appareil sont conçus pour vous offrir le meilleur lavage possible, en prenant en compte le type de saleté, le degré de saleté et les caractéristiques des plats à laver.

Les fonctions auxiliaires vous permettent de réaliser des économies de temps, d'eau et d'énergie.



Les fonctions supplémentaires pourraient modifier la durée du programme.



Les fonctions supplémentaires ne sont pas adaptées à tous les programmes de lavage. L'indicateur de la fonction supplémentaire non compatible avec le programme ne sera pas actif.

Fonction Rinçage supplémentaire

En fonction du type de détergent utilisé, si vous rencontrez un problème de dissolution de détergent, un détergent soluble enlèvera les taches de la vaisselle et permettra une performance optimale de rinçage.

Fonction Rapid Clean

Cette fonction raccourcit la durée du cycle de lavage sélectionné et réduit la consommation d'eau en permettant un lavage sous une pression plus élevée.

Fonction Half Load (demi-charge)

Elle est utilisée pour faire fonctionner la machine sans la charger complètement.

1. Chargez votre vaisselle dans la machine comme vous le souhaitez. Vous pouvez utiliser les paniers supérieur et inférieur.
2. Allumez la machine avec la touche Marche/Arrêt.
3. Sélectionnez le programme souhaité et appuyez sur la touche Half Load. L'indicateur Half Load s'allume sur l'affichage dans l'indicateur Fonction Selected (fonction sélectionnée).
4. Fermez la porte de la machine pour démarrer le programme.

Fonction de détection automatique du type de détergent

Le produit peut détecter automatiquement le type de détergent et ajuster le programme de lavage ainsi que le système de séchage pour une meilleure performance. En cas d'utilisation d'une capsule de détergent spécial, la durée du programme peut être augmentée de vingt (20) minutes en vue d'une optimisation de la performance de lavage et de séchage.



REMARQUE : La fonction de détection automatique du détergent doit être désactivée conformément à la norme AHAM DW-1.

Pour désactiver :

1. Après avoir mis en marche l'appareil, appuyez simultanément sur les touches Temporisation et P+. Continuez à appuyer sur ces touches jusqu'à la fin du compte à rebours 3, 2, 1 affiché.
2. Appuyez sur la touche P+ pour l'activation de l'option a:. La fonction de détection automatique du type de détergent est désactivée à la position « a:0 » et activée à la position « a:1 ». Déterminez l'option souhaitée grâce à la touche Temporisation.
3. Éteignez l'appareil en appuyant sur la touche Marche / Arrêt pour enregistrer les modifications.

Éclairage intérieur

(Varie selon le modèle)

Certains modèles possèdent un éclairage intérieur pour illuminer l'intérieur lorsque la porte est ouverte.

Changement des paramètres de l'éclairage intérieur

1. Après avoir mis en marche l'appareil, appuyez simultanément sur les touches Temporisation et P+. Continuez à appuyer sur ces touches jusqu'à ce que le compte à rebours 3, 2, 1 soit terminé.
2. Appuyez sur la touche P+ pour l'activation de l'option L :. L'éclairage intérieur est désactivé sur l'option « L:0 » et activé sur l'option « L:1 ». Déterminez l'option souhaitée grâce à la touche Temporisation.
3. Éteignez l'appareil en appuyant sur la touche Marche / Arrêt pour enregistrer les modifications.

Modification du volume du son d'avertissement

1. Après la mise en marche de l'appareil, appuyez simultanément sur les touches Temporisation et P / P+. Continuez à appuyer sur ces touches jusqu'à la fin du compte à rebours 3, 2, 1 affiché.
2. Appuyez sur la touche P / P+ pour activer l'option S :.
3. Chaque fois que vous appuyez sur la touche Temporisation, le volume de l'alarme sonore change : « S:0 » éteint, « S:1 » moyen et « S:2 » élevé.
4. Éteignez l'appareil en appuyant sur la touche Marche/Arrêt pour enregistrer les modifications.

Témoin lumineux projeté au sol Avertisseur indiquant que l'appareil est en cours de lavage

(varie selon le modèle)

L'appareil projette un signal lumineux au sol durant le lavage. Ce signal lumineux s'éteint à la fin du lavage.



Le témoin lumineux ne peut pas être annulé par l'utilisateur.

6.5 PLANIFICATION DE L'HEURE DE LAVAGE

Temporisation

Si un tarif d'électricité économique existe dans votre région, vous pouvez utiliser la fonction Temporisation pour laver votre vaisselle aux heures correspondantes.

Vous pouvez retarder le démarrage du programme sélectionné jusqu'à 24 heures.

1. Appuyez sur la fonction Temporisation après avoir sélectionné le programme de lavage et d'autres fonctions supplémentaires.
2. Une fois la touche Temporisation sélectionnée, la ligne informative de l'écran affichera « 00:30 » et l'indicateur de temporisation commencera à clignoter.
3. Réglez la durée souhaitée grâce à la touche Temporisation. L'heure augmente par palier de 30 minutes jusqu'à 6 heures et après cette étape, par palier d'une heure jusqu'à 24 heures chaque fois que vous appuyez sur la touche.
4. Fermez la porte de l'appareil après avoir programmé la temporisation. Après la temporisation, le programme sélectionné démarrera automatiquement.

Modification des paramètres avec la fonction Temporisation activée

Lorsque la fonction de temporisation est activée, vous ne pouvez pas effectuer de modifications dans le programme de lavage, les fonctions auxiliaires ou la durée de temporisation.



Le programme et les fonctions supplémentaires ne peuvent pas être réglés/modifiés après le démarrage du programme.

Pour annuler la fonction Temporisation

Ouvrez la porte du produit. Appuyez pendant 3 secondes sur les touches Sélection de programme / Annulation de programme. À la fin du compte à rebours 3 - 2 - 1, la séquence numérique 0:01 s'affiche. Fermez la porte de l'appareil et attendez la fin de l'évacuation. L'évacuation se termine au bout de 2 minutes et l'appareil émet un signal sonore au terme de cette opération.



Vous pouvez sélectionner et démarrer un nouveau programme après l'annulation de la fonction Temporisation.



La fonction Temporisation ne peut pas être activée après le démarrage du programme.

6.6 DÉMARRAGE DU PROGRAMME

Fermez la porte de l'appareil pour le mettre en marche après avoir sélectionné un programme et des fonctions auxiliaires.



EN FONCTION DES MODÈLES:

Votre appareil adoucit l'eau en fonction de la dureté de l'eau. La durée du lavage peut être différente pendant le programme selon la température ambiante du local d'installation de votre appareil, de la température de l'eau et de la quantité de vaisselle.



Veillez à ne pas ouvrir la porte lorsque l'appareil est en fonctionnement. Il se peut que de la vapeur soit expulsée à l'ouverture de la porte d'appareil; veuillez faire attention.



La machine se mettra hors tension si vous n'appuyez sur aucun bouton dans les 5 secondes après avoir ouvert la porte pendant que la machine fonctionne.



Après avoir ouvert la porte, si vous appuyez sur un bouton dans les 5 secondes qui suivent et que la porte est fermée, le programme sélectionné reprend, autrement, la machine sera mise hors tension. Ouvrez la porte après avoir mis la machine hors tension, appuyez sur le bouton de marche/arrêt et fermez la porte dans les 5 secondes qui suivent. Le programme de lavage reprendra.



L'appareil restera silencieux en mode Pause pendant quelques instants pour évacuer l'eau de l'appareil et de la vaisselle, ainsi que nettoyer l'adoucisseur d'eau. Le fonctionnement reprendra ensuite en mode Séchage.

6.7 ANNULATION DU PROGRAMME

Ouvrez la porte du produit. Appuyez pendant 3 secondes sur les touches Sélection de programme / Annulation de programme. À la fin du compte à rebours 3 - 2 - 1, la séquence numérique 0:01 s'affiche. Fermez la porte de l'appareil et attendez la fin de l'évacuation. L'évacuation se termine au bout de 2 minutes et l'appareil émet un signal sonore au terme de cette opération.



Il peut rester des résidus de détergent ou de produit de rinçage dans l'appareil et/ ou sur la vaisselle lavée, selon l'étape en cours du programme précédent au moment de l'annulation.

6.8 INDICATEUR DE SEL (☹)

(EN FONCTION DES MODÈLES)

Veillez vérifier l'indicateur de sel à l'écran pour voir s'il y a suffisamment de sel adoucissant dans votre lave-vaisselle. Vous devez remplir le réservoir de sel adoucissant chaque fois que l'indicateur de sel s'affiche sur l'appareil.



Le réglage du niveau de dureté de l'eau est expliqué dans la section Système d'adoucissement de l'eau.

6.9 INDICATEUR DE PRODUIT DE RINÇAGE (✱)

Veillez vérifier l'indicateur de produit de rinçage à l'écran pour voir s'il y a suffisamment de produit de rinçage dans votre lave-vaisselle. Vous devez remplir le réservoir de produit de rinçage chaque fois que l'indicateur correspondant s'affiche sur l'appareil.

Réglage de la quantité de produit de rinçage

1. Après avoir allumé la machine, appuyez simultanément sur les touches Temporisation et P+. Après l'affichage du compte à rebours (3, 2, 1), maintenez enfoncées lesdites touches pendant un moment.
2. Appuyez sur P + pour passer à la position (P) sur l'écran.
3. Réglez jusqu'au niveau approprié à l'aide de la touche de temporisation.
4. Appuyez sur la touche Marche /Arrêt pour enregistrer le réglage.

Aucune dose produit de rinçage distribuée en position de lavage P:0.

1 dose de produit de rinçage est distribuée en position P:1.

2 doses de produit de rinçage sont distribuées en position P:2.

3 doses de produit de rinçage sont distribuées en position P:3.

4 doses de produit de rinçage sont distribuées en position P:4.

6.10 FIN DU PROGRAMME



Lorsque le programme sélectionné touche à sa fin, un signal sonore vous avertit d'éteindre votre appareil. Ce signal sonore vous avertit à certains intervalles avant de s'éteindre.

L'indicateur de fin de programme s'allume à la fin du programme de lavage.

1. Ouvrez la porte de l'appareil.
2. Appuyez sur la touche Marche/Arrêt pour éteindre l'appareil.
3. Fermez le robinet.
4. Débranchez l'appareil de la prise.



Pour des raisons d'économie d'énergie, l'appareil s'arrête automatiquement à la fin du programme ou en cas de non-démarrage de ce programme.



Laissez votre vaisselle dans l'appareil pendant environ 15 minutes pour qu'elle refroidisse après le lavage. Votre vaisselle mettra moins de temps à sécher si vous laissez la porte de l'appareil entrouverte pendant cette période. Cette action permet d'améliorer l'efficacité de séchage de l'appareil.

6.11 INDICATEUR DE COUPURE D'EAU

Si l'arrivée d'eau est coupée ou si le robinet d'arrivée d'eau est fermé, l'appareil ne peut pas recevoir l'eau et l'icône E:02 clignote sur l'indicateur de programme. Tant que le problème persiste, le programme de lavage est interrompu et l'appareil contrôle

régulièrement l'arrivée d'eau; lorsque l'arrivée d'eau est rétablie, l'icône E:02 disparaît après un moment et le programme de lavage reprend son cycle.

6.12 AVERTISSEMENT DE DÉBOREMENT

Si l'appareil reçoit une quantité d'eau excessive ou si une fuite est détectée dans l'un des composants, il détecte ce problème et l'icône E:01 clignote sur l'indicateur de Programme. Aussi longtemps que le débordement persiste, l'algorithme de sécurité s'active et l'appareil tente d'évacuer l'eau. Si le débordement s'arrête et la sécurité est assurée, l'icône E:01 disparaît. Si E:01 ne disparaît pas, il existe une défaillance permanente. Dans ce cas, veuillez contacter le service agréé.

ProCare

Il est recommandé d'exécuter ce programme une fois par mois ou tous les 2 mois pour nettoyer l'appareil et assurer l'hygiène nécessaire. Ce programme doit être exécuté lorsque l'appareil est vide.

Pour un résultat efficace, il est recommandé d'utiliser des produits de nettoyage spéciaux adaptés à l'appareil.



N'utilisez pas ce programme pour laver de la vaisselle. Étant donné que ce programme fonctionne à très hautes températures, il n'est pas convenable pour la vaisselle.

7. DÉTERGENT

Vous pouvez utiliser du détergent en poudre, en liquide/gel ou en pastilles dans la machine.



Utilisez uniquement des détergents conçus spécialement pour les lave-vaisselle. Nous vous conseillons de ne pas utiliser des détergents contenant du chlore et du phosphate dans la mesure où ces agents sont nuisibles à l'environnement.

7.1 AJOUT DE DÉTERGENT



Lisez attentivement les avertissements sur l'emballage du détergent pour obtenir de meilleurs résultats de lavage et de séchage. Contactez le fabricant du détergent pour d'autres questions.



Ne mettez pas de solvants dans le distributeur de détergent. Il existe un risque d'explosion !

Placez le détergent dans le distributeur de détergent juste avant de mettre la machine en marche, comme illustré ci-dessous.

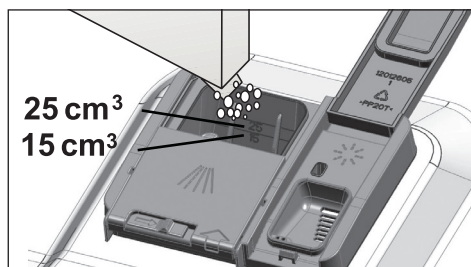
1. Poussez la manette à droite pour ouvrir le couvercle du distributeur de détergent (A).



2. Mettez la quantité conseillée de détergent en poudre, en liquide/gel ou en pastille dans le réservoir.

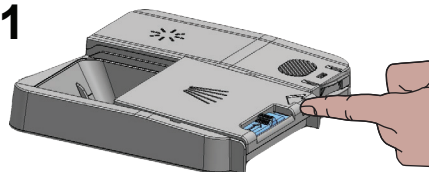


À l'intérieur du distributeur de détergent, il existe des marquages de niveau qui vous aident à utiliser la quantité appropriée de détergent en poudre. Lorsqu'il est plein, le distributeur de détergent contient 1,5 once (45 cm³) de détergent. Remplissez le détergent jusqu'à 0,5 once (15 cm³) ou 0,85 once (25 cm³) des marquages de niveau dans le distributeur de détergent en fonction de la capacité de la machine et/ou du degré de salissure de la vaisselle. Une pastille suffit si vous utilisez des détergents en pastille.

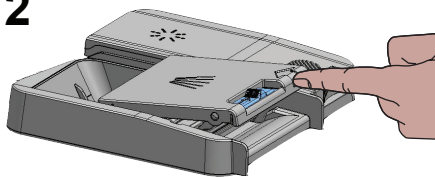


3. Poussez le couvercle du distributeur de détergent pour le fermer. A Vous entendrez un « clic » lorsque le couvercle sera fermé.

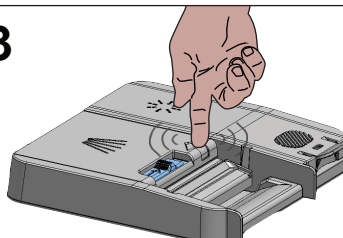
1



2



3



Utilisez le détergent en poudre ou en liquide/gel dans des programmes courts sans pré-lavage, car la solubilité du détergent en pastilles change en fonction de la température et de la durée.

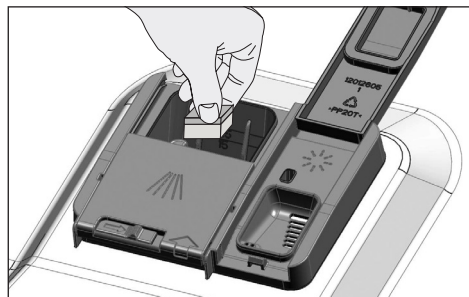
7.2 DÉTERGENTS EN PASTILLES

En plus des détergents en pastilles classiques, on trouve également sur le marché des détergents en pastille qui ont l'effet d'un sel régénérant et/ou d'un produit de rinçage. Certains types de ces détergents contiennent des composants spéciaux comme des protecteurs en acier inoxydable ou en verre. Ces pastilles montrent

leur efficacité jusqu'à un certain degré de dureté de l'eau (59 gpg). Le sel régénérant et le produit de rinçage doivent également être utilisés avec le détergent si le niveau de dureté de l'eau est supérieur au niveau mentionné.



Les meilleurs résultats de lavage dans le lave-vaisselle sont obtenus en utilisant séparément un détergent, un produit de rinçage et des sels adoucissants.



Respectez les instructions du fabricant du détergent figurant sur l'emballage lorsque vous utilisez des détergents en pastilles.



Contactez le fabricant du détergent si vos plats sont humides et/ou si vous remarquez des dépôts calcaires, en particulier sur les verres, après le lavage avec du détergent en pastilles.

Passage du détergent en poudre au détergent en pastilles :

1. Vérifiez que les réservoirs de sel et de produit de rinçage sont pleins.
2. Réglez la dureté de l'eau à son niveau maximum et faites tourner la machine à vide.

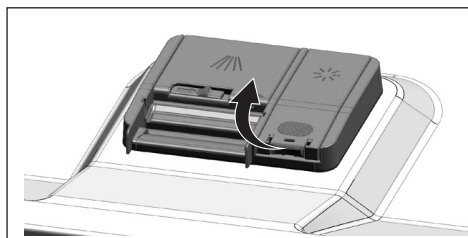
3. Après le cycle de lavage à vide, lisez le manuel d'utilisation et réglez le niveau de dureté de l'eau en fonction de l'eau qui vous est fournie.
4. Réalisez les réglages de rinçage appropriés.

7.3 PRODUIT DE RINÇAGE

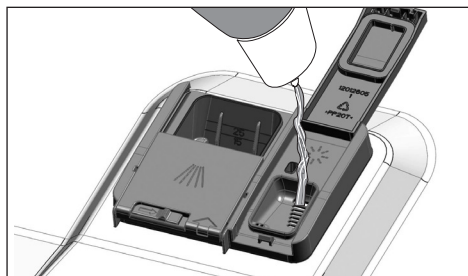


Le produit de rinçage utilisé dans les lave-vaisselle est une formule spéciale utilisée pour améliorer l'efficacité de séchage et empêcher les traces de calcaire sur les éléments lavés. Par conséquent, assurez-vous d'utiliser un produit de rinçage dans le réservoir pour produits de rinçage et des produits de rinçage conçus spécialement pour les lave-vaisselle.

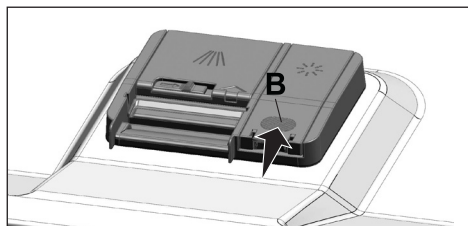
1. Ouvrez le couvercle du réservoir pour produit de rinçage à l'aide de la manette.



2. Remplissez le réservoir jusqu'au niveau « MAX ».



3. Appuyez légèrement sur le point (B) du couvercle du réservoir pour le fermer.



4. S'il y a des taches sur les couverts après le lavage, le niveau doit être augmenté et si vous observez une trace bleue après les avoir essuyé à la main, il doit être diminué. Il est réglé sur le niveau 3 comme réglage d'usine.



Le réglage du produit de rinçage est décrit dans la section « Réglage de la quantité de produit de rinçage » dans la section de fonctionnement de la machine.



Essuyez le produit de rinçage qui a débordé hors du réservoir. Le produit de rinçage qui a débordé accidentellement provoquera de la mousse et diminuera éventuellement les performances de lavage.

10. ENTRETIEN ET MAINTENANCE



ATTENTION: Avant de nettoyer ou d'entretenir votre lave-vaisselle, éteignez-le, débranchez la prise et fermez l'arrivée d'eau.



ATTENTION: Ne réparez pas, ne remplacez pas toute pièce du lave-vaisselle, ou n'essayez pas de faire des modifications à moins que cela soit expressément recommandé par ce manuel. Le lave-vaisselle ne doit être réparé que par un agent de maintenance autorisé.



AVERTISSEMENT: Pour prévenir tout risque de chute, faites en sorte que le sol autour du lave-vaisselle soit toujours propre et sec. Évitez toute accumulation de matériaux combustibles, comme de la charpie, des chiffons et des produits chimiques.

Si le lave-vaisselle n'est pas utilisé pendant une longue période, nous vous recommandons de vérifier que les paniers sont vides, de laisser l'intérieur du lave-vaisselle dans un bon état de propreté, de laisser la porte entrouverte pour que l'air puisse circuler, de débrancher la prise et de fermer l'arrivée d'eau du lave-vaisselle.

10.1 ENTREtenir LA COQUE DE VOTRE LAVE-VAISSELLE



AVERTISSEMENT:

Éventuels dégâts subis par le lave-vaisselle : Les nettoyants abrasifs, les tampons à récurer, les linges abrasifs (essuie-tout) peuvent endommager la porte décorative du lave-vaisselle.

Nettoyage du panneau de commandes:

N'utilisez que des linges doux légèrement imbibés de détergent doux. Nettoyez le panneau de commandes seulement avec un linge légèrement humide et de l'eau claire.

Nettoyage des portes colorées:

N'utilisez que des linges doux légèrement imbibés de détergent doux.

Nettoyage des portes en acier inoxydable:

Utilisez un linge doux imbibé de produit nettoyant conçu pour le nettoyage de l'acier inoxydable. Pour des résultats optimaux, versez du nettoyant pour acier inoxydable sur un linge doux et essuyez la surface dans le sens du grain.

Nettoyage du joint de la porte:

Nettoyez régulièrement le joint de la porte avec un linge humide pour enlever les particules de nourriture et les autres résidus. Utilisez un nettoyant ménager doux pour les joints extérieurs et de la porte et rincez abondamment.

10.2 ENTREtenir VOTRE LAVE-VAISSELLE



AVIS: Un nettoyage à intervalles réguliers de votre lave-vaisselle garantit une durée de vie plus longue du produit et réduit le risque de problèmes récurrents. Débranchez toujours l'appareil avant de le laver.

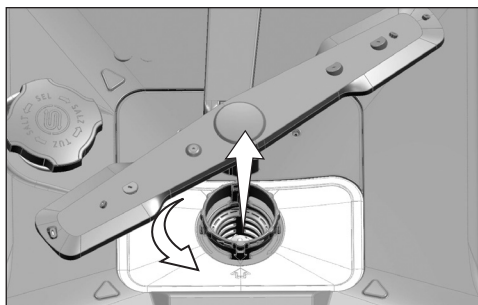


AVERTISSEMENT: Quand vous nettoyez le dessous du filtre principal, prenez garde au bord extérieur tranchant pour éviter de vous couper.

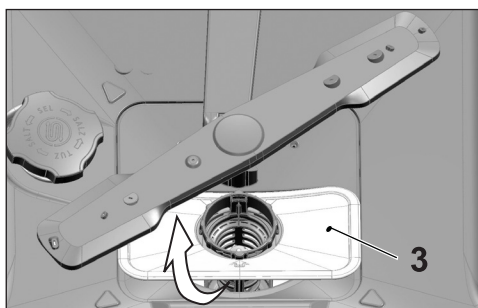
10.3 NETTOYAGE DES FILTRES

Nettoyez les filtres au moins une fois par semaine pour que l'appareil fonctionne correctement. Vérifiez s'il y a présence de résidus de nourriture sur les filtres. S'il y a des résidus de nourriture sur les filtres, enlevez-les et nettoyez-les bien sous l'eau.

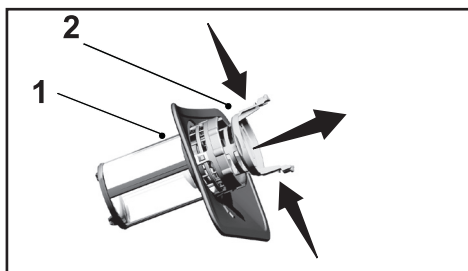
1. Tournez l'ensemble du microfiltre (1) et du filtre dégrossisseur (2) dans le sens inverse des aiguilles d'une montre et retirez-le de son emplacement.



2. Retirez le filtre en métal/plastique (3) de son assise.



3. Pressez les deux cliquets du filtre dégrossisseur vers l'intérieur et séparez le filtre dégrossisseur de l'assemblage.



4. Nettoyez les trois filtres sous le robinet à l'aide d'une brosse.
5. Remplacez le filtre en métal/plastique.
6. Placez le filtre dégrossisseur dans le microfiltre. Assurez-vous qu'il soit installé de manière convenable. Tournez le filtre dégrossisseur dans le sens des aiguilles d'une montre jusqu'à ce que vous entendiez un clic.



N'utilisez pas le lave-vaisselle sans filtre.



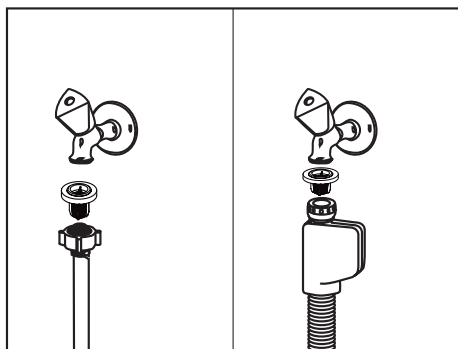
La mauvaise disposition des filtres réduira l'efficacité de lavage.

10.4 NETTOYAGE DU FILTRE DU TUYAU

Les dommages qui peuvent être causés à l'appareil par des impuretés provenant de l'eau de ville ou de votre propre installation d'eau (par exemple du sable, de la poussière, de la rouille, etc.), peuvent être évités grâce au filtre fixé au robinet d'arrivée d'eau. Vérifiez régulièrement le filtre et le tuyau ; nettoyez-les si nécessaire.

1. Fermez le robinet et enlevez le tuyau.
2. Après avoir sorti le filtre, lavez-le sous l'eau courante
3. Remplacez le filtre nettoyé dans son emplacement dans le tuyau.
4. Fixez le tuyau au robinet.

(EN FONCTION DES MODÈLES)

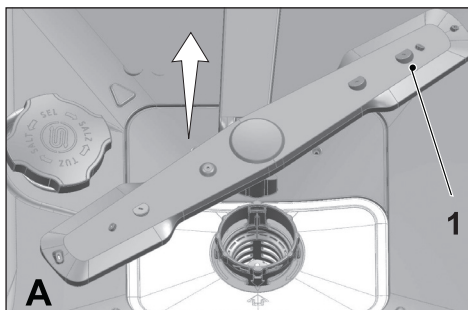


10.5 NETTOYAGE DES BRAS GICLEURS

Nettoyez les bras gicleurs au moins une fois par semaine pour que l'appareil fonctionne correctement.

BRAS GICLEURS INFÉRIEURS

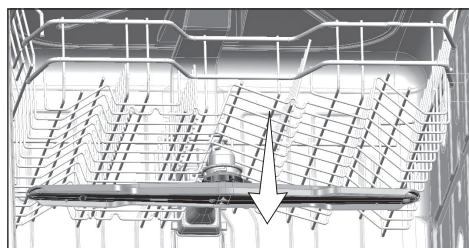
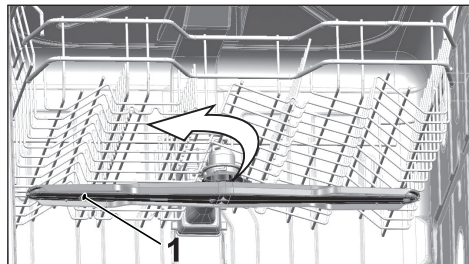
Contrôlez si les trous des bras gicleurs inférieurs (1) sont bouchés. S'ils le sont, retirez l'hélice et nettoyez les saletés. Soulevez les bras gicleurs inférieurs pour les retirer.



BRAS GICLEURS SUPÉRIEURS

Contrôlez si les trous de l'hélice supérieure (1) sont bouchés. S'ils le sont, retirez les bras gicleurs et nettoyez les saletés. Tournez l'écrou vers la gauche pour retirer les bras gicleurs supérieurs.

Assurez-vous que l'écrou est bien serré quand vous installez les bras gicleurs supérieurs.



11. DÉPANNAGE

L'appareil ne démarre pas.

- Le câble d'alimentation est débranché. >>> Vérifiez si le câble d'alimentation est branché.
- Le disjoncteur est grillé. >>> Vérifiez le disjoncteur dans votre maison.
- L'arrivée d'eau est coupée. >>> Assurez-vous que le robinet d'arrivée d'eau est ouvert.
- La porte de la machine est ouverte. >>> Assurez-vous d'avoir fermé la porte de la machine.
- Le bouton de marche/arrêt n'est pas enfoncé. >>> Assurez-vous d'avoir allumé l'appareil en appuyant sur le bouton de marche/arrêt.

Les plats ne sont pas bien lavés

- Les plats ne sont pas rangés dans la machine. >>> Chargez la vaisselle comme décrit dans le manuel d'utilisation.
- Le programme sélectionné n'est pas adapté. >>> Sélectionnez un programme avec une température et un temps de cycle plus élevés.
- Les bras gicleurs sont bloqués. >>> Avant de lancer le programme, tournez manuellement les bras gicleurs inférieurs et supérieurs pour vous assurer qu'ils tournent librement.
- Les trous des bras gicleurs sont bouchés. >>> Les trous des bras gicleurs inférieurs et supérieurs peuvent être obstrués par de petites particules d'aliments et des débris. Nettoyez les bras gicleurs régulièrement comme illustré à la section « Nettoyage et entretien ».
- Les filtres sont obstrués. >>> Vérifiez si le système de filtre est propre. Nettoyez le système de filtre régulièrement comme illustré à la section « Nettoyage et entretien ».
- Les filtres sont installés de manière incorrecte. >>> Vérifiez le système de filtre et assurez-vous qu'il est correctement installé.
- Les paniers sont surchargés. >>> Ne surchargez pas les paniers au-delà de leur capacité.
- Le détergent est stocké dans des conditions inappropriées. >>> Si vous utilisez un détergent en poudre, ne rangez pas l'emballage de détergent dans des endroits humides. Gardez-le dans un récipient fermé si possible. Pour faciliter le stockage, nous vous recommandons d'utiliser des détergents en pastille.
- La quantité de détergent n'est pas suffisante. >>> Si vous utilisez un détergent en poudre, réglez la quantité de détergent en fonction du degré de salissure de votre vaisselle et/ou des réglages de programme. Nous vous recommandons d'utiliser des détergents en pastille pour des résultats optimaux.
- La quantité de produit de rinçage n'est pas suffisante. >>> Vérifiez l'indicateur de produit de rinçage et ajoutez le produit de rinçage si nécessaire. Augmentez le réglage du produit de rinçage s'il y a suffisamment de produit de rinçage dans la machine.
- Le couvercle du distributeur de détergent est laissé ouvert. >>> Assurez-vous que le couvercle du distributeur de détergent est bien fermé après l'ajout de détergent.

Les plats ne sont pas secs à la fin du cycle

- Les plats ne sont pas rangés dans la machine. >>> Placez votre vaisselle de manière à ce que l'eau ne s'y accumule pas.
- La quantité de produit de rinçage n'est pas suffisante. >>> Vérifiez l'indicateur de produit de rinçage et ajoutez le produit de rinçage si nécessaire. Augmentez le réglage du produit de rinçage s'il y a suffisamment de produit de rinçage dans la machine.
- La machine est déchargée juste après la fin du programme. >>> Ne déchargez pas votre machine juste après le processus de lavage. Ouvrez légèrement la porte et attendez l'évacuation de la vapeur à l'intérieur pendant un moment. Déchargez la vaisselle après que les articles se sont refroidis à un niveau approprié. Lancez le processus de déchargement du panier inférieur. Ainsi, vous pourrez éviter que les gouttes d'eau restantes sur les articles du panier supérieur ne tombent sur les articles du panier inférieur.
- Le programme sélectionné n'est pas adapté. >>> Puisque la température de rinçage est basse au programme avec une courte durée, les performances de séchage seront également faibles. Sélectionnez le programme avec une durée plus longue pour une performance de séchage plus élevée.
- La qualité de surface des ustensiles de cuisine est détériorée. >>> Les performances de lavage souhaitées ne peuvent pas être obtenues sur des ustensiles de cuisine dont les surfaces sont détériorées. En outre, il n'est pas recommandé d'utiliser de tels ustensiles pour des raisons d'hygiène. De plus, l'eau ne peut pas circuler facilement sur des surfaces détériorées. Il n'est pas recommandé de laver ces ustensiles de cuisine dans le lave-vaisselle.



Il est normal que les ustensiles de cuisine en Téflon présentent des problèmes de séchage. Cela est dû à la structure du Téflon. Étant donné les tensions superficielles du Téflon et de l'eau sont différentes, les gouttelettes d'eau resteront comme des perles sur la surface du Téflon.

Taches restantes sur la vaisselle à la fin du cycle.

- Le programme sélectionné n'est pas adapté. >>> Sélectionnez un programme avec une température et un temps de cycle plus élevés.
- La qualité de surface des ustensiles de cuisine est détériorée. >>> Les taches de thé et de café ou autres taches de teinture ne peuvent pas être nettoyées au lave-vaisselle lorsqu'elles ont pénétré dans des surfaces détériorées. Les performances de lavage souhaitées ne peuvent pas être obtenues sur des ustensiles de cuisine dont les surfaces sont détériorées. En outre, il n'est pas recommandé d'utiliser de tels ustensiles pour des raisons d'hygiène. Il n'est pas recommandé de laver ces ustensiles de cuisine dans le lave-vaisselle.
- Le détergent est stocké dans des conditions inappropriées. >>> Si vous utilisez un détergent en poudre, ne rangez pas l'emballage de détergent dans des endroits humides. Gardez-le dans un récipient fermé si possible. Pour faciliter le stockage, nous vous recommandons d'utiliser des détergents en pastille.

Des traces de chaux restent sur les plats et la verrerie a une apparence brumeuse

- La quantité de produit de rinçage n'est pas suffisante. >>> Vérifiez l'indicateur de produit de rinçage et ajoutez le produit de rinçage si nécessaire. Augmentez le réglage du produit de rinçage s'il y a suffisamment de produit de rinçage dans la machine.
- Le réglage de la dureté de l'eau est faible ou le niveau de sel est insuffisant >>> Mesurez la dureté de l'eau d'alimentation de manière appropriée et vérifiez le réglage de la dureté de l'eau.
- Il y a une fuite de sel. >>> Faites attention à ne pas verser du sel autour du trou de remplissage de sel lorsque vous ajoutez du sel. Assurez-vous que le couvercle du réservoir de sel est bien fermé après le processus de remplissage. Exécutez le programme de pré-lavage pour éliminer le sel qui s'est répandu à l'intérieur de la machine. Étant donné que les granulés de sel qui resteront sous le couvercle se dissoudront pendant le pré-lavage, entraînant le desserrement du couvercle, vérifiez à nouveau le couvercle à la fin du programme.

Il se dégage une odeur différente de la machine



Une nouvelle machine a une odeur particulière. Cette odeur disparaîtra après quelques cycles de lavage.

- Les filtres sont obstrués. >>> Vérifiez si le système de filtre est propre. Nettoyez le système de filtre régulièrement comme illustré à la section « Nettoyage et entretien ».
- Les ustensiles sales sont conservés dans le lave-vaisselle pendant 2 à 3 jours. >>> Si vous n'allez pas démarrer la machine juste après avoir mis la vaisselle, retirez les restes de la vaisselle et lancez le programme de pré-lavage sans détergent tous les 2 jours. Dans ce cas, ne fermez pas complètement la porte de la machine afin d'éviter l'accumulation d'odeurs dans la machine. Vous pouvez également utiliser des produits anti-odeurs ou des nettoyeurs mécaniques disponibles dans le commerce.

Il se produit de la rouille, une décoloration ou une détérioration de la surface sur les plats

- Il y a une fuite de sel. >>> Le sel peut provoquer une détérioration et une oxydation sur les surfaces métalliques. Faites attention à ne pas verser du sel autour du trou de remplissage de sel lorsque vous ajoutez du sel. Assurez-vous que le couvercle du réservoir de sel est bien fermé après le processus de remplissage. Exécutez le programme de pré-lavage pour éliminer le sel qui s'est répandu à l'intérieur de la machine. Étant donné que les granulés de sel qui resteront sous le couvercle se dissoudront pendant le pré-lavage, entraînant le desserrement du couvercle, vérifiez à nouveau le couvercle à la fin du programme.
- Les résidus d'aliments salés sont restés sur les plats pendant une longue période. >>> Si de l'argenterie souillée par de tels aliments est gardée en attente dans la machine, la saleté doit être éliminée par pré-lavage ou la vaisselle doit être lavée immédiatement.

- L'installation électrique n'est pas mise à la terre. >>> Vérifiez si votre machine est connectée à la ligne de mise à la terre réelle. Dans le cas contraire, l'électricité statique produite dans l'appareil provoque des arcs sur les surfaces des articles métalliques, ce qui crée des pores, enlève le couvercle de protection sur la surface et provoque une décoloration.
- Des nettoyants intensifs tels que des agents de blanchiment sont utilisés. >>> Le couvercle de protection des surfaces métalliques est endommagé et perd son efficacité à la longue lorsqu'il entre en contact avec des nettoyants tels que l'eau de Javel. Ne lavez pas votre vaisselle avec de l'eau de javel.
- Les articles en métal, en particulier les couteaux, sont utilisés à des fins autres que celles prévues. >>> Les couvercles de protection sur les bords des couteaux peuvent être endommagés lorsqu'ils sont utilisés à des fins telles que l'ouverture des canettes. N'utilisez pas les ustensiles de cuisine en métal à des fins autres que celles prévues.
- L'argenterie est faite d'acier inoxydable de basse qualité. >>> La corrosion sur de tels articles est inévitable; ils ne devraient pas être lavés dans des lave-vaisselle.
- Des ustensiles de cuisine déjà corrodés sont lavés au lave-vaisselle. >>> La rouille sur un objet corrodé peut migrer vers d'autres surfaces en acier inoxydable et provoquer de la corrosion sur ces surfaces. Ces articles ne doivent pas être lavés dans les lave-vaisselle.

Il reste du détergent dans le distributeur.

- Le distributeur de détergent était humide lors de l'ajout de détergent. >>> Assurez-vous que le distributeur de détergent est bien séché avant de le remplir de détergent.
- Le détergent est ajouté longtemps avant le processus de lavage. >>> Faites attention à ajouter du détergent peu de temps avant le démarrage du lavage.
- Il est impossible d'ouvrir le couvercle du distributeur de détergent pendant le lavage. >>> Disposez la vaisselle de manière à ne pas empêcher l'ouverture du couvercle du distributeur de détergent et l'arrivée d'eau dans la machine par les roues.
- Le détergent est stocké dans des conditions inappropriées. >>> Si vous utilisez un détergent en poudre, ne rangez pas l'emballage de détergent dans des endroits humides. Gardez-le dans un récipient fermé si possible. Pour faciliter le stockage, nous vous recommandons d'utiliser des détergents en pastille.
- Les trous des bras gicleurs sont bouchés. >>> Les trous des bras gicleurs inférieurs et supérieurs peuvent être obstrués par des restes d'aliments tels que des pépins de citron. Nettoyez le bras gicleur régulièrement comme illustré à la section « Nettoyage et entretien ».

Les décorations et les ornements sur les ustensiles de cuisine s'effacent .



Les verres décorés et les porcelaines décoratives ne conviennent pas au lavage au lave-vaisselle. Les fabricants de verrerie et de vaisselle en porcelaine ne recommandent pas non plus de laver ces ustensiles de cuisine dans les lave-vaisselle.

Les ustensiles sont rayés.



Les ustensiles de cuisine qui contiennent ou sont en aluminium ne doivent pas être lavés au lave-vaisselle.

- Il y a une fuite de sel. >>> Faites attention à ne pas verser du sel autour du trou de remplissage de sel lorsque vous ajoutez du sel. Le sel renversé peut causer des rayures. Assurez-vous que le couvercle du réservoir de sel est bien fermé après le processus de remplissage. Exécutez le programme de pré-lavage pour éliminer le sel qui s'est répandu à l'intérieur de la machine. Étant donné que les granulés de sel qui resteront sous le couvercle se dissoudront pendant le pré-lavage, entraînant le desserrement du couvercle, vérifiez à nouveau le couvercle à la fin du programme.
- Le réglage de la dureté de l'eau est faible ou le niveau de sel est insuffisant >>> Mesurez la dureté de l'eau d'alimentation de manière appropriée et vérifiez le réglage de la dureté de l'eau.
- Les plats ne sont pas rangés dans la machine. >>> Lorsque vous placez les verres et autres objets en verre dans le panier, n'appuyez pas sur les autres plats, mais sur les bords ou les supports du panier ou sur le fil de support en verre. Le fait que les verres se heurtent les uns aux autres ou à d'autres plats en raison de l'impact de l'eau pendant le lavage peut provoquer des ruptures ou des rayures sur leurs surfaces.

Un frottis ayant l'aspect d'une tache de lait reste sur les verres, et ne peut pas être éliminé lorsqu'on essuie à la main. Le verre prend une coloration arc-en-ciel / bleutée lorsque qu'il est pointé vers la lumière.

- Le produit de rinçage est utilisé en quantité excessive >>> Réglage du produit de rinçage inférieur. Nettoyez le produit de rinçage déversé lors de l'ajout du produit de rinçage.
- La corrosion s'est produite sur le verre à cause de l'eau douce. >>> Mesurez la dureté de l'eau d'alimentation de manière appropriée et vérifiez le réglage de la dureté de l'eau. Si votre eau d'alimentation est douce (<15 gpg), n'utilisez pas de sel. Choisissez des programmes qui lavent à des températures plus élevées (140-149 degrés Fahrenheit). Vous pouvez également utiliser des détergents protecteurs en verre disponibles dans le commerce.

De la mousse se forme dans la machine.

- Les plats sont lavés à la main avec un détergent pour lavage à la main, mais pas rincés avant d'être disposés dans la machine. >>> Les détergents pour lavage à la main ne contiennent pas d'anti-mousse. Il n'est pas nécessaire de laver à la main la vaisselle avant de la placer dans la machine. Enlever le sol grossier sur la vaisselle sous l'eau du robinet, avec une éponge ou une serviette.
- Le produit de rinçage s'est répandu dans la machine lors de l'ajout du produit de rinçage. >>> Veillez à ne pas renverser de produit de rinçage dans la machine lorsque vous la remplissez. Nettoyez le produit de rinçage renversé à l'aide d'un mouchoir en papier ou d'une serviette.

- Le couvercle du réservoir de produit de rinçage reste ouvert. >>> Assurez-vous que le couvercle du réservoir de produit de rinçage est fermé après l'ajout du produit de rinçage.

Les ustensiles de cuisine sont endommagés.

- Les plats ne sont pas rangés dans la machine. >>> Chargez la vaisselle comme décrit dans le manuel d'utilisation.
- Les paniers sont surchargés. >>> Ne surchargez pas les paniers au-delà de leur capacité.

L'eau reste dans le lave-vaisselle à la fin du programme .

- Les filtres sont obstrués. >>> Vérifiez si le système de filtre est propre. Nettoyez le système de filtre régulièrement comme illustré à la section « Nettoyage et entretien ».
- Le tuyau de vidange est bouché / bloqué. >>> Vérifiez le tuyau de vidange. Si nécessaire, retirez le tuyau de vidange, dégagez le blocage et insérez-le comme illustré dans le manuel d'utilisation.



Si vous ne pouvez pas éliminer le problème bien que vous suiviez les instructions de cette section, consultez votre revendeur ou l'agent de service agréé. N'essayez jamais de réparer vous-même un produit non fonctionnel.

12. CARACTÉRISTIQUES TECHNIQUES

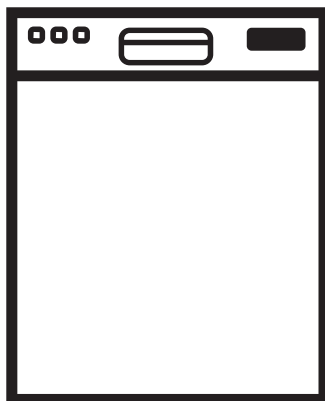
Capacité de charge	Services de 14 pièces
Pression de l'eau supportable	4,35 - 145 psi (0,3-10 bars)
Branchement électrique	120V(volts),12A(ampères),60Hz(hertz)
Puissance totale	1400 W (watts)
Puissance de chauffe	1100 W (watts)



AVIS:Nous nous efforçons continuellement d'améliorer nos produits. Ainsi, nous pouvons modifier nos spécifications et notre conception sans avis préalable. Cet appareil est conforme aux directives suivantes :
directive UL749 sur les lave-vaisselle résidentiels.

Lavavajillas

Manual de uso y cuidado



F6DWT24SS2

F6DWT24FI2

Para prevenir accidentes que pudieran causar heridas graves o muerte o dañar las máquinas, lea estas instrucciones antes de la instalación o uso.

CONTENIDO

1. INSTRUCCIONES DE SEGURIDAD IMPORTANTES	1
2. RECICLAJE	4
3 CONOZCA SU LAVAVAJILLAS	5
4 CARGAR EL LAVAVAJILLAS	6
4.1 CANASTILLO SUPERIOR	9
4.2 CANASTILLO INFERIOR	12
4.3 FORMAS DE CARGA CORRECTAS E INCORRECTAS EN EL LAVAVAJILLAS	18
5. COSAS QUE NO DEBEN LAVARSE EN EL LAVAVAJILLAS	19
6. UTILIZACIÓN DEL APARATO	20
6.1 TECLAS	21
6.2 PREPARACIÓN DEL LAVAVAJILLAS	21
6.3 SELECCIÓN DE PROGRAMA	21
6.4 FUNCIONES AUXILIARES	23
6.5 PROGRAMAR LA HORA DE LAVADO	25
6.6 INICIAR EL PROGRAMA	26
6.7 CANCELAR EL PROGRAMA	26
6.8 INDICADOR DE SAL (S)	27
6.9 INDICADOR DE ABRILLANTADOR (☼)	27
6.10 FINALIZACIÓN DEL PROGRAMA	27
6.11 ADVERTENCIA SOBRE EL CORTE DE AGUA	28
6.12 ADVERTENCIA SOBRE EL DESBORDAMIENTO DE AGUA	28
7. DETERGENTE	29
7.1 AÑADIR DETERGENTE	29
7.2 INDICADOR DE DETERGENTE DE TABLETA	30
7.3 ABRILLANTADOR	31
10. CUIDADO Y MANTENIMIENTO	34
10.1 CUIDADO DEL EXTERIOR DEL LAVAVAJILLAS	35
10.2 CUIDADO DEL LAVAVAJILLAS	35
10.3 LIMPIEZA DE LOS FILTROS	36
10.4 LIMPIEZA DE LOS FILTROS	37
10.5 LIMPIEZA DE LOS BRAZOS DE PULVERIZACIÓN	37
11 SOLUCIÓN DE PROBLEMAS	39
12. CARACTERÍSTICAS TÉCNICAS	44

INTRODUCCIÓN

Lea este manual del usuario, en especial las instrucciones de seguridad completa y cuidadosamente. Le ahorrará tiempo y esfuerzo y lo ayudará a asegurar un rendimiento óptimo del lavavajillas.

Asegúrese de respetar todas las advertencias y precauciones. Busque especialmente los iconos que tienen signos de exclamación adentro. La información del icono le proporcionará referencias importantes.



ADVERTENCIA Indica una situación potencialmente peligrosa que, si no se evita, podría provocar muerte o heridas graves.



PRECAUCIÓN Indica una situación potencialmente peligrosa que, si no se evita, podría provocar heridas graves. También puede utilizarse para alertar ante prácticas inseguras.



AVISO: Indica una situación potencialmente peligrosa que, si no se evita, podría provocar daños al lavavajillas, a la vajilla, al equipo o al medio ambiente.

1. INSTRUCCIONES DE SEGURIDAD IMPORTANTES



ADVERTENCIA: Cuando utiliza el lavavajillas siga las precauciones básicas, que incluyen lo que figura a continuación:
¡Lea todas las instrucciones antes de usar el lavavajillas! Conserve estas instrucciones de funcionamiento y páselas a cualquier futuro usuario.




Este dispositivo cumple con Pail 15 de las reglas de la FCC. El funcionamiento está sujeto a las siguientes dos condiciones: (1) este dispositivo no puede causar interferencias perjudiciales, y (2) este dispositivo debe aceptar cualquier interferencia recibida, incluidas las interferencias que puedan causar un funcionamiento no deseado. No se deben realizar cambios al equipo sin el consentimiento del fabricante ya que esto podría anular la autorización del usuario para trabajar con dicho equipo.

- Use el lavavajillas solo para el fin previsto tal como se describe en el manual del usuario. Este electrodoméstico está diseñado para uso doméstico exclusivamente.
- **El fabricante no se responsabiliza por daños o lesiones causadas por un uso inadecuado del electrodoméstico**


- La información proporcionada en este manual debe respetarse a fin de minimizar el riesgo de incendio o explosión y para prevenir un daño a la propiedad, lesiones personales o pérdidas de vida.
- No ponga en funcionamiento el lavavajillas a menos que todos los paneles de cierre estén ubicados correctamente.
- No altere los controles.
- No maltrate el lavavajillas, ni se siente encima ni se pare sobre él, sobre la puerta o sobre el escurrerplatos de la máquina.
- Las rejillas apoya tazas están diseñadas para apoyar tazas, vasos y utensilios de cocina. Cuando las rejillas para tazas están en el lavavajillas, no se apoye o utilice las rejillas para tazas para soportar el peso de su cuerpo.
- Para reducir el riesgo de lesiones, no permita que los niños jueguen dentro o cerca del lavavajillas.
- Utilice solamente detergentes o abrillantador recomendados para usar en un lavavajillas doméstico y consérvelos en un lugar seco, fuera del alcance de los niños. Revise que el compartimento para el detergente esté vacío luego de completar cada programa de lavado.
- Los detergentes del lavavajillas contienen químicos que pueden causar enfermedad o mareos si se los inhala o traga. Además, tenga cuidado cuando abre la puerta con el vapor caliente que se genera durante el funcionamiento. Póngase inmediatamente en contacto con un médico si ha tragado o inhalado el detergente.
- Si no se ha utilizado el agua caliente durante varias semanas, le recomendamos que deje correr el agua caliente de los grifos para quitar los gases de hidrógeno que se hayan acumulado
- No guarde o utilice líquidos inflamables o vapores en el área del lavavajillas.
- Cuando carga los elementos a lavar, coloque los que son puntiagudos de manera tal que no dañen la junta de la puerta, y cargue los cuchillos filosos con los mangos hacia arriba para reducir el riesgo de heridas por cortes.
- No lave elementos de plástico a menos que estén marcados como «adecuados para lavavajillas». Para los elementos de plástico que no registren indicaciones, consulte las recomendaciones del fabricante
- En el caso de que ocurriera alguna avería, apague el electrodoméstico y cierre el suministro de agua que va al lavavajillas.
- No intente transportar el lavavajillas por su cuenta para evitar daños potenciales. Se necesitan dos o más personas para mover el lavavajillas.
- Antes de limpiar o llevar a cabo un mantenimiento, apague el electrodoméstico, desconecte el cable de alimentación y corte el suministro de agua.
- Las reparaciones y modificaciones técnicas deben llevarse a cabo exclusivamente por un técnico autorizado.
- Si el lavavajillas no se utiliza por un período prolongado (por ejemplo, durante vacaciones), le recomendamos que quite todos los elementos del lavavajillas, que deje la puerta entornada para permitir la circulación de aire, desconecte la corriente y cierre la carga de agua al lavavajillas.


- Este electrodoméstico viene con cables de alimentación NEMA 5-15P 15A con enchufe de tres clavijas. El aparato debe conectarse a un toma de pared polarizado y con conexión a tierra que haya instalado y probado un electricista matriculado y que haya sido instalado conforme a todos los códigos de electricidad federales, estatales y locales.

	<p>ADVERTENCIA: una conexión inadecuada del conductor de descarga a tierra del equipo puede derivar en un riesgo de descarga eléctrica. Revise la instalación con un electricista matriculado o un representante de servicio si tiene dudas sobre la correcta puesta a tierra del electrodoméstico. No modifique el enchufe que viene con el aparato, si no encaja, si no encaja en el toma corriente haga que un electricista matriculado le instalen un toma corriente apropiado.</p>
--	--

- Este electrodoméstico produce ozono en el compartimento de lavado durante el funcionamiento normal. La exposición prolongada al ozono o la exposición a niveles elevados puede causar problemas respiratorios, especialmente a las personas enfermas, a las personas mayores o a los niños.
- Los niños no deben hacer funcionar la máquina sin la supervisión de un adulto.
- Tenga cuidado de no dejar la puerta totalmente abierta cuando no está cargando o descargando el electrodoméstico, para prevenir que

alguna persona se tropiece con la unidad.

	<p>ADVERTENCIA: si su lavavajillas está equipado con iluminación interna, la lámpara solo debe cambiarla un agente de servicio autorizado, en caso de fallas que puedan ocurrir en la lámpara.</p>
---	---

	<p>ADVERTENCIA: Este producto puede exponerlo a químicos que, según el estado de California, causan cáncer, como por ejemplo el níquel (metálico).</p> <p>Para más información, visite www.P65Warnings.ca.gov</p> <p>Nota: El níquel es un componente de todos los aceros inoxidables y otros metales.</p>
---	---

GUARDE ESTAS INSTRUCCIONES

- El servicio de mantenimiento lo debe realizar un instalador certificado. El trabajo hecho por personas no calificadas puede ser peligroso y anular la garantía.
- No ponga a funcionar la máquina si se encuentra dañada, no funciona correctamente o está parcialmente desmontada, si hay partes que faltan o están rotas.
- Antes de la instalación o servicio, desconecte el suministro de energía para trabajar el área desconectando la unidad, activando el disyuntor o quitando el fusible.
- Por razones de seguridad, el lavavajillas debe quedar asegurado a un mueble adyacente usando los soportes provistos. El no hacerlo

puede causar daño a la propiedad o lesiones físicas.

- No utilice ninguna extensión de cable o dispositivo de salida portátil para conectar el lavavajillas a un suministro de energía.

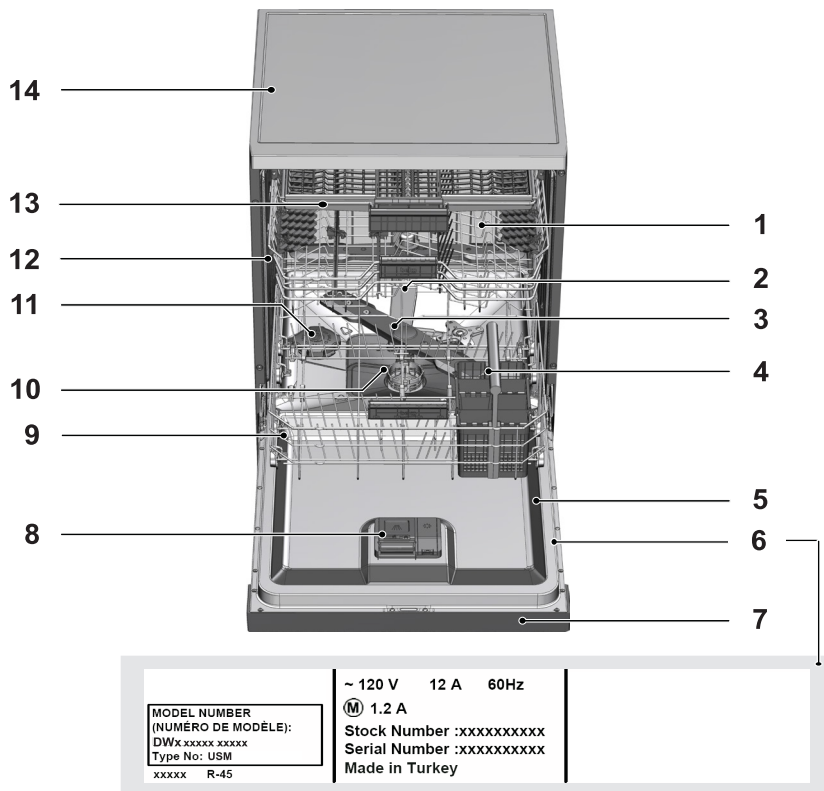
2. RECICLAJE

- Quite la puerta del compartimento de lavado cuando quite o descarte un antiguo lavavajillas. Asegúrese de que el electrodoméstico no presente peligro alguno para los niños mientras que se lo guarda para descartar.
- Retire el cierre de la puerta del compartimento de lavado antes de deshacerse del lavavajillas para que los niños o animales pequeños no puedan quedar atrapados dentro.
- Los antiguos aparatos pueden contener materiales que pueden reciclarse. Contáctese con una autoridad local de reciclaje para consultar las posibilidades de reciclar estos materiales.
- Revise la línea de suministro de agua periódicamente. Es susceptible a roturas. Se vuelve menos flexible con el paso del tiempo. Cámbiela inmediatamente cuando esté rasgada, se corte, se hinche o haya filtraciones de agua.
- Mantenga el embalaje del lavavajillas fuera del alcance de los niños después de desempaquetarlo.

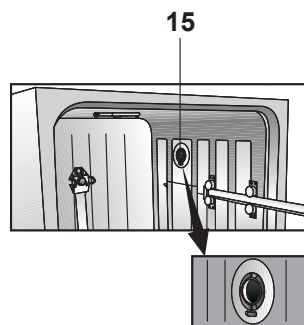


ADVERTENCIA: ¡Peligro de asfixia! Asegúrese de que los envoltorios de plástico, bolsas, pequeñas piezas, etc., se desechan de forma segura y se encuentran fuera del alcance de los niños.

3 CONOZCA SU LAVAVAJILLAS



1. Cesta superior
2. Impulsor superior
3. Impulsor inferior
4. Cesta para la cubertería
5. Puerta
6. Etiqueta con serie y modelo
7. Panel de control
8. Detergente y dispensador para el aclarado
9. Cesta inferior
10. Filtros
11. Recipiente para la sal (modelos selectos)
12. Riel de la cesta superior
13. Cesta superior para los cubiertos (modelos selectos)
14. Tabla superior (modelos selectos)
15. Sistema de secado con calor por turbo ventilador (modelos selectos)



4 CARGAR EL LAVAVAJILLAS

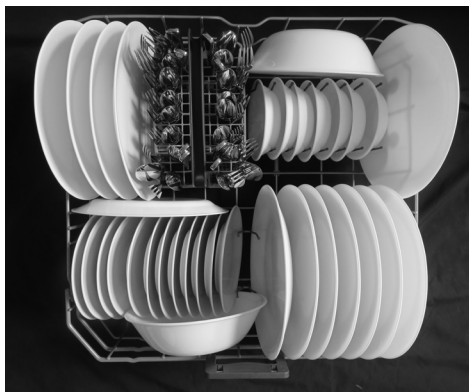
- 1 Tire de la manija para abrir la puerta. Si la puerta se abre durante el funcionamiento, el lavavajillas dejará de funcionar. Una vez que esté cerrada la puerta el programa continuará.
2. Quite el grueso de la comida sobrante de la vajilla.
3. Ahora puede cargar el lavavajillas.

Rejilla superior (modelo estándar)



Modelo de carga de 12 lugares en la rejilla superior de acuerdo con los estándares AHAM DW-1

Rejilla inferior (modelo estándar)



Modelo de carga de 12 lugares en la rejilla de la base de acuerdo con los estándares AHAM DW-1

Rejilla superior modelo internacional)



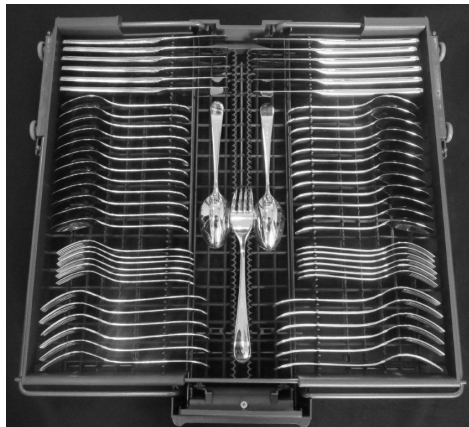
Modelo de carga internacional - rejilla superior (con espacio para 12 lugares)

Rejilla inferior (modelo internacional)



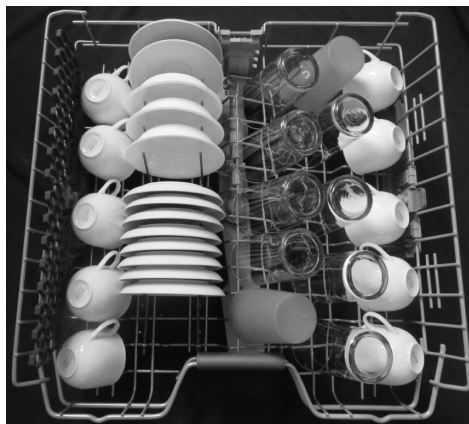
Modelo de carga internacional - rejilla de la base (con espacio para 12 lugares)

Cesta superior para los cubiertos (modelos selectos)



Modelo de carga internacional - Cesta para la cubertería (con espacio para 12 lugares)

Rejilla superior (modelos selectos)



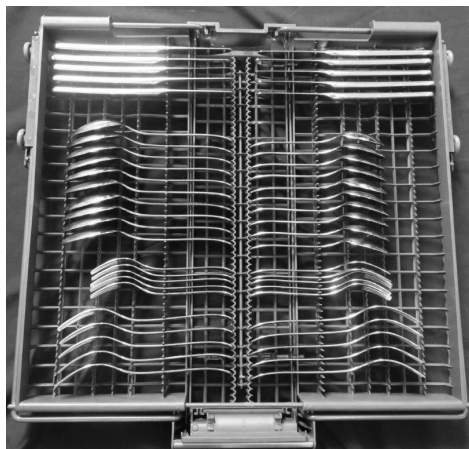
Modelo de carga adicional - rejilla superior (con espacio para 10 lugares)

Rejilla inferior (modelos selectos)





Modelo de carga adicional - rejilla de la base (con espacio para 10 lugares)


Cesta superior para los cubiertos (modelos selectos)




Modelo de carga internacional - Cesta para la cubertería (con espacio para 10 lugares)

 **PRECAUCIÓN:** los cuchillos grandes y otros utensilios con puntas y bordes filosos deben colocarse de manera horizontal en la rejilla superior para evitar un riesgo de lesiones. Otros cuchillos más pequeños y filosos deben ubicarse con el lado filoso hacia abajo en la cesta para la cubertería.

 **Precaución:** Tome extrema precaución cuando quite los cuchillos y otros utensilios filosos del lavavajillas. Estos elementos pueden haber cambiado de posición durante el programa de lavado, y pueden estar húmedos o resbalosos.

 **PRECAUCIÓN:** ¡Puede salir vapor caliente! Peligro de serias quemaduras u otras lesiones

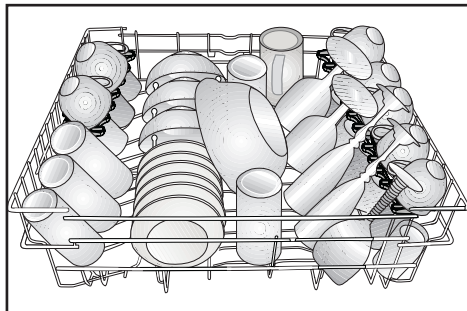
 **AVISO:** La tercera cesta debe quitarse del lavavajillas durante las pruebas, según el AHAM DW-1.

- Cargue los platos en este sentido y tenga cuidado cuando coloca los vasos para que no se golpeen unos con otros durante el ciclo de lavado. Además, asegúrese que ambos brazos de pulverización no estén en contacto con ninguna vajilla.
- No sobrecargue a su lavavajillas y preste atención a las instrucciones del fabricante respecto de los platos que son apropiados para ser usados en el lavavajillas. Solo con platos adecuados (referido en la sección 5), podrá obtener resultados de lavado óptimos, con un uso de energía inteligente.

- Su lavavajillas soporta un espacio máximo de 12 lugares.
- Ubique todos los recipientes como tazas, vasos y ollas en el lavavajillas con la abertura hacia abajo (para que no junten agua).
- Los elementos pequeños y livianos pueden ir en la rejilla superior.
- Los elementos largos y angostos se ubican en el medio de las rejillas.
- Ubique todos los elementos grandes y muy sucios en la rejilla inferior.

4.1 CANASTILLO SUPERIOR

Cargue el canastillo superior con platos de postre, tazas, copas, vasos, etc.

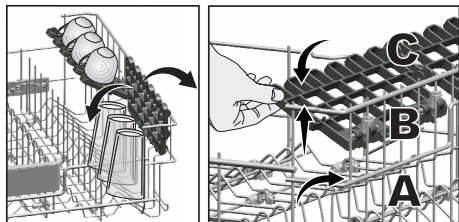


ESTANTES AJUSTABLES

(SEGÚN EL MODELO)

Dependiendo del tamaño de los vasos y tazas, la altura del estante se puede ajustar.

1. Gire el estante hacia arriba **A**.
2. Colóquelo a la altura deseada **B**.
3. Vuelva a girar el estante hacia abajo **C**.

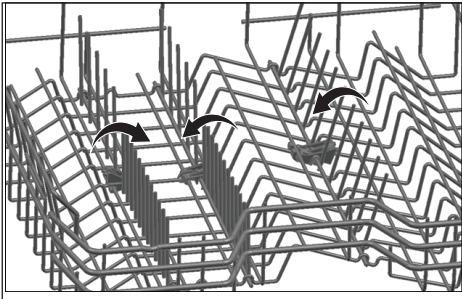


REJILLAS DEL CANASTO SUPERIOR ABATIBLES

(SEGÚN EL MODELO)

Puede usar las rejillas abatibles cuando necesite mayor espacio para su vajilla en el canasto superior de su lavavajillas.

Para poner las rejillas abatibles en posición horizontal, cójalas del medio y empújelas hacia la dirección de las flechas mostradas en la figura. Coloque las vajillas más grandes en la zona creada. Para poner las rejillas en posición vertical, simplemente levántelas.

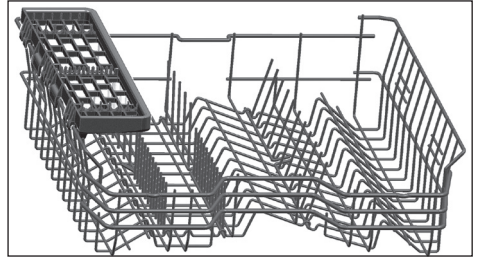


Puede que las rejillas se doblen si las coge de los extremos si las pone en posición horizontal cogiéndolas de los extremos. Por lo tanto, mantenga las rejillas de sus vástagos mientras las lleva a la posición horizontal o vertical.

ESTANTE DE SERVICIO MULTIPROPÓSITO DEL CANASTO SUPERIOR

(SEGÚN EL MODELO)

Este accesorio ubicado en el canasto superior de la máquina le permitirá lavar fácilmente elementos tales como cucharones largos y cuchillos de pan.



Puede levantar la rejilla del canasto superior del estante de servicio multipropósito para sacarlo si no quiere usarlo.



Si desea volver a utilizar la rejilla del canasto del estante de servicio multipropósito, puede engancharlo fácilmente en la sección lateral del canasto superior.



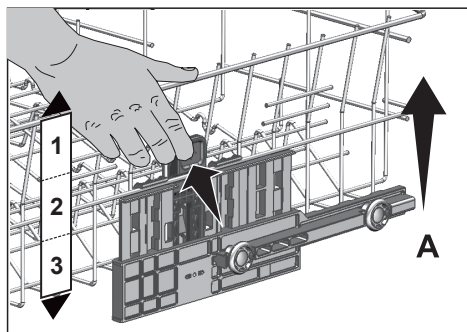
AJUSTAR LA ALTURA DEL CANASTO SUPERIOR CARGADO (SEGÚN EL MODELO)

El mecanismo de ajuste de altura del canasto superior ha sido diseñado para crear grandes espacios en las secciones superiores o inferiores de la máquina dependiendo de sus necesidades mediante el ajuste de la altura en la dirección superior o inferior mientras el canasto está vacío o cargado.

Gracias a este mecanismo, se puede utilizar el canasto en tres posiciones diferentes, es decir, inferior, media y superior (1, 2, 3).

1. Para levantar el canasto, sostenga las rejillas de la cesta superior con ambas manos mientras la cesta esté en la posición más baja y tire de ellas hacia arriba (A).
2. Escuchará un "clic" de los mecanismos derechos e izquierdos, que indican que el canasto ha alcanzado el siguiente nivel. Libere el canasto.

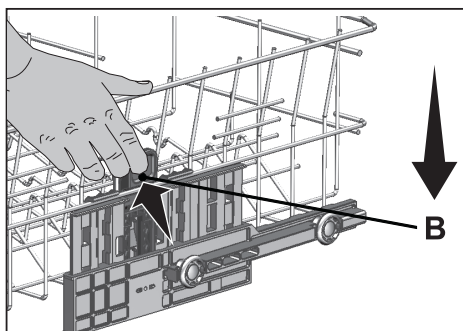
Repita el proceso si la altura no es suficiente.



Para bajar el canasto mientras éste se encuentra en la posición superior;

1. Mantenga las rejillas de la cesta superior con ambas manos, levante ligeramente la cesta y al mismo tiempo pulse y suelte los pestillos que se muestra en la figura (B).
2. Baje el canasto desde su posición actual a la de abajo.
3. Suelte el canasto una vez que haya alcanzado un nivel inferior.

Repita el proceso si la altura no es suficiente.



El mecanismo de movimiento no puede funcionar correctamente si el cesto superior está sobrecargado o si no se equilibra la distribución del peso. En condiciones de mayor carga, existe el riesgo de caer un nivel hacia abajo.



Asegúrese de que el mecanismo de ajuste tiene la misma posición en los lados derecho e izquierdo de la cesta superior.

AJUSTE DE LA ALTURA

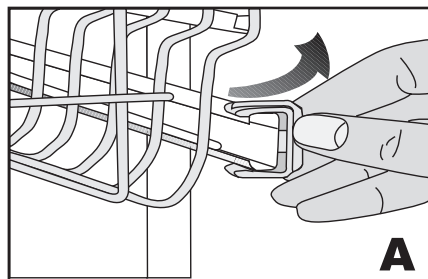
(SEGÚN EL MODELO)

En algunos modelos, la altura del canastillo superior puede cambiarse utilizando las ruedas que se encuentran a dos niveles de altura.

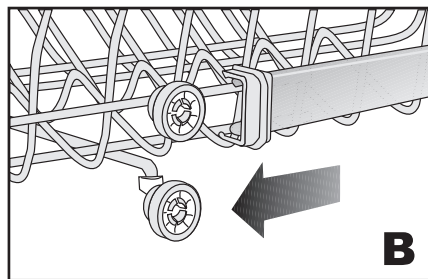


PRECAUCIÓN: Asegúrese de que el canastillo esté vacío. El cambio de la altura cuando el canastillo contiene algún elemento podría provocar el desplazamiento de su contenido, causando lesiones o daños a la vajilla.

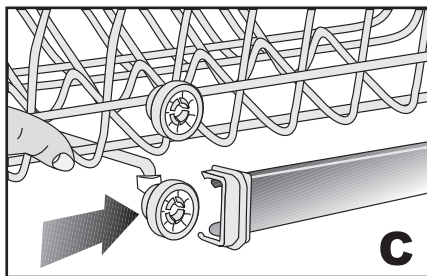
1. Luelte los pestillos a la derecha y a la izquierda del soporte del canastillo superior girándolos hacia fuera **A**.



2. Quite el canastillo por completo **B**.



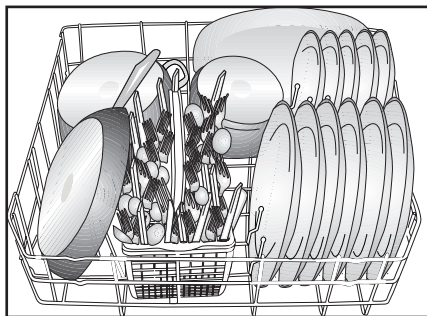
3. Coloque el canastillo nuevamente en el soporte a la altura deseada **C**.



4. vuelva a poner los pestillos en la posición correcta.

4.2 CANASTILLO INFERIOR

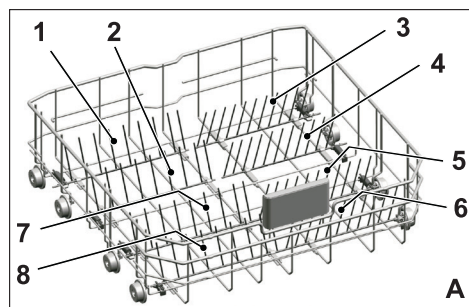
Utilice el canastillo inferior para platos, fuentes, ollas, etc.



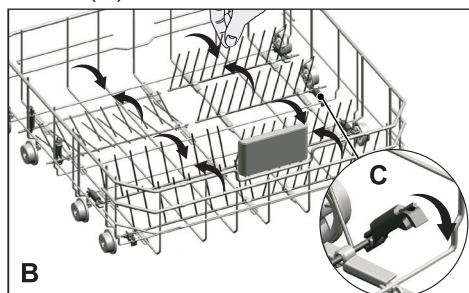
PÚAS DEL CANASTO INFERIOR ABATIBLES

(SEGÚN EL MODELO)

Las púas plegables (A) ubicadas en el canasto inferior de la máquina están diseñadas para poder colocar piezas grandes como cacerolas, boles, etc. Puede crear espacios más grandes doblándolos cada vez individualmente o todos a la vez.



Para poner las púas abatibles en posición horizontal, cójalas del medio y empújelas hacia la dirección de las flechas (B). Para poner las púas en posición vertical, simplemente levántelas. Los canastos de alambre abatibles encajarán en el pestillo de nuevo (C).

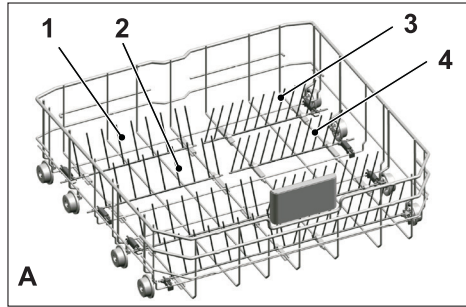


Puede que las púas se doblen si las coge de los extremos. Por lo tanto, será necesario poner las púas del medio en posición vertical y horizontal cogiéndolas del tronco y pulsándolas en la dirección de la flecha.

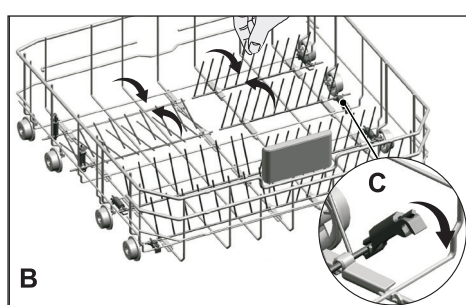
PÚAS DEL CANASTO INFERIOR ABATIBLES

(SEGÚN EL MODELO)

Las púas plegables (A) ubicadas en el canasto inferior de la máquina están diseñadas para poder colocar piezas grandes como cacerolas, boles, etc. Puede crear espacios más grandes doblándolos cada vez individualmente o todos a la vez.



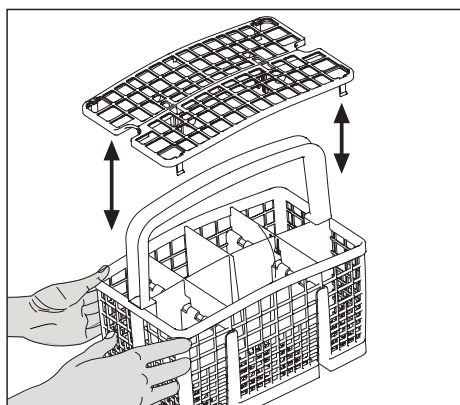
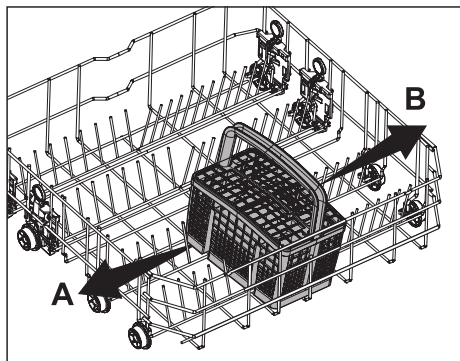
Para poner las púas abatibles en posición horizontal, cójalas del medio y empújelas hacia la dirección de las flechas (B). Para poner las púas en posición vertical, simplemente levántelas. Los canastos de alambre abatibles encajarán en el pestillo de nuevo (C).



Puede que las púas se doblen si las coge de los extremos. Por lo tanto, será necesario poner las púas del medio en posición vertical y horizontal cogiéndolas del tronco y pulsándolas en la dirección de la flecha.

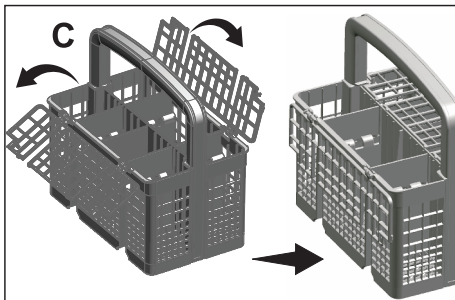
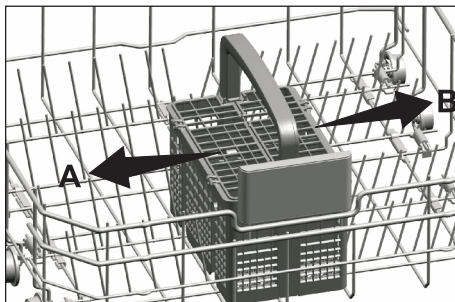
CANASTO DE CUBERTERÍA (SEGÚN EL MODELO)

El canasto de la cubertería está diseñado para lavar elementos tales como cuchillos, tenedores, cucharas, etc. de una manera más limpia. Dado que el canasto de la cubertería puede moverse (A, B), puede crear más espacio mientras coloque las vajillas en el canasto inferior, dejando espacio libre para las vajillas de diferentes tamaños.



CESTO DE LA CUBERTERÍA (SEGÚN EL MODELO)

El cesto de la cubertería está diseñado para lavar cubiertos tales como cuchillos, tenedores, cucharas, etc. de una manera más limpia. Dado que el cesto de la cubertería puede moverse (A, B), puede crear un espacio más amplio cuando coloque la vajilla en el canasto inferior y dejar espacio libre para los platos de diferentes tamaños.

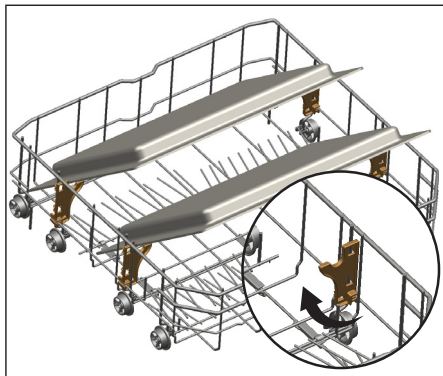


AVISO: Cuando termine, pruébelo para asegurarse de que el brazo pulverizador todavía puede moverse libremente.

SOPORTES DEL LAVADO DE BANDEJAS

(SEGÚN EL MODELO)

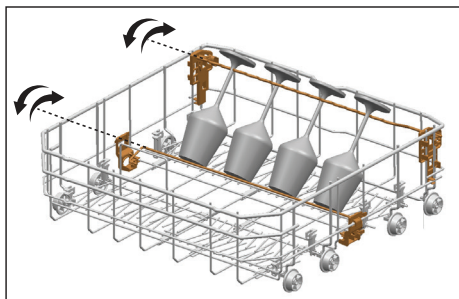
Use los soportes para lavar las bandejas en la cesta inferior. Vea el apartado de funciones auxiliares para una selección de programa y función adecuadas.



SOPORTE PARA VASOS INFERIOR

(SEGÚN EL MODELO)

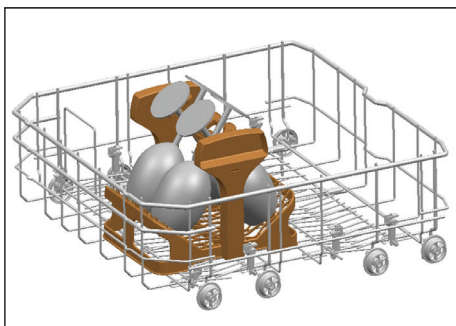
El soporte para vasos inferior ubicado en el canasto inferior del lavavajillas permite un lavado seguro para sus vasos altos y/o de gran tamaño.



ACCESORIO SOFTTOUCH

(SEGÚN EL MODELO)

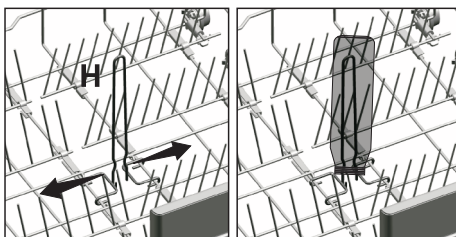
El Accesorio SoftTouch ubicado en la cesta inferior de la máquina permite un lavado seguro de los vasos frágiles.



REJILLA PARA BOTELLAS DEL CANASTO INFERIOR

(SEGÚN EL MODELO)

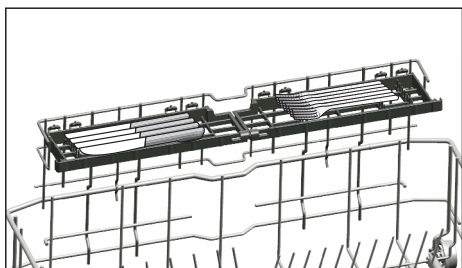
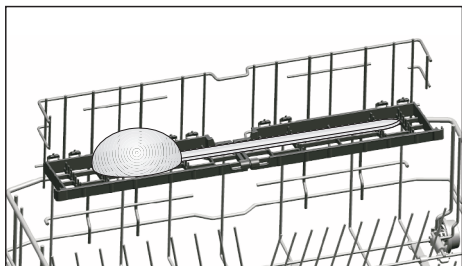
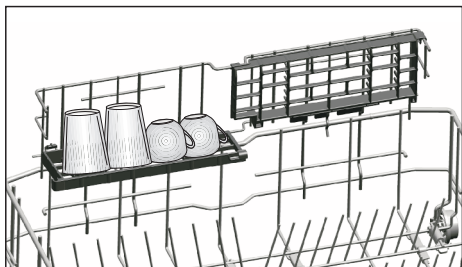
La rejilla de botella está diseñada para lavar piezas largas con bocas anchas. Puede retirar la rejilla para botellas del canasto cuando no lo use extrayéndolo de ambos lados (H).



REJILLA DE SERVICIO MULTIUSOS DEL CANASTO INFERIOR / DE AJUSTE DE LA ALTURA

(SEGÚN EL MODELO)

Este accesorio ubicado en el canasto inferior de la máquina le permitirá lavar fácilmente elementos tales como vasos adicionales, cucharones largos o cuchillos de pan.



Podrá usar las rejillas como sea necesario moviéndolas hacia arriba o hacia abajo o ciérrelos para crear un espacio más grande en el canasto inferior.

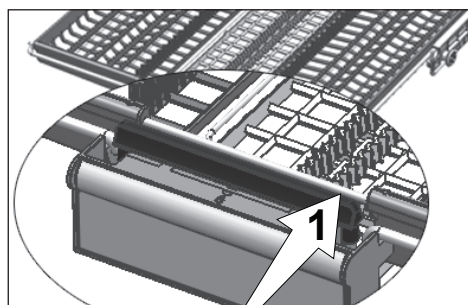
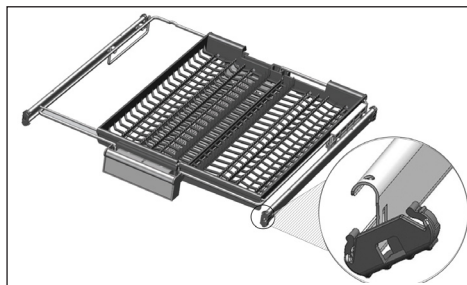
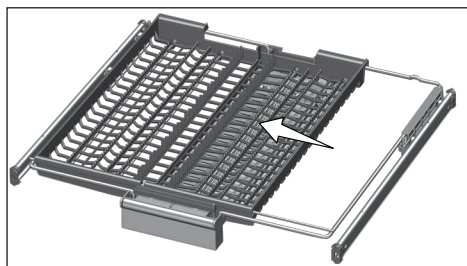
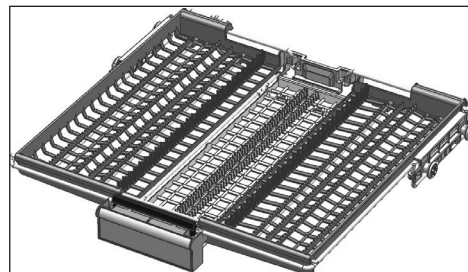


Asegúrese de que el impulsor no toque la vajilla que haya colocado en las rejillas.

CANASTO DE CUBERTERÍA SUPERIOR

(SEGÚN EL MODELO)

El canasto de cubertería superior está diseñado para lavar sus artículos de cubertería como tenedores, cucharas etc., colocándolos entre las barras de la cesta.



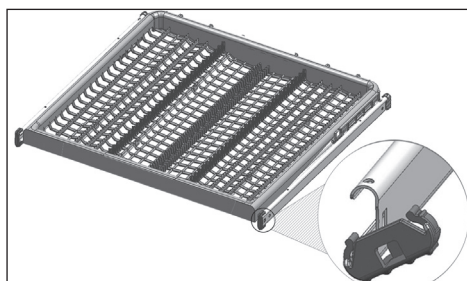
Cuando la bandeja central está en la posición más baja, puede cargar los objetos largos/altos como tazas de café, cucharas, etc. en la bandeja. Cuando las bandejas laterales se apoyan sobre dos paredes laterales, se puede tirar del asa para permitir que la bandeja central suba y el sistema pueda bloquearse.

En modelos con la característica de movimiento parcial, presionando la barra (1) en el asa permite que la bandeja central de la canasta acceda a la posición inferior y el sistema se debloquee. Así se pueden utilizar las bandejas laterales derechas e izquierdas como partes móviles. El espacio libre habilitado por las bandejas laterales permite la carga de piezas largas en la cesta superior.

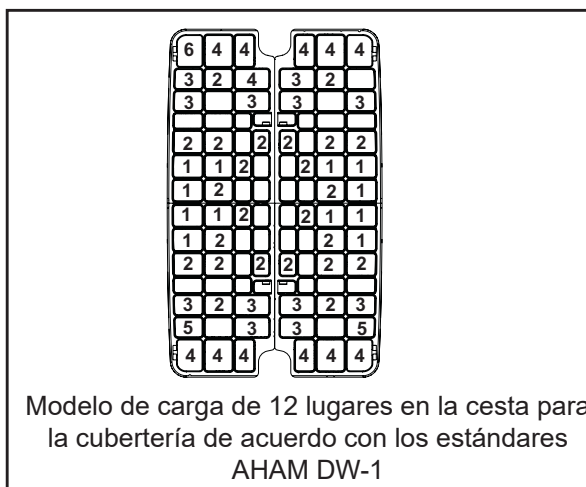
CANASTO DE CUBERTERÍA SUPERIOR

(SEGÚN EL MODELO)

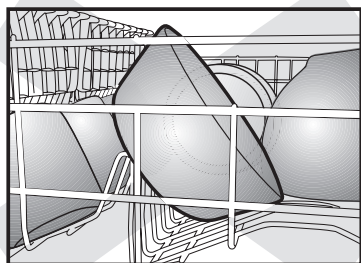
El canasto de cubertería superior está diseñado para lavar sus artículos de cubertería como tenedores, cucharas etc., colocándolos entre las barras de la cesta.



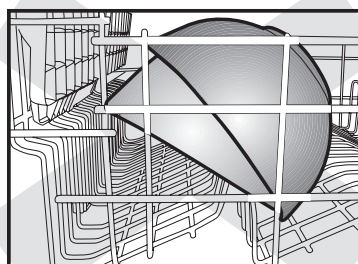
4.3 FORMAS DE CARGA CORRECTAS E INCORRECTAS EN EL LAVAVAJILLAS



- Ubique todos los recipientes como tazas, vasos y ollas en el lavavajillas con la abertura hacia abajo (para que no junten agua).
- El movimiento de los brazos pulverizadores no debe ser obstaculizado.
- No sobrecargue su lavavajillas
- Solo con platos adecuados (mencionados en la sección 5), podrá obtener resultados de lavado óptimos con un uso de energía inteligente.



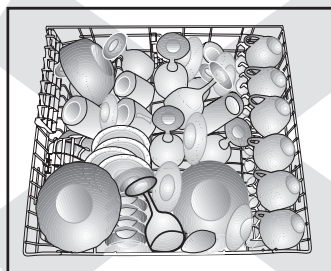
incorrecto



incorrecto



incorrecto



incorrecto

5. COSAS QUE NO DEBEN LAVARSE EN EL LAVAVAJILLAS

- Piezas de acero sensibles al roce como hierro y hierro fundido que pueden rozar y manchar otros utensilios y dañar el acero inoxidable exterior del lavavajillas, lo cual está fuera de garantía. No lave cobre, latón, peltre, bronce o estaño.
- Los cubiertos con mangos de madera o chapa y los cubiertos con mangos de nácar o porcelana se deteriorarán con el tiempo si los pone en el lavavajillas.
- Los plásticos pueden perder su forma y color con el agua caliente, siga las instrucciones de los fabricantes de plástico. Asegúrese de que los elementos de plásticos tengan la marca “apto para lavavajillas”.
- Los platos o cubiertos con pegamento no son aptos para el lavado a máquina debido a que algunos adhesivos pueden ablandarse o disolverse con el agua caliente.
- El aluminio puede salirse con el tiempo. Los minerales en el agua y el detergente pueden romper o manchar el aluminio.
- Los elementos de plata pura no se deben lavar en el lavavajillas porque tienden a perder el color y se opacan con el detergente del lavavajillas.
- La vajilla de plata y acero inoxidable no debe estar en contacto entre sí. Si se mezclan estos artículos, pueden aparecer manchas. Quite y seque manualmente estos elementos inmediatamente cuando termine el programa.

- Los vasos decorados, porcelana, vajilla china fina y vajilla china con ribetes de oro son sensibles al lavado a máquina. Pueden perder sus diseños y colores con el tiempo.
- La vajilla fina y de cristal se puede opacar perdiendo su brillo con el tiempo. Puede preferir lavarlas a mano.
- No lave esponjas ni repasadores en el lavavajillas.
- No lave adornos en el lavavajillas.
- Los plásticos y el aluminio desechables no soportan altas temperaturas, no los lave en el lavavajillas.



PRECAUCIÓN: Si tiene dudas, realice el lavado a mano o siga las instrucciones del fabricante de los utensilios, platos, vasos u ollas y cacerolas. No lave elementos manchados con ceniza de cigarrillo, vela, barniz, pintura o productos químicos debido a que pueden dañar el lavavajillas.



AVISO: Recomendamos que cuando compre una nueva vajilla, intente seleccionar aquellas que sean aptas para lavado a máquina (marcadas como “apto para lavavajillas”).

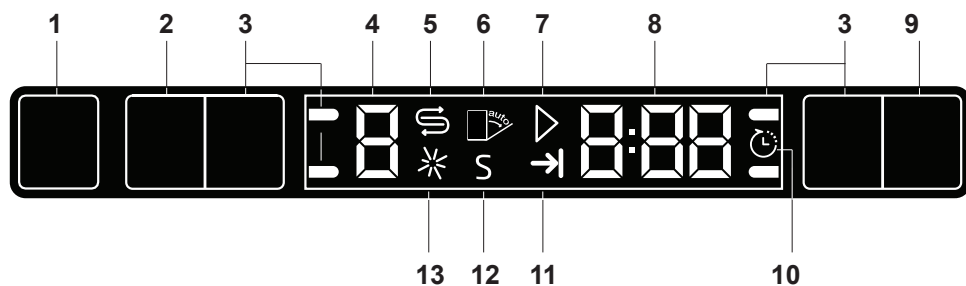
PRENDRE SOIN DE VOTRE VAISSELLE

La combinación de altas temperaturas y detergente de lavavajillas puede ocasionar daños en algunos elementos si se lavan en el lavavajillas. Si tiene dudas respecto a determinados elementos a lavar en el lavavajillas, siga las instrucciones del fabricante, o lávelos a mano.

6. UTILIZACIÓN DEL APARATO



AVISO: Si no realiza ninguna operación tras encender la máquina, ésta se apagará automáticamente después de 5 segundos.



1. Tecla de encendido/apagado
2. Tecla de selección de programa / cancelación de programa (3 segundos)
3. Teclas de función
 - F1 Función de carga media
 - F2 Función Extra Rinse
 - F3 Función Limpieza rápida
4. Indicador de programa
5. Indicador de sal (SEGÚN EL MODELO)
6. (No está en uso)
7. Indicador de Inicio / Cancelación
8. Tecla de Retraso Temporal / Indicador del tiempo del programa
9. Tecla de Retraso Temporal
10. Indicador de Retraso Temporal
11. Indicador de Finalización de Programa
12. (No está en uso)
13. Indicador de abrillantador

6.1 TECLAS

Tecla de encendido/apagado

Cuando pulse la tecla de Encendido / Apagado, las luces del indicador se iluminarán en el visor para indicar la posición de ENCENDIDO. Las luces se apagan en la posición de APAGADO.

Tecla de selección / cancelación de programa

Pulse esta tecla hasta que el programa deseado aparezca en el indicador de programa.

Abra la puerta del lavaplatos para cancelar el programa en curso.

Pulse y mantenga pulsadas durante 3 segundos las teclas de selección / cancelación de programa. Después de la cuenta atrás 3 - 2 - 1, se mostrará 0:01. Cierre la puerta del aparato y espere hasta que finalice el programa de vaciado de agua. El vaciado de agua finalizará en 2 minutos y la máquina emitirá un aviso audible cuando se haya completado.

Teclas de función

Si pulsa cualquiera de las teclas de función durante la selección de programa o la selección de retraso temporal, se escuchará una señal de tecla afirmativa puesto que la función relevante es compatible con el programa seleccionado. Se considerará la selección de esta función cuando el indicador de la función seleccionada esté encendido. Para cancelar la función seleccionada, mantenga pulsada la tecla de función hasta que el indicador de función desaparezca.

6.2 PREPARACIÓN DEL LAVAVAJILLAS

1. Abra la puerta del lavaplatos.
2. Coloque los platos según las instrucciones en el manual de usuario.
3. Asegúrese de que los impulsores inferiores y superiores giren libremente.
4. Ponga una cantidad adecuada de detergente en el dispensador de detergente.

6.3 SELECCIÓN DE PROGRAMA

1. Pulse el botón de encendido/apagado para encender el lavaplatos.
2. Revise si los indicadores de sal y el abrillantador se iluminan y añada sal y/o abrillantador si es necesario.
3. Consulte la tabla «Datos de programa y valores medios de consumo» para escoger un programa de lavado adecuado para sus platos.
4. El programa seleccionado se iniciará cuando cierre la puerta del aparato.

TABLA DE PROGRAMAS

Número de programa	0	1	2	3	4	5
Nombre del programa	ProCare	Pots & Pans+ (Ollas, cacerolas y otros)	Regular Wash * (Lavado normal)	Quick & Dry	Quick Wash (Lavado rápido)	Rinse & Hold (Enjuagar y espera)
Lavado Temperaturas	72 (°C) 160 (°F)	70 162 72	50-55 122-131 61-67	47 116,6 71	45 113 55	0 0 0
Enjuague Temperaturas	140 (°F)	158	142-157	160	131	0
Grado de suciedad	-	Alto	Medio	Bajo - Medio	Bajo	-
Detergente en el dispensador	-	-	-	-	+	-
15 ml	+	+	+	+	-	-
15-25 ml	+	+	+	+	-	-
+ 5 ml	+	+	+	+	-	-
Agua dura	40 ml	40	25-40	25-40	15-25	-
Agua media	8 CT	8	5-8	5-8	3-5	-
Agua recomendada	-	40	25	25	15	-
Agua blanda	-	8	5	5	3	-
Lavado principal	-	25-40	15-25	15-25	15	-
Lavado principal	-	5-8	3-5	3-5	3	-
Secado	-	+	+	-	-	+
Sanitize?	-	+	+	+	+	-
Duración (minutos)	75	122	100-135	58	35	15
Agua (litros)	15,2	20,2	8,8-21,2	10,4	11,6	4,2
Agua (galones)	3,80	5,34	2,32-5,60	2,70	3,10	1,10

Los valores de consumo indicados en la tabla fueron determinados en condiciones normales. Por esta razón, es posible que se produzcan variaciones en la práctica. * La etiqueta de uso de energía está basada en este programa.

6.4 FUNCIONES AUXILIARES

Los programas de lavado de su lavadora están diseñados para obtener el mejor efecto de limpieza, teniendo en cuenta el tipo de suciedad, el grado de suciedad y las características de los platos que tengan que lavarse.

Las funciones auxiliares le permiten ahorrar tiempo, agua y potencia.



Las funciones auxiliares pueden causar cambios en la duración del programa.



Las funciones auxiliares no son aptas para todos los programas de lavado. El indicador de la función auxiliar que no sea compatible con el programa no estará activo.

Función Limpieza rápida

Reduce el tiempo del ciclo de lavado seleccionado y disminuye el consumo de agua habilitando el lavado bajo una presión superior.

Función de carga media

Se emplea para utilizar el aparato sin cargarlo totalmente.

1. Ponga la vajilla en la máquina de la manera que desee. Puede utilizar ambas rejillas superior e inferior.
2. Encienda el aparato con la tecla de Encendido/Apagado.
3. Seleccione el programa deseado y pulse la tecla de carga media. El indicador de carga media se iluminará en el visor del indicador seleccionado de la función.
4. Cierre la puerta del lavavajillas para iniciar el programa.

Función Extra Rinse

Según el tipo de detergente usado, si hay un problema en cuanto a la disolución del detergente, eliminará las manchas resultantes de la vajilla y permitirá un aclarado óptimo.

Función de detección automática de detergente

El lavavajillas tiene una función para detectar automáticamente el tipo de detergente y ajustar el programa de lavado y el sistema de secado para un mejor resultado. Si se usa un detergente especial en tableta, la duración del programa puede alargarse 20 minutos para optimizar el lavado y el secado.



AVISO: Debe desactivar la función de detección automática de detergente durante las pruebas según AHAM DW-1.

Para desactivar:

1. Después de encender el lavavajillas, pulse las teclas de Retraso Temporal y P+ simultáneamente. Siga pulsándolas hasta que la cuenta atrás 3, 2, 1 se complete en el visor.
2. Pulse la tecla P+ para activar la opción a:. La función de detección automática de detergente se desactiva en la opción "a:0" y se activa en la opción "a:1". Configure la opción deseada pulsando la tecla de Retraso Temporal.
3. Apague el lavavajillas con la tecla de Encendido/Apagado para guardar los cambios.

Iluminación interior

(según el modelo)

Algunos modelos tienen iluminación interior para iluminar el interior cuando la puerta está abierta.

Cambiar la configuración de la iluminación interior

1. Después de encender el lavavajillas, pulse las teclas de Retraso Temporal y P+ simultáneamente. Siga pulsándolas hasta que la cuenta atrás 3, 2, 1 se complete en el visor.
2. Pulse la tecla P+ para activar la opción L:. En la posición «L:0», la iluminación interior se apagará, y se encenderá en la posición «L:1». Configure la opción deseada con la tecla de Retraso Temporal.
3. Apague el lavavajillas con la tecla Encendido/Apagado para guardar los cambios.

Iluminación del suelo

Advertencia para mostrar que el aparato está en fase de lavado

(según el modelo)

El aparato refleja una luz en el suelo durante el proceso de lavado. Esta luz se apaga después de que el proceso de lavado se haya completado.



El usuario no puede cancelar la iluminación del suelo.

Cambiar el volumen del sonido de advertencia

1. Después de encender el aparato, pulse simultáneamente las teclas de Retraso Temporal y P/P+. Siga pulsándolas hasta que la cuenta atrás 3, 2, 1 se complete en el visor.
2. Pulse la tecla P / P+ para activar la posición S:.
3. Cada pulsación en la Tecla de Retraso Temporal modificará el volumen del sonido de la advertencia de la siguiente manera: "S:0" apagado, "S:1" medio" y "S:2" alto.
4. Apague el lavavajillas con la tecla Encendido/Apagado para guardar los cambios.



Los ajustes de fábrica de la máquina se encuentran en el "S:2".

6.5 PROGRAMAR LA HORA DE LAVADO

Retraso Temporal

Si en su región se aplica una tarifa eléctrica barata, puede usar la función de Retraso Temporal para lavar sus platos en horas apropiadas.

Puede retrasar el inicio del programa seleccionado hasta 24 horas.

1. Pulse la tecla de la función de Retraso Temporal después de seleccionar el programa de lavado y otras funciones auxiliares.
2. Una vez haya pulsado la tecla de Retraso Temporal, la Línea de Información en el Visor mostrará «0:30» y el indicador de Retraso Temporal empezará a parpadear.

3. Configure el tiempo deseado pulsando la tecla de Retraso Temporal. El tiempo se incrementará con intervalos de 30 minutos hasta 6 horas y, después de esto, en intervalos de 1 hora hasta 24 horas cada vez que pulse la tecla.
4. Cierre la puerta del aparato después de configurar el inicio retrasado. Una vez que el retraso de tiempo haya finalizado, el programa seleccionado se iniciará automáticamente.

Cambiar los ajustes mientras la función de Retraso Temporal está activada

Mientras la función de Retraso Temporal esté activada, no podrá realizar cambios en el programa de lavado, las funciones auxiliares o la duración del retraso temporal.



El programa y las funciones auxiliares no pueden configurarse/cambiarse después de que el programa se haya iniciado.

Para cancelar la función de Retraso Temporal

Abra la puerta del aparato. Pulse y mantenga pulsadas las teclas de Selección / Cancelación de Programa durante 3 segundos. Después de la cuenta atrás 3 - 2 - 1, se mostrará 0:01. Cierre la puerta del aparato y espere hasta que finalice el programa de vaciado de agua. El vaciado de agua finalizará en 2 minutos y la máquina emitirá un aviso audible cuando se haya completado.



Puede seleccionar e iniciar un programa nuevo después de cancelar la función de Retraso Temporal.



La función Retraso Temporal no puede configurarse después del inicio del programa.

6.6 INICIAR EL PROGRAMA

Cierre la puerta del aparato para iniciarlo después de seleccionar el programa y las funciones auxiliares.



SEGÚN EL MODELO:
Su lavavajillas lleva a cabo el ablandamiento de aguas según el nivel de dureza del agua corriente. El tiempo de lavado puede cambiar mientras el programa esté en funcionamiento según la temperatura ambiente donde se encuentre el aparato, la temperatura del agua suministrada y la cantidad de platos.



Preste atención en no abrir la puerta del lavavajillas cuando éste esté en marcha. Puede salir much vapor cuando abra la puerta del aparato; tenga cuidado.



La máquina se apagará en el caso de que no pulse ningún botón durante 5 segundos tras abrir la puerta mientras la máquina esté en funcionamiento.



Tras abrir la puerta, si pulsa algún botón en el transcurso de 5 segundos y cierra la puerta, el programa seleccionado se reanudará, si no, la máquina se apagará.
Abra la puerta después de que la máquina se apague, pulse el botón On/Off y cierre la puerta dentro de 5 segundos. El programa se reanudará.



El lavavajillas permanecerá en silencio en el modo de pausa durante un tiempo para eliminar completamente el agua en el aparato y en los platos y para limpiar el ablandador de agua, y después se reanudará funcionando en el modo de secado.

6.7 CANCELAR EL PROGRAMA

Abra la puerta del aparato. Pulse y mantenga pulsadas las teclas Selección / Cancelación de Programa durante 3 segundos. Después de la cuenta atrás 3 - 2 - 1, se mostrará 0:01. Cierre la puerta del aparato y espere hasta que finalice el programa de vaciado de agua. El vaciado de agua finalizará en 2 minutos y la máquina emitirá un aviso audible cuando se haya completado.



Puede haber restos de detergente o abrillantador en el lavavajillas y/o en las piezas que se laven según la fase en que estuviera el programa cuando fue cancelado.

6.8 INDICADOR DE SAL (S)

(SEGÚN EL MODELO)

Compruebe por favor el indicador de sal en el visor para ver si hay una cantidad adecuada de sal suavizante en el lavavajillas o no. Debe rellenar la reserva de sal con sal cuando quiera que el indicador de advertencia de sal aparezca en el visor del lavavajillas.



El ajuste del nivel de la dureza del agua se explica en la sección del Sistema de Ablandamiento de Agua.

6.9 INDICADOR DE ABRILLANTADOR (✱)

Compruebe por favor el indicador de abrillantador en el visor para ver si hay una cantidad adecuada de abrillantador en el lavavajillas o no. Debe rellenar la reserva de abrillantador con abrillantador cuando quiera que el indicador de advertencia de abrillantador aparezca en el visor del lavavajillas.

Ajuste de la cantidad de abrillantador

1. Después de encender la máquina, pulse las teclas de Retraso Temporal y P+ simultáneamente. Después de que aparezca la cuenta atrás (3, 2, 1), mantenga pulsadas las teclas durante un rato.
2. Pulse P+ para moverse a la posición (P) en la pantalla.
3. Configure el nivel adecuado con la tecla de retraso temporal.
4. Pulse la tecla de encendido / apagado para guardar los ajustes.

Ningún abrillantador dispensado en la posición de lavado P:0.

1 dosis de abrillantador dispensada en la posición P:1.

2 dosis de abrillantador dispensadas en la posición P:2.

3 dosis de abrillantador dispensadas en la posición P:3.

4 dosis de abrillantador dispensadas en la posición P:4.

6.10 FINALIZACIÓN DEL PROGRAMA



Cuando finalice el programa que haya seleccionado, una advertencia audible le avisará para que apague el aparato. Este señal audible le avisará con ciertos intervalos antes de apagarse.

El indicador de Finalización del Programa se iluminará una vez que el programa de lavado haya terminado.

1. Abra la puerta de la máquina.
2. Pulse el botón de Encendido/ Apagado para apagar el aparato.
3. Cierre el grifo.
4. Desenchufe el lavavajillas del enchufe.



Para el ahorro de energía, el lavavajillas se apaga automáticamente después de que el programa se haya completado o si el programa no se ha iniciado.



Deje los platos en el lavavajillas durante unos 15 minutos para dejar que se enfríen después del lavado. Sus platos se secarán en un tiempo menor si deja la puerta de su lavavajillas entreabierta durante este tiempo. Este proceso aumentará la efectividad del secado del lavavajillas.

6.11 ADVERTENCIA SOBRE EL CORTE DE AGUA

Si el agua corriente está cortada o el agua no puede entrar en el grifo de entrada de agua y el icono E:02 parpadeará en el indicador del programa. Mientras dure el problema, el programa de lavado estará pausado y la máquina comprueba regularmente la entrada de agua; cuando el agua se restablezca, el icono E:02 desaparecerá después de un rato y el programa se reanudará.

6.12 ADVERTENCIA SOBRE EL DESBORDAMIENTO DE AGUA

Si el lavavajillas usa demasiado agua o hay pérdidas en cualquiera de los componentes, entonces el lavavajillas lo detectará y el icono E:01 parpadeará en el indicador del programa. Mientras siga el desbordamiento, el algoritmo de seguridad estará activo e intentará descargar el agua. Si el desbordamiento se detiene y la seguridad está asegurada, el icono E:01 desaparecerá. Si E:01 no

aparece, hay un fallo permanente. En este caso, debería contactar con el servicio técnico autorizado.

ProCare

Se recomienda utilizar este programa cada 1-2 meses para la limpieza del lavavajillas y la higiene necesaria. El programa debería utilizarse mientras el lavavajillas esté vacío.

Para conseguir un resultado eficiente, se recomienda usarlo juntamente con detergentes especiales para lavavajillas.



No use este programa para limpiar los platos. Dado que funciona a temperaturas altas, es dañino para los platos.

7. DETERGENTE

Puede utilizar detergentes en polvo, gel o líquido o una tableta en la máquina.



Use únicamente detergentes fabricados principalmente para su uso en lavavajillas. Le recomendamos no usar detergentes que contengan cloro y fosfato, pues son perjudiciales para el medio ambiente.

7.1 AÑADIR DETERGENTE



Preste atención a las advertencias en el empaquetado del detergente para obtener unos mejores resultados de lavado y secado. Para más preguntas, póngase en contacto con el fabricante del detergente.



No ponga disolventes en el dosificador de detergente. ¡Existe riesgo de explosión!

Ponga el detergente en el dosificador de detergente justo antes de utilizar la máquina tal como se muestra a continuación.

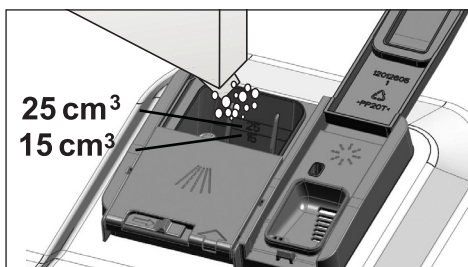
1. Empuje el pestillo hacia la derecha para abrir la tapa del dosificador de detergente (A).



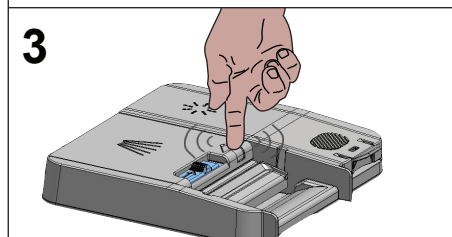
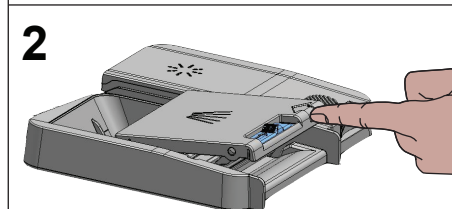
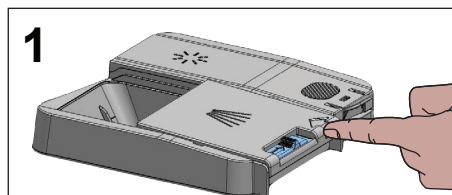
2. Ponga en el dosificador la cantidad de detergente en polvo, líquido, gel o tableta recomendada.



Dentro del dosificador de detergente hay marcas que señalan el nivel para ayudarlo a usar la cantidad adecuada de detergente en polvo. Cuando esté lleno hasta el borde, el dosificador contendrá 1.5 onzas (45 cm³) de detergente. Cargue el dosificador con detergente hasta cubrir 5 onzas (15 cm³) u 85 onzas (25 cm³) de las marcas de nivel, según qué tan llena esté la máquina o el grado de suciedad de la vajilla. Si utiliza pastillas de detergente, una pastilla es una medida suficiente.



- Empuje la tapa del depósito del detergente para cerrarla. Oirá un clic cuando la tapa se cierre.



Use detergente en polvo o en gel o líquido en programas cortos sin prelavado, ya que la solubilidad del detergente en tableta depende de la temperatura y el tiempo.

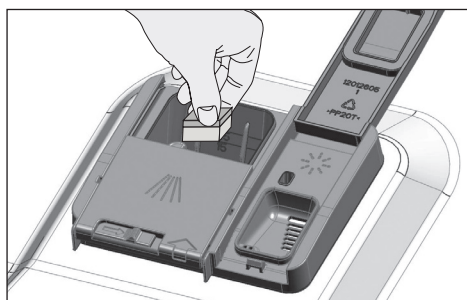
7.2 INDICADOR DE DETERGENTE DE TABLETA

Además de los detergentes en pastilla convencionales, existen pastillas de detergente disponibles comercialmente con efecto descalcificador y/o de abrillantamiento. Algunos tipos de estos detergentes contienen componentes especiales para el lavado tales como protectores para cristal y acero inoxidable. Estas tabletas muestran sus efectos hasta

un cierto nivel de dureza del agua (59 gpg). La sal descalcificadora del agua y el abrillantador deben también utilizarse conjuntamente, si el nivel de dureza del agua está por encima del nivel mencionado.



El mejor lavado con lavavajillas se obtiene con el uso individual de detergente, abrillantador o sal ablandadora de agua.



Siga las instrucciones del fabricante del detergente indicadas en el envase cuando use detergentes en tableta.



Contacte con el fabricante del detergente si la vajilla está mojada y/o si observa manchas de sal especialmente en los vasos cuando use detergente en polvo después de que el programa de lavado haya finalizado.

Quando cambie de detergente en polvo a detergente en tableta:

- Asegúrese de que los compartimentos de sal y abrillantador estén llenos.
- Ajuste la dureza del agua al nivel más alto y lleve a cabo un lavado con la máquina vacía.

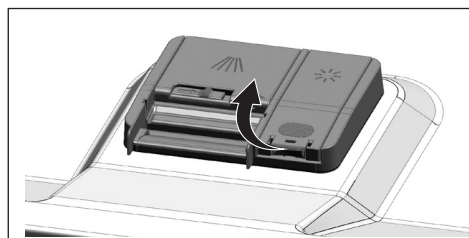
- Después del lavado con la máquina vacía, consulte el manual de usuario y vuelva a ajustar la dureza del agua para acomodarla al suministro de agua.
- Lleve a cabo los ajustes de abrillantador pertinentes.

7.3 ABRILLANTADOR

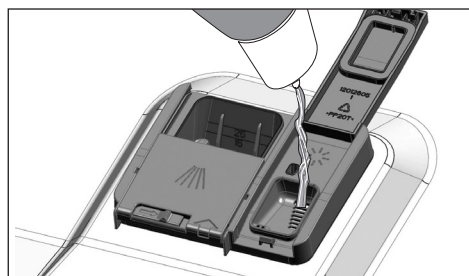


El abrillantador usado en los lavavajillas es una combinación especial con el objetivo de aumentar la eficiencia del secado y evitar manchas de agua o cal en los elementos lavados. Por esta razón, debe asegurarse de que haya abrillantador en el compartimento y usar abrillantadores únicamente producidos especialmente para lavavajillas.

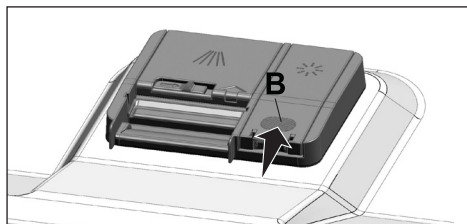
- Abra la tapa del dosificador del abrillantador con la ayuda de la lengüeta.



- Llene el compartimento hasta el nivel "MÁX".



- Presione ligeramente el punto (B) de la tapa para cerrarla.



- Si hay manchas en piezas de la vajilla después del lavado, debe aumentar el nivel. Si hay un rastro azul después del secado a mano, debe disminuirlo. Esto viene predeterminado en la posición 3.



El ajuste del abrillantador se describe en "Ajuste de la cantidad de abrillantador" en la sección de funcionamiento de la máquina.



Limpie cualquier resto de abrillantador vertido fuera del depósito. El abrillantador que se haya vertido accidentalmente causará la formación de espuma y reducirá el rendimiento del lavado progresivamente.

10. CUIDADO Y MANTENIMIENTO



ADVERTENCIA: Antes de limpiar o realizar el mantenimiento, desconecte la máquina, desconecte la alimentación a la cañería y cierre la llave de agua. No repare ni reemplace ninguna pieza del lavavajillas ni intente realizar ningún mantenimiento a menos que este manual lo recomiende expresamente. El lavavajillas sólo debe ser reparado por un agente de servicio autorizado.



PRECAUCIÓN: Para evitar la posibilidad de resbalar, mantenga limpio y seco el piso alrededor del lavavajillas. Mantenga la máquina sin materiales combustibles, como pelusas, trapos y productos químicos. Si el lavavajillas no se utiliza durante un período de tiempo prolongado, recomendamos verificar que los canastillos estén vacíos, dejar limpio el interior del lavavajillas, dejar la puerta abierta para permitir que el aire circule, desenchufarlo y desconectar el suministro de agua.

10.1 CUIDADO DE EXTERIOR DEL LAVAVAJILLAS



PRECAUCIÓN: Posibles daños del lavavajillas: Los limpiadores abrasivos, esponjas o paños abrasivos (toallas de papel) pueden dañar la puerta del lavavajillas.

Limpieza del panel de control: Utilice solamente paños suaves levemente humedecidos con detergente suave. Limpie el panel de control con un paño húmedo y agua limpia.

Limpieza de las puertas de color: Utilice solamente paños suaves levemente humedecidos con detergente suave.

Limpieza de las puertas de acero inoxidable: Utilice un paño suave con un limpiador apto para acero inoxidable. Para obtener mejores resultados, aplique el limpiador apto para acero inoxidable en el paño y limpie la superficie.

Limpieza de la junta de la puerta: Limpie frecuentemente la junta de la puerta con un paño húmedo para quitar partículas de comida y otros desechos. Utilice un limpiador de hogar suave para la parte externa y los cierres de la puerta, y enjuague cuidadosamente.

10.2 CUIDADO DEL LAVAVAJILLAS



AVISO: La limpieza frecuente del lavavajillas a intervalos regulares asegura una vida útil mayor del producto y reduce el riesgo de problemas recurrentes. Desconecte siempre la máquina antes de limpiarla.

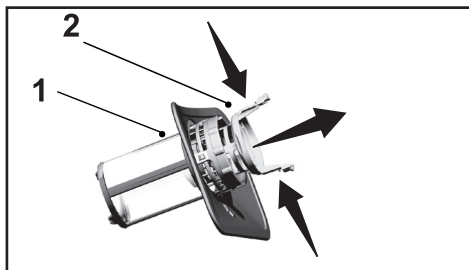


PRECAUCIÓN: Cuando limpie la parte inferior del filtro principal, debe tener cuidado con el borde filoso externo para evitar cortes.

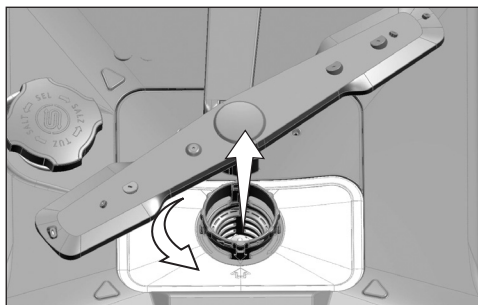
10.3 LIMPIEZA DE LOS FILTROS

Limpe los filtros al menos una vez a la semana para que la máquina funcione adecuadamente. Compruebe si hay restos de comida en los filtros. Si hay restos de comida en los filtros, quítelos y lave los filtros bien bajo un chorro de agua corriente.

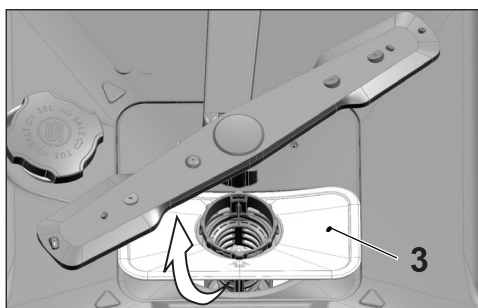
1. Gire el montaje del microfiltro (1) y del filtro grueso (2) en el sentido contrario de las agujas del reloj y retírelo de su lugar.



4. Limpie los tres filtros bajo agua corriente con un cepillo.
5. Recambie el filtro de metal / plástico.
6. Coloque el filtro grueso en el microfiltro. Asegúrese de que esté bien colocado. Gire el filtro grueso en el sentido de las agujas del reloj hasta escuchar un «clic».



2. Retire el filtro de metal / plástico (3) de su lugar.



3. Pulse los dos trinquetes del filtro grueso hacia adentro y separe el filtro grueso del montaje.



No use el lavavajillas sin filtro.



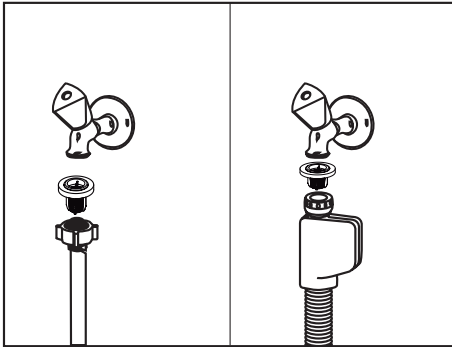
Colocar los filtros incorrectamente reducirá la eficiencia del lavado.

10.4 LIMPIEZA DE LOS FILTROS

El filtro adjunto a la manguera de entrada de agua puede evitar daños en la máquina que causados por impurezas provenientes del agua corriente urbana o su propia instalación de agua. Revise el filtro y la manguera habitualmente y límpielos si es necesario.

1. Apague el grifo y retire la manguera.
2. Después de retirar el filtro, límpielo debajo de un chorro de agua corriente.
3. Coloque el filtro limpiado de nuevo en su sitio en la manguera.
4. Coloque la manguera en el grifo.

(SEGÚN EL MODELO)

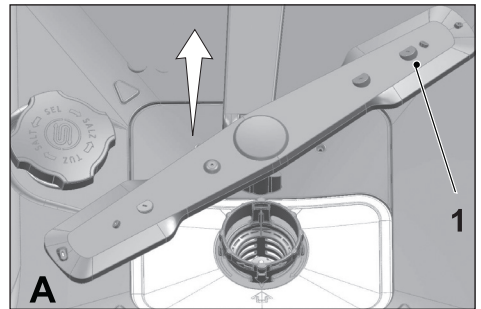


10.5 LIMPIEZA DE LOS BRAZOS DE PULVERIZACIÓN

Limpie los brazos de pulverización al menos una vez a la semana para que la máquina funcione adecuadamente.

BRAZOS DE PULVERIZACIÓN INFERIORES

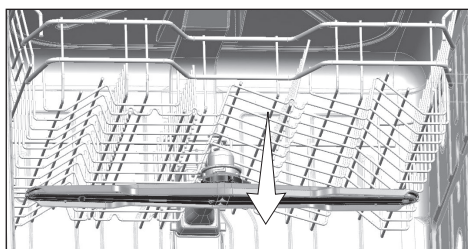
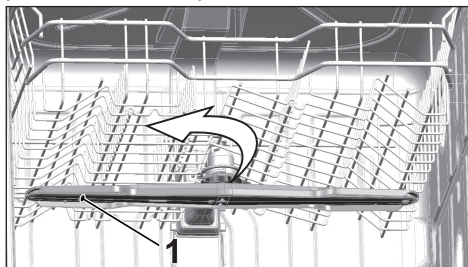
Compruebe si los orificios de los brazos de pulverización inferior (1) están obstruidos. Si están obstruidos, retire y limpie el impulsor. Tire de los brazos de pulverización inferior hacia arriba para retirarlo.



BRAZOS DE PULVERIZACIÓN SUPERIORES

Compruebe si los orificios del impulsor superior (1) están obstruidos. Si están obstruidos, retire y limpie los brazos de pulverización. Gire la tuerca hacia la izquierda para retirar los brazos de pulverización superior.

Asegúrese de que la tuerca esté bien apretada cuando coloque el brazo de pulverización superior.



11 SOLUCIÓN DE PROBLEMAS

La máquina no arranca.

- El cable de alimentación está enchufado. >>> Compruebe que el cable de alimentación esté enchufado.
- El disyuntor está fundido >>> Revise el disyuntor en su casa.
- El agua está cortada. >>> Asegúrese de que el grifo de entrada de agua esté abierto.
- La puerta de la máquina está abierta. >>> Asegúrese de haber cerrado la puerta de la máquina.
- El botón de apagado / encendido no está pulsado. >>> Asegúrese de haber encendido la máquina pulsando el botón de apagado / encendido.

Los platos no quedan limpios con el lavado

- Los platos no están colocados ordenadamente en la máquina. >>> Coloque los platos tal como se indica en el manual de instrucciones.
- El programa seleccionado no es adecuado. >>> Seleccione un programa con una temperatura un y ciclo de tiempo más alto.
- Los brazos pulverizadores están atascados. >>> Antes de iniciar el programa, haga girar los brazos pulverizadores inferior y superior con la mano para asegurarse de que giren libremente.
- Los orificios de los brazos pulverizadores están tapados. >>> Los orificios de los brazos pulverizadores inferior y superior podrían estar tapados con pequeñas partículas de alimentos y restos. Limpie los brazos pulverizadores regularmente como se muestra en la sección «Limpieza y cuidados».
- Los filtros están obstruidos. >>> Compruebe que el sistema de filtros esté limpio. Limpie el sistema de filtros habitualmente tal como se ilustra en la sección «Limpieza y cuidados».
- Los filtros están colocados de manera incorrecta. >>> Verifique el sistema de filtros y asegúrese de que esté correctamente instalado.
- Los cestos están sobrecargados. >>> No sobrecargue los cestos excediendo su capacidad.
- El detergente está guardado en condiciones no aptas. >>> Si está usando detergente el polvo, no guarde el paquete del detergente en lugares húmedos. Manténgalo en un recipiente cerrado si es posible. Para un almacenaje fácil, le recomendamos usar detergente en tabletas.
- El detergente no es suficiente. >>> Si está usando detergente en polvo, ajuste la cantidad de detergente según el nivel de suciedad de los platos o las definiciones del programa. Le recomendamos usar detergente en tabletas para obtener resultados óptimos.
- El abrillantador no es suficiente. >>> Revise el indicador de abrillantador y añada abrillantador si es necesario. Aumente el ajuste del abrillantador si hay suficiente cantidad de abrillantador en la máquina.
- La tapa del dosificador de detergente ha quedado abierta. >>> Asegúrese de que el dosificador de detergente esté bien cerrado después de añadir detergente.

Los platos no están secos al final del ciclo

- Los platos no están colocados de manera ordenada en la máquina. >>> Coloque los platos de manera que no se acumule agua en ellos.
- El abrillantador no es suficiente. >>> Revise el indicador de abrillantador y añada abrillantador si es necesario. Aumente el ajuste del abrillantador si hay suficiente cantidad de abrillantador en la máquina.
- Se ha descargado el lavavajillas justo después de finalizar el programa. >>> No descargue la máquina justo después de finalizar el lavado. Abra ligeramente la puerta y espere un rato a que desaparezca el vapor del interior. Retire los platos una vez éstos se hayan enfriado lo suficiente como para poder tocarlos. Empiece a retirar los platos del canasto inferior. Así evitará que el agua que haya permanecido en un plato del canasto superior caiga en uno de los platos del canasto inferior.
- El programa seleccionado no es adecuado.. >>> Dado que la temperatura de aclarado es baja en un programa de corta duración, el rendimiento de secado también será bajo. Seleccione programas de mayor duración para un secado de alto rendimiento.
- La calidad de la superficie de los utensilios de cocina está deteriorada. >>> No puede obtenerse el lavado deseado con utensilios de cocina que tienen la superficie deteriorada. Asimismo, dichos utensilios no son aptos en lo que a higiene se refiere. De la misma manera, el agua no puede circular fácilmente en superficies deterioradas. No se recomienda lavar dichos utensilios de cocina en el lavavajillas.



Es normal que haya quejas sobre el secado con utensilios de cocina de Teflón. Están relacionadas con la estructura de teflón. Dado que las tensiones de superficie del Teflón y del agua son diferentes, las gotas de agua permanecerán como microesferas en la superficie de Teflón.

Las manchas permanecen en los platos una vez completo el ciclo

- El programa seleccionado no es adecuado. >>> Seleccione un programa con una temperatura un y ciclo de tiempo más alto.
- La calidad de la superficie de los utensilios de cocina está deteriorada. >>> Puede que las manchas de té y café u otras manchas de color no se limpien en el lavavajillas cuando hayan penetrado en superficies deterioradas. No puede obtenerse el lavado deseado con utensilios de cocina con la superficie deteriorada. Asimismo, dichos utensilios no son aptos en lo que a higiene se refiere. No se recomienda lavar dichos utensilios de cocina en el lavavajillas.
- El detergente está guardado en condiciones no aptas. >>> Si está usando detergente el polvo, no guarde el paquete del detergente en lugares húmedos. Manténgalo en un recipiente cerrado si es posible. Para un almacenaje fácil, le recomendamos usar detergente en tabletas.

Quedan restos de cal en los platos y los vasos lucen empañados.

- El abrillantador no es suficiente. >>> Revise el indicador de abrillantador y añada abrillantador si es necesario. Aumente el ajuste del abrillantador si hay suficiente cantidad de abrillantador en la máquina.

- La dureza del agua es baja o el nivel de sal es insuficiente >>> Mida la dureza del agua corriente aproximadamente y compruebe los ajustes de la dureza del agua.
- Hay escape de sal. >>>Procure no verter sal alrededor del orificio de llenado de sal mientras añada sal. Asegúrese de que la tapa de la reserva de sal esté bien cerrada después de haber finalizado el llenado. Ponga el programa de prelavado para retirar la sal que se ha derramado dentro de la máquina. Dado que los gránulos de sal que permanezcan debajo de la tapa se disolverán durante el prelavado, haciendo que la tapa se suelte, revise de nuevo la tapa al finalizar el programa.

Se percibe un olor diferente en la máquina.



Un lavavajillas nuevo tiene un olor peculiar. Desaparecerá en un par de lavados.

- Los filtros están obstruidos. >>> Compruebe que el sistema de filtros esté limpio. Limpie el sistema de filtros habitualmente tal como se ilustra en la sección «Limpieza y cuidados».
- Los platos sucios han permanecido en el lavavajilla durante 2-3 días. >>> Si no va a encender el lavavajillas justo después de haber colocado los platos en él, retire los restos de los platos y ponga en programa de prelavado sin detergente durante 2 días. En tales casos, no cierre la puerta del lavavajillas totalmente para evitar que el olor se acumule en la máquina. También puede usar eliminadores de olor comerciales o limpiadores de máquinas.

Hay óxido de decoloración o la superficie de los platos está deteriorada.

- Hay fugas de sal. >>> La sal puede deteriorar y oxidar superficies metálicas. Esté atento para no verter sal alrededor del orificio de llenado de sal mientras añada sal. Asegúrese de que la tapa de la reserva de sal esté bien cerrada después de haber finalizado el llenado. Ponga el programa de prelavado para retirar la sal que se ha derramado dentro de la máquina. Dado que los gránulos de sal que permanezcan debajo de la tapa se disolverán durante el prelavado y harán que la tapa se suelte, revise de nuevo la tapa al finalizar el programa.
- Los restos de alimentos salados han permanecido en los platos durante mucho tiempo. >>> Si van a dejarse dentro del lavavajillas utensilios de plata sucios con tales alimentos, la suciedad debe retirarse con el prelavado o deben lavarse sin espera.
- La instalación eléctrica no tiene conexión a tierra. >>>Compruebe que la máquina esté conectada a la línea de conexión a tierra. De lo contrario, la electricidad estática creada en la máquina causará arcos en las superficies de elementos metálicos, creará poros, eliminará la cobertura protectora de la superficie y causará decoloración.
- Se usan productos de limpieza intensivos tales como blanqueadores. >>> La cobertura de protección de las superficies metálicas se daña y pierde eficiencia en el momento que entra en contacto con productos de limpieza tales como lejía. No lave los platos con lejía.

- Los elementos metálicos, en particular, se usan para fines distintos a sus usos previstos, como por ejemplo los cuchillos. >>> La cubierta protectora en los bordes de los cuchillos pueden dañarse cuando se usen para fines tales como abrir latas. No use utensilios de cocina metálicos fuera de sus usos previstos.
- Los cubiertos están hechos de acero inoxidable de baja calidad. >>> Es inevitable que dichos elementos de corroan; no deberían lavarse en lavavajillas.
- Los utensilios de cocina que ya están corroídos se lavan en el lavavajillas. >>> El óxido en un elemento corroído puede trasladarse a otras superficies de acero inoxidable y causar corrosión también en ellas. Esos elementos no deben lavarse en lavavajillas.

El detergente queda en el dosificador

- El dosificador de detergente estaba húmedo cuando se añadió detergente.>>> Asegúrese de que secar bien el dosificador de detergente antes de llenarlo con detergente.
- Se añade detergente mucho antes del programa de lavado. >>>Procure añadir detergente poco antes de iniciarse el lavado.
- Se impide la apertura de la tapa del dosificador de detergente durante el lavado. >>> Coloque los platos de manera que no impidan la apertura de la tapa del dosificador y la entrada de agua desde los impulsores.
- El detergente está guardado en condiciones no aptas. >>> Si está usando detergente el polvo, no guarde el paquete del detergente en lugares húmedos. Manténgalo en un recipiente cerrado si es posible. Para un almacenaje fácil, le recomendamos usar detergente en tabletas.
- Los orificios de los brazos pulverizadores están obstruidos. >>> Puede que los orificios de los brazos pulverizadores inferior y superior obstruidos con restos de comida tales como semillas de limón. Limpie los brazos pulverizadores regularmente como se muestra en la sección «Limpieza y cuidados».

La decoración y ornamentación en los utensilios de cocinaseborran.



Los vasos decorados y porcelanas brillantes decoradas no son aptas para el lavado en el lavavajillas. Los fabricantes de cristalería y elementos de vajilla de porcelana tampoco recomiendan lavar dichos utensilios de cocina en el lavavajillas.

Los platos están rayados.



Los utensilios de cocina que contienen o están hechos de aluminio no deben lavarse en el lavavajillas.

- Hay escape de sal. >>>Procure no verter sal alrededor del orificio de llenado de sal mientras la añada. La sal derramada puede causar rasguños. Asegúrese de que la tapa de la reserva de sal esté bien cerrada después de haber finalizado el llenado. Ponga el programa de prelavado para retirar la sal que se ha derramado dentro de la máquina. Dado que los gránulos de sal que permanezcan debajo de la tapa se disolverán durante el prelavado y harán que la tapa se suelte, revise de nuevo la tapa al finalizar el programa.

- La dureza del agua es baja o el nivel de sal es insuficiente >>> Mida la dureza del agua corriente aproximadamente y compruebe los ajustes de la dureza del agua.
- Los platos no están colocados de manera ordenada en el lavavajillas. >>> Cuando coloque los vasos y otra cristalería en el canasto, recuéstelos no en otros platos sino en los bordes o estantes del canasto o el alambre de soporte de cristal. Golpear los vasos los unos con los otros o con otros platos a causa del impacto del agua durante el lavado puede ocasionar roturas o rasguñas en sus superficies.

Una mancha queda en los vasos y parece una mancha de leche que no se puede quitar cuando se enjuagaa mano. Se ve unaspectode arco iris azulado cuando el vaso se apunta hacia la luz.

- Se usa demasiado abrillantador. >>> Baje la configuración del abrillantador. Limpie el abrillantador vertido mientras lo vertía.
- Hay corrosión en el cristal debido a agua blanda. >>> Mida la dureza del agua corriente aproximadamente y compruebe los ajustes de la dureza del agua. No use sal si el agua corriente es blanda (<15 gpg) (5.2 gr/gal) (estándar en los EE.UU para la dureza del agua). Escoja programas que lavan en altas temperaturas (140 a 149 grados Fahrenheit, 60 a 63 grados Celsius). También puede usar detergentes comerciales de protección para cristales.

Se forma espuma en lamáquina.

- Los platos se lavan con detergente de lavado a mano pero no se aclaran antes de colocarlos en el lavavajillas. >>> Los detergentes de lavado a mano no contienen antiespumante. No hay necesidad de lavar los platos a mano antes de colocarlos en el lavavajillas. Retire la suciedad gruesa de los platos bajo un chorro de agua corriente con una toalla de papel o una esponja
- El abrillantador se ha vertido en la máquina mientras lo estaba añadiendo. >>> Procure que el abrillantador no se vierta en la máquina cuando lo esté llenando. Limpie cualquier resto de abrillantador vertido con la ayuda de un pañuelo de papel/toalla.
- La tapa de la reserva del abrillantador se ha dejado abierta. >>> Asegúrese de cerrar la tapa de la reserva del abrillantador después de añadir abrillantador.

Los utensilios de cocinaestánrotos.

- Los platos no están colocados ordenadamente en la máquina. >>> Coloque los platos tal como se indica en el manual de instrucciones.
- Los cestos están sobrecargados. >>> No sobrecargue los cestos excediendo su capacidad.

El agua permanece en el lavavajillas cuando finaliza el programa.

- Los filtros están obstruidos. >>> Compruebe que el sistema de filtros esté limpio. Limpie el sistema de filtros habitualmente tal como se ilustra en la sección «Limpieza y cuidados».
- La manguera de descarga está obstruida/bloqueada.>>> Revise la manguera de descarga. Si es necesario, retire la manguera de descarga, limpie el bloque e introdúzcala tal como se muestra en el manual de instrucciones.



Si no puede solucionar el problema a pesar de seguir las instrucciones de este apartado, consulte con su distribuidor o el agente de servicio autorizado. Nunca intente reparar usted mismo un aparato que no funcione.

12. CARACTERÍSTICAS TÉCNICAS

Capacidad de carga	14 espacios
Presión de agua admisible	4.35 - 145 psi (0.3-10 bares)
Conexión eléctrica	120V(voltios), 12A(amperios), 60Hz(hertz)
Potencia total	1400 W (vatios)
Potencia calentamiento	1100 W (vatios)



AVISO: Debido a nuestro permanente esfuerzo por mejorar los productos, las especificaciones y el diseño pueden modificarse sin previo aviso. Esta máquina corresponde a la siguiente directiva:
Directiva UL749, sobre lavavajillas Domésticos.