

24" FRIDGE COLUMN

BUILT-IN FRIDGE COLUMN

CODE ID

F7IRC2401-R (RIGHT HINGE)

CODE ID

F7IRC2401-L (LEFT HINGE)



RIGHT HINGE



LEFT HINGE



Total No Frost



LED lighting



Integrated Installation



Holiday Mode



Sabbath Mode



Features

Our overlay column refrigerators are as beautiful as they are functional. Custom panels can be installed to provide a completely integrated look with adjacent cabinets and feature a brilliant white aluminum interior with brushed aluminum and stainless accents. Food preservation is the name of the game, by combining elegant design and commercial quality to ensure the highest performance preserving the organoleptic qualities of your precious ingredients. A dedicated compressor and evaporator provide consistent and precise temperatures throughout.

SPECIFICATIONS

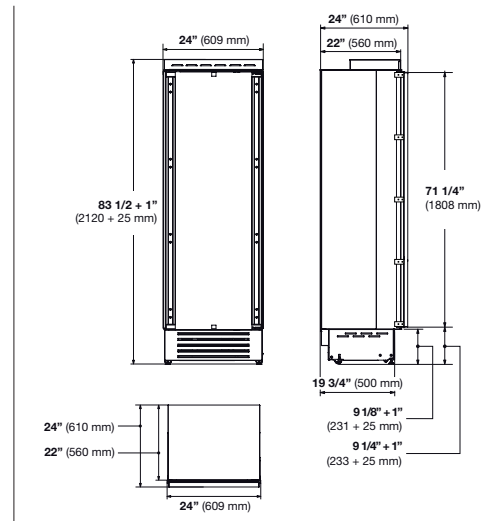
Panel Ready Exterior
Microbeaded stainless steel crisper drawers with soft closing
Height adjustable glass shelves
Luminous white interior
Multilevel LED lighting

OPTIONAL ACCESSORIES

REFHANDPROCOL
Sofia Professional Handle Kit
REFHANDISCOL
Distinto Handle Kit

REFRIGERATION

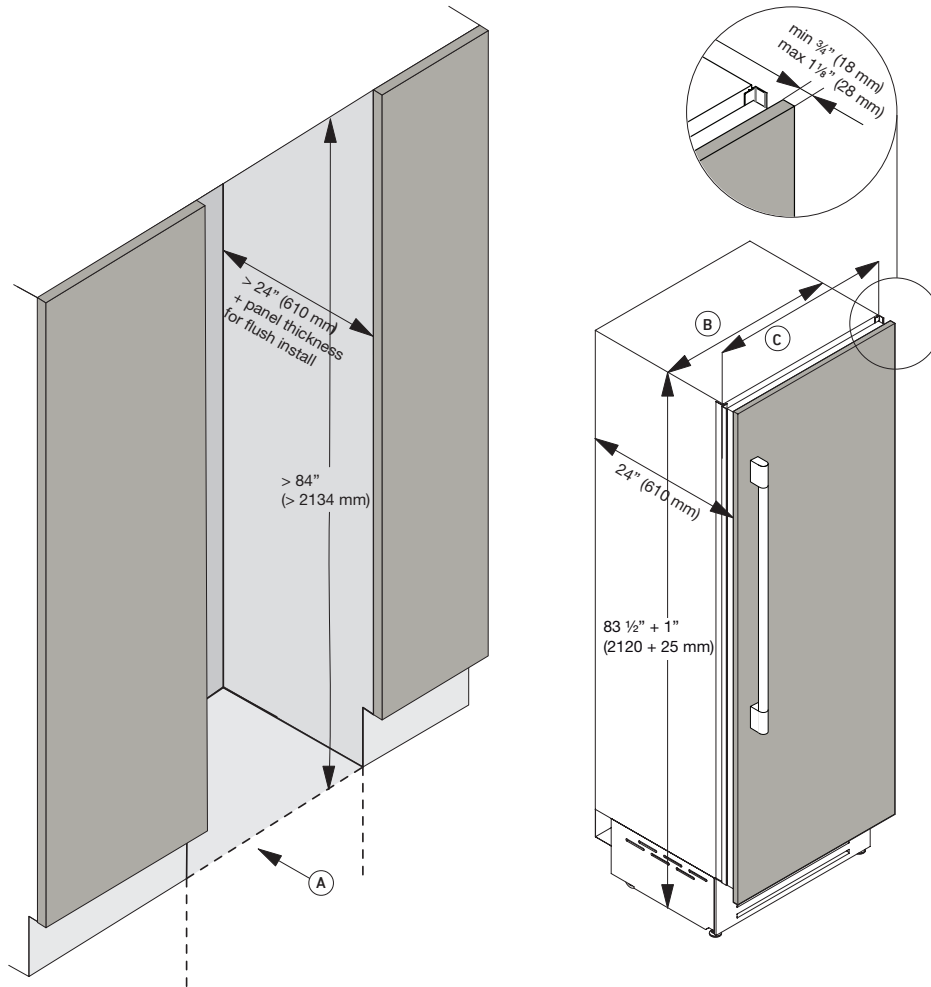
BUILT-IN FRIDGE COLUMN



| CODE ID | | 24" OVERLAY BUILT-IN FRIDGE F7IRC24O1-L (LEFT HINGE) F7IRC24O1-R (RIGHT HINGE) | |
|---|----------------------------|--|----|
| Finish | Panel Ready Exterior | | |
| PERFORMANCES/CAPACITY | | | |
| Annual Energy Usage | 296 kWh/yr | | |
| Interior capacity (cbft) | 13.03 | | |
| FEATURES | | | |
| Shelves | 3 | | |
| Adjustable Door Bins | 3 | | |
| Crisper Drawers | 3 | | |
| LED lighting | • | | |
| No Frost | • | | |
| DIMENSIONS/WEIGHT | | | |
| Width in | 24" | 809 mm | |
| Height in | 83 - 1/2" | 2120 mm | |
| Depth without handle in | 24" | 610 mm | |
| Minimum niche height in | 84 - 1/2" | 2145 mm | |
| Door clearance in | 46 - 3/4" | 1187 mm | |
| Door opening angle | 100° | | |
| Net Weight | 311 lbs | 141 | kg |
| POWER / RATINGS (115 V, 60 HZ) | | | |
| Watts / Amps | 163W - 1.5A | | |
| Power Cable | Nema 5-15P | | |
| INSTRUCTIONS FOR USE | | | |
| Use & Care Manual / Installation Manual | English / French / Spanish | | |

BUILT-IN FREEZER 24"

NICHE SPECIFICATIONS AND DIMENSIONS



TECHNICAL DATA

| | |
|------------------------------------|------------------|
| (A) Niche Width | 24" (610 mm) |
| (B) Unit Width | 23" 1/8 (587 mm) |
| (C) Unit Width with lateral frames | 24" (609 mm) |

ELECTRICAL AND WATER CONNECTIONS

