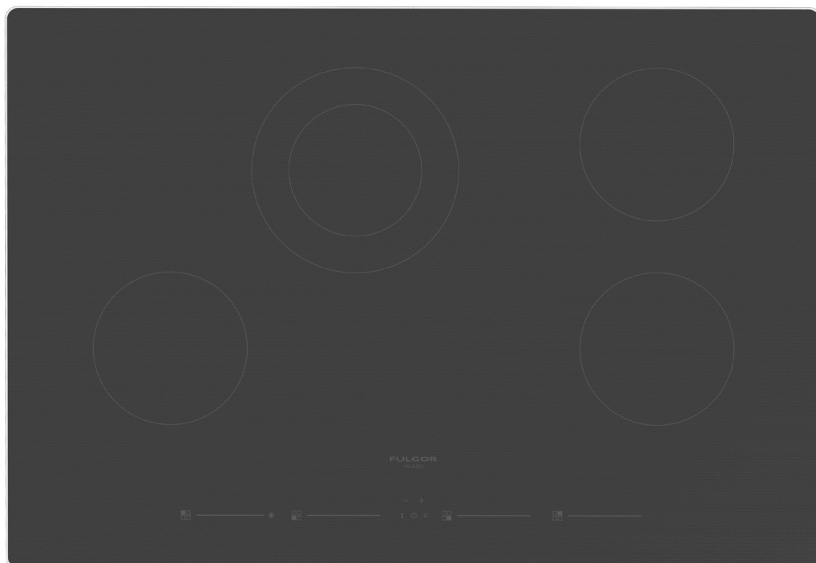


30" VETROCERAMIC COOKTOP

700 SERIES

CODE ID

F7RT30S1



Easy Clean Ceramic Glass



Slide Touch Control



Residual Heat Sensor



Digital Minute Minder

VETROCERAMIC COOKTOP

4 Vetroceramic cooking zones
Slide touch control for power setting
Elegant Ceramic glass surface
Melt Function
Residual heat and Power on Indicators
Digital Minute Minder

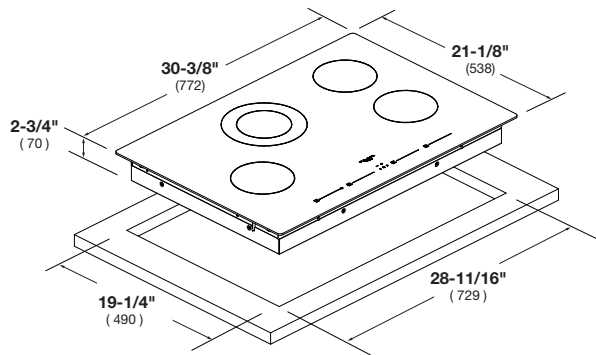
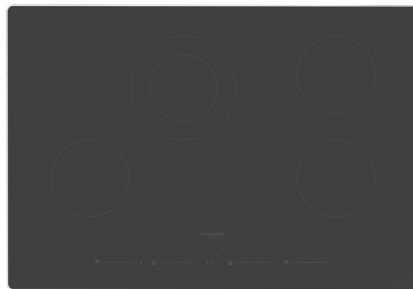
Child Lock Function
Independent timer for each zone
Pause function
Failure Codes Indication
Digital Display for Power Level
Automatic Heat-up Time



This product meets ADA (Americans with Disabilities Act) requirements. Please check with your local municipality's codes and stipulations for additional details to ensure compliance.

30" VETROCERAMIC COOKTOP

700 SERIES



| 30" BUILT-IN VETROCERAMIC COOKTOP F7RT30S1 | |
|---|--|
| CODE ID | |
| Size | 30" |
| Colour | Black |
| Heating Technology | Radiant Heaters |
| Glass Type | Glass Ceramic + Aluminum Frame |
| Control type | Touch TC FLEX |
| CONTROL FEATURES | |
| Slide touch control for power setting | • |
| Power levels | 1 to 9 |
| Digital display for power level indication (7 segments) | • |
| Led bar for power level indication | • |
| Melting Function (Led Indicator) | • |
| Residual heat indication for each zone (HOT) | • |
| Minute minder functions for each zone + one general (Led Indicator) | 1+4 |
| Key Lock (Led Indicator) | • |
| Pause/recall (Led Indicator) | • |
| General ON/OFF Key (Led Indicator) | • |
| Dedicated ON/OFF Key for each zone | • |
| Acoustic buzzer | • |
| SINGLE ZONE 1 | Front Right Zone |
| Size | 5" 3/4 (145mm) |
| Power | 1200W |
| SINGLE ZONE 2 | Front Left Zone |
| Size | 5" 3/4 (145mm) |
| Power | 1200W |
| SINGLE ZONE 3 | Rear Left Zone |
| Size | 7-5/8" / 4-7/8" (195/125mm) |
| Power L9 | 1900W (1100+800W) |
| SINGLE ZONE 4 | Rear Right Zone |
| Size | 5" 3/4 (145mm) |
| Power L9 | 1200W |
| DIMENSIONS/WEIGHT - (IN OR LBS) | |
| Overall dim - width | 30 3/8" (771mm) |
| Overall dim - depth | 21" 1/8 (538mm) |
| Overall dim - height (without Conduit) | 3" (75mm) |
| Cutout - width (min - max) | min. 28-11/16" (729 mm) - max 28 15/16" (735 mm) |
| Box - height | 2 3/4" (70mm)+ conduit 1" 1/8 (30mm) |
| Cutout - depth (min - max) | min. 19-1/4" (490 mm) - max 19 9/16" (497 mm) |
| Approx ship weight | 33lb (15Kg) |
| POWER / RATINGS (208/240 V, 60 HZ) | |
| KW/Amps rating at 240V, 60Hz | 5.50kW - 22.9 Amps |
| KW/Amps rating at 208V, 60Hz | 4.10kW - 19.7Amps |
| Cable + Conduit | • |
| INSTRUCTIONS FOR USE | |
| Use & Care Manual | EN, SP, FR |
| Installation Manual | EN, SP, FR |