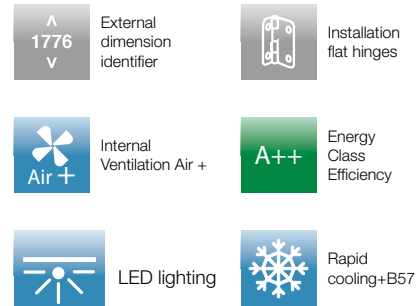
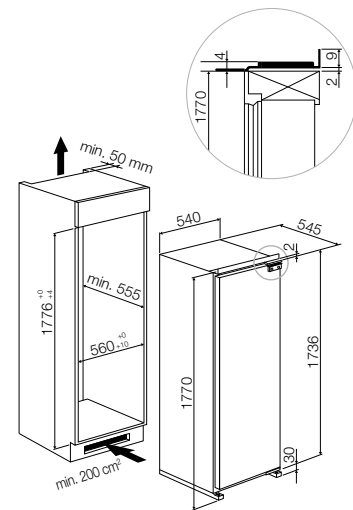


FBRD 360 FED



SINGLE DOOR REFRIGERATOR

- Flat hinges
- Energy Class A++
- Total capacity 320 litres
- Electronic control
- Forced cold air fan (AIR+)
- Anti-bacterial inner coating
- 5 tempered safety-glass shelves, one of which can be divided
- Metal bottle rack
- Drawers and door shelves with metal inserts
- 2 drawers for fruits and vegetables with humidity adjustment
- Automatic defrosting
- Reversible door (standard installation on right)
- Climate class: SN,ST,N



Flat hinges
FBRD 360 FED
Code EAN 8019801015610