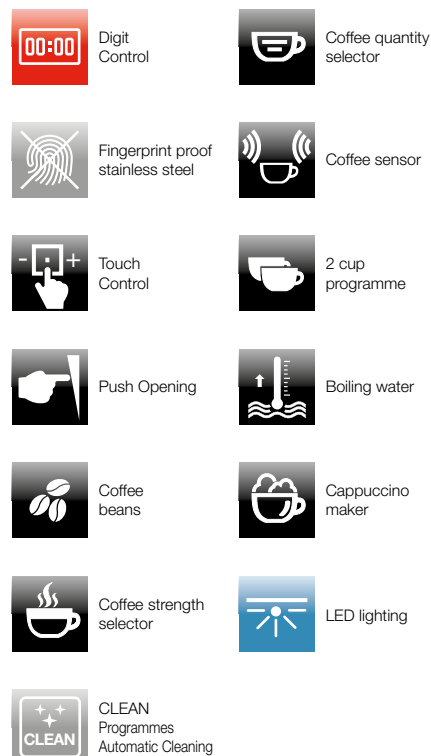


FCM 4509 TC X



FULLY AUTOMATIC MACHINE FOR COFFEE, MILK, HOT DRINKS, STEAM

Finish in fingerprint resistant stainless steel

PERFORMANCE

Espresso / 2 x Espresso.
Coffee / 2 x Coffee
White coffee.
Latte macchiato.
Cappuccino.
Milk froth.
Warm milk.
Hot water.
Water heating Time 3 minutes
Automatic cleaning cycle
Stand-by (energy saving)

FEATURES

Touch control panel
Coffee bean grinder
Coffee bean container (400 g)
2.5 L water tank
Ground coffee container
Height adjustable dispenser
Steam spout
Drip tray
Telescopic rails

SAFETY

Water hardness setting
Coffee and water refill indicators
Ground coffee container to empty indicator
Cleaning indicator
Lime scale filter indicator

STANDARD ACCESSORIES

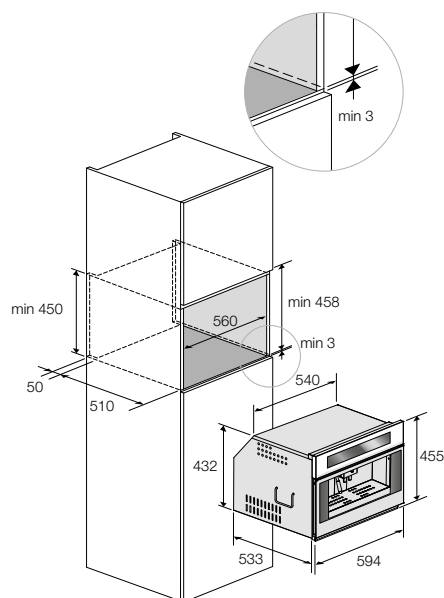
Telescopic rails
Lime scale filter
Power cord with plug

ACCESSORIES ON REQUEST

Coffee accessories wooden container (CM DC 150)

COMPATIBLE WITH:

Fitted drawer CD15 cm (see page 238)
Other COMPACT 45 models



Touch proof stainless steel
FCM 4509 TC X
Code EAN 8019801017492



Drawer with front in stainless steel
CD 15
Code EAN 8019801013456



Internal container
CM DC 150
Code EAN 8019801013494