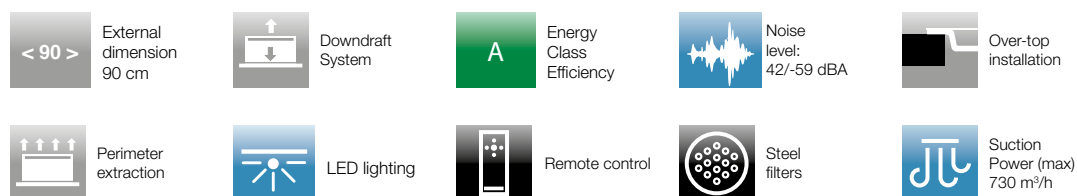


LIFT HOODS

LHDD 9010 RC BK

GLASS



HOOD WITH DOWNDRAFT SYSTEM

Stainless steel finish
Energy Class A

PERFORMANCE

Perimeter extraction
Suction power up to 730 m³/h
4 extraction speeds
Extraction function pre-configured for filters
Sound level 42/-59 dBA

FEATURES

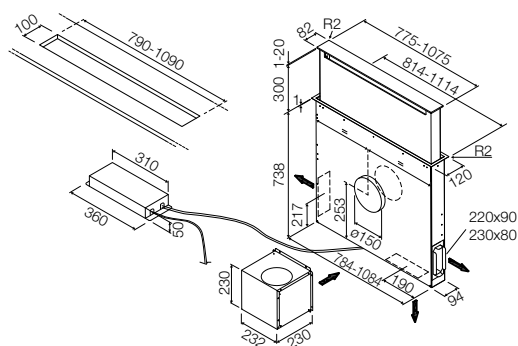
Rated power 285W
Led strip lighting
Internal anti-grease filters in aluminium with steel borders
Air outlet minimum Ø 150 mm

STANDARD ACCESSORIES

Remote control
Power cable

OPTIONAL ACCESSORIES

KITCF 005: carbon filters for filtering version (see page 240)



AVAILABLE MOTORS

DDM Installation on-board hood
DDMA Remote installation
DDME External installation



On board motor
DDM
Code EAN 8019801013395



Remote motor
DDMA
Code EAN 8019801015191



External motor
DDME



Obsidian black glass
LHDD 9010 RC BK
Code EAN 8019801013319



Set of no. 2 carbon filters
KITCF005
Code EAN 8019801015085