

MULTIFUNCTION OVENS

PO 6007 ST X



Fingerprint proof
stainless steel



Hot air ventilation



Nickel free
enamel



Energy
Class
Efficiency

MULTIFUNCTION OVEN

Energy Class A

Finish: touch proof stainless steel and black glass

PERFORMANCE

7 modes

Hot air ventilation

FEATURES

Easy control: end-of-cooking timer + metal knobs

Pyro-grey enamel interior (nickel-free)

Internal lighting

Internal capacity 65 litres

SAFETY

Safety door (2 cool glass panes)

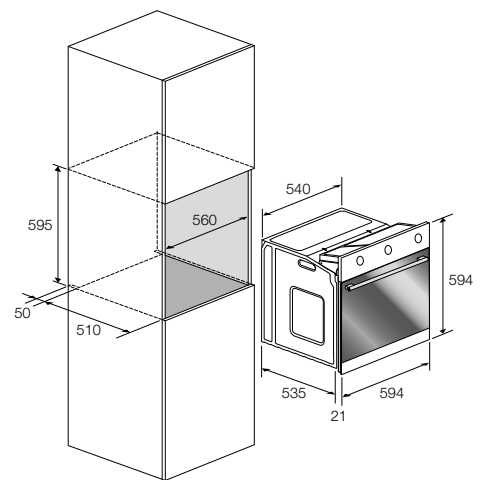
Tangential cooling ventilation

STANDARD ACCESSORIES

1 Pyro-grey enamel tray (nickel-free)

2 chromed racks

Power cord with plug



Touch proof stainless steel

PO 6007 ST X

Code EAN 8019801010950

FULGOR MILANO

is a trademark of Meneghetti S.p.a. Rosà (VI) - Italy
www.fulgor-milano.com - info@fulgor-milano.com