

PO 9607 ST X



Fingerprint proof
stainless steel



Hot air ventilation



FREE
NICKEL Nickel free
enamel



Internal
Capacity
105 litres



A Energy
Class
Efficiency

XXL MULTIFUNCTION ELECTRONIC OVEN

Energy Class A

Finish: Touch proof stainless steel

PERFORMANCE

7 cooking modes

Hot air ventilation

FEATURES

Easy control: end-of-cooking and
metal knobs

Pyro-grey enamel interior
(nickel-free)

Internal lighting

Internal capacity 105 litres

SAFETY

Safety door (3 cool glass panes)

Tangential cooling ventilation

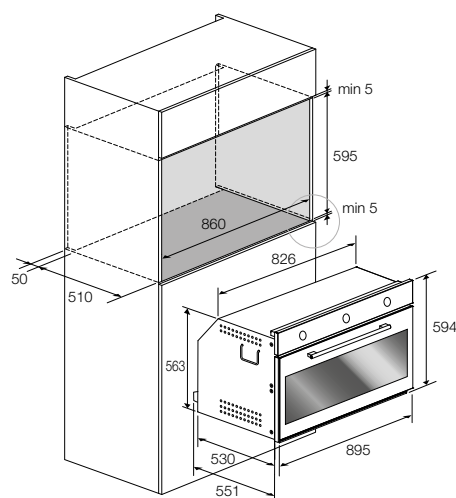
STANDARD ACCESSORIES

1 Pyro-grey enamel tray (nickel-free)

1 chromed rack

Rotisserie with spit

Power cord with plug



Touch proof stainless steel

PO 9607 ST X

Code EAN 8019801014262