

# FCO 4512 TM X



Fingerprint proof stainless steel



Steel Grill Racks



Automatic cooking



Safe Door



Multi-level cooking



Energy Class Efficiency



Stainless steel interiors

## ELECTRONIC MULTIFUNCTION OVEN

CREACTIVE operating system  
Energy Class A+  
Finish in fingerprint resistant stainless steel

## PERFORMANCE

14 cooking modes  
Pre-selected and customizable recipes (weight, temperature, cooking time)  
BOOST, rapid pre-heating

## FEATURES

Control panel with touch controls  
Stainless steel interior  
Internal lighting  
Internal capacity 34 litres

## SAFETY

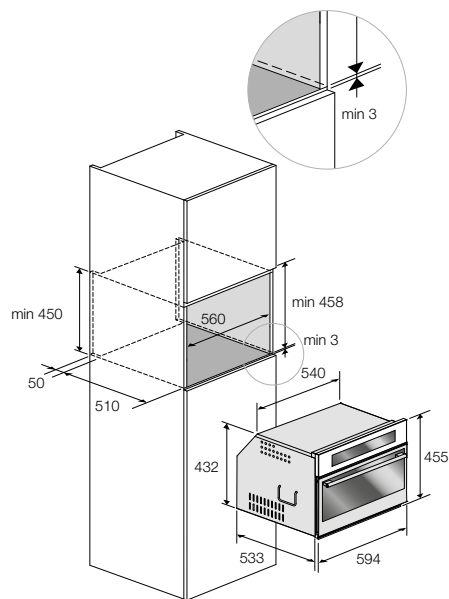
Safety door  
Control panel safety function  
Tangential cooling ventilation

## STANDARD ACCESSORIES

Removable Pizza Stone  
Stainless steel tray with rack  
Flat rack  
Power cord with plug

## COMPATIBLE WITH:

Warming drawer CWD 15 X  
(see page 90)



Fingerprint resistant stainless steel

**FCO 4512 TM X**

Code EAN 8019801017539