

OVEN 100 SERIES 24"



CODE ID

24" MULTIFUNCTION EASY-CLEAN OVEN

F1SM24S2



True Convection



Multi-level cooking



Cool Touch Door



Interior Lighting

OVEN

Knob and electronic controls
True Convection
Black Porcelain enamel interior
1 Halogen light
Gross capacity 2.6 cu. ft.
2 chromed racks
Enameled Broiler Pan (basin + anti splash)

OVEN FUNCTIONS

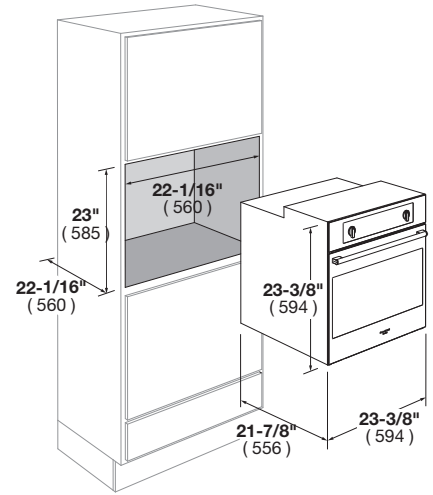
Convection Bake
Convection Broil
Convection Roast
Bake
Broil
Lower Conv. Bake

OPTIONAL ACCESSORIES

FMTELG Telescopic rack

DISTINTO

24" MULTIFUNCTION EASY-CLEAN OVEN



CODE ID	F1SM24S2 - 24" MULTIFUNCTION EASY-CLEAN OVEN	
Series and Finish	100 Series - Stainless Steel	
CONTROL PANEL		
Control Type	2 Knobs/3 Buttons	
Display: Clock - Timer	Red LED	
OVEN		
Type	Electronic	
Temperature Regulation	Electro-Mechanical Control (min/max 120/480°F - 50/250°C)	
OVEN FUNCTIONS		
	True Convection	Bake
	Convection Bake	Oven Lights
	Convection Broil	Broil
	Convection Roast	
OVEN DOOR(S)		
Oven Glass Window	Large See Through Glass	
Door Cooling System	3 Heat Resistant Glasses	
Door Hinges	Heavy Duty Steady Tilt	
Handle Style	Tubular Steel	
OVEN CAVITY		
Gross Capacity (cbft)	2.6	
Usable Capacity (cbft)	2.4	
Cavity Enamel Colour	Black	
Rack Positions	5	
Oven Lights	1x20W Halogen	
HEATING ELEMENTS (@240V)		
Broil Upper Heating Element	1200 W	
Upper Auxiliary Element	1000 W	
Lower Auxiliary Element	-	
Concealed Bake Lower Heating Element	1100 W	
Convection Element	2300 W	
OVEN ACCESSORIES		
Chromed Racks	2	
Enameled Broiler Pan (basin + anti splash)	1	
Telescopic Chromed Rack	Optional	
DIMENSIONS/WEIGHT		
Overall dim - Width	23 - 3/8"	(594 mm)
Overall dim - Height	23 - 3/8"	(594 mm)
Overall dim - Depth	21 - 7/8"	(556 mm)
Cut-out - Width	22 - 1/16"	(560 mm)
Cut-out - Height (min)	23"	(585 mm)
Cut-out - Depth (min)	22 - 1/16"	(560 mm)
Gross Weight	90 lbs	(41 kg)
POWER / RATINGS (208/240 V, 60 HZ)		
kW / Amps rating at 120-240V, 60Hz	2.35kW - 9.8A	
kW / Amps rating at 120-208V, 60Hz	1.80kW - 8.6A	
Power Cable	Conduit	
INSTRUCTIONS FOR USE		
Use & Care Manual / Installation Manual	English / French / Spanish	