

RADIANT COOKTOP 300 SERIES 24"







CODE ID

24" RADIANT COOKTOP WITH KNOB CONTROL WITH BRUSHED ALUMINUM TRIM

F3RK24S2



-  Easy Clean Ceramic Glass
-  Double Radiant
-  Residual Heat Sensor
-  Frame Creative

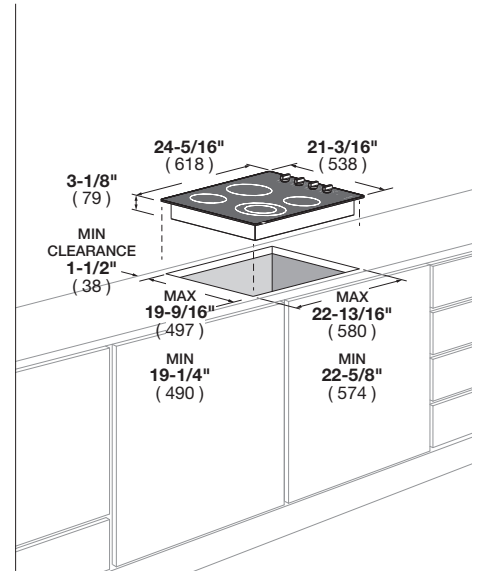
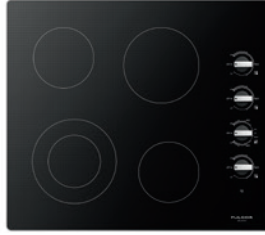


RADIANT COOKTOP

Power on Indication
Hot surface Indication

DISTINTO

24" RADIANT COOKTOP WITH TOUCH CONTROL WITH BRUSHED ALUMINUM TRIM



CODE ID	F3RK24S2 - 24" RADIANT COOKTOP WITH TOUCH CONTROL WITH BRUSHED ALUMINUM TRIM		
Series and Finish	300 Series - Ceramic glass with aluminum frame		
CONTROL PANEL			
Control Type	Knobs		
COOKTOP			
Type	RADIANT		
Cooking Surface	Ceramic Glass		
RADIANT COOKTOP FEATURES			
Automatic Fast Boil Function	9 Levels		
Hot Surface Indication	-		
Timer Functions	•		
Timer Display	4		
Burners types (Rear-L) - Power	7 - 3/4" / 4 - 3/4"	(197 mm / 121 mm)	1900W / 800W
Burners types (Rear-R) - Power	5 - 1/2"	(140 mm)	1200W
Burners types (Front-R) - Power	7"	(180 mm)	1800W
DIMENSIONS/WEIGHT			
Overall dim - Width	24"	(618 mm)	
Overall dim - Height	3 - 5/16" + conduit 15/16"	(84 mm) + conduit (24 mm)	
Overall dim - Depth	21 - 3/16"	(538 mm)	
Cut-out - Width (min - max)	22 - 5/8", 22 - 13/16"	(574 mm) - (580 mm)	
Box - Height	3 - 1/16" + conduit 15/16"	(78 mm) + conduit (24 mm)	
Cut-out - Depth (min - max)	19 - 1/4", 19 - 9/16"	(490 mm) - (497 mm)	
Gross Weight	30 lbs	(14 kg)	
POWER / RATINGS (208/240 V, 60 HZ)			
kW / Amps rating at 240V, 60Hz	6.10kW - 25.4A		
kW / Amps rating at 208V, 60Hz	4.58kW - 22.0A		
Power Cable	Conduit		
INSTRUCTIONS FOR USE			
Use & Care Manual / Installation Manual	English / French / Spanish		