

DISHWASHER 600 SERIES 24"



CODE ID

24" FULLY INTEGRATED DISHWASHER

F6DW24F11



Noise Level 49 (dB)



Steel Tub



Fast Wash Cycle



China and Crystal Cycle



1/2 Load Cycle



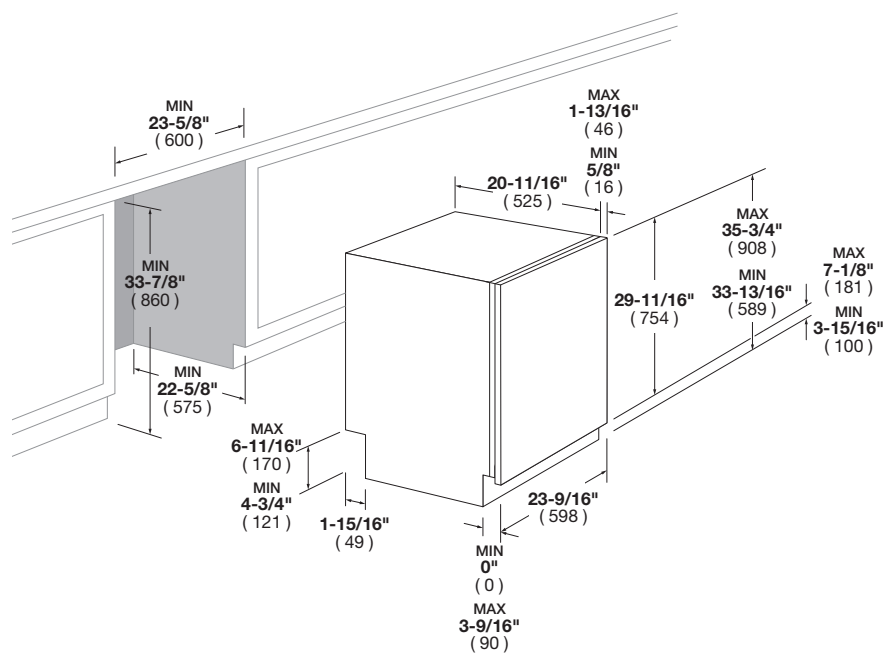
Delayed Start
0-24h

INTEGRATED DISHWASHER

Quiet plus – 49dB
Stainless steel interior tub
10 wash cycles
Fast wash cycles
Adjustable height upper rack
13 place settings
Concealed heating element
Extreme wash (sanitization)
Custom overlay panel-ready

DISTINTO

24" FULLY INTEGRATED DISHWASHER



CODE ID	F6DW24F11 - 24" FULLY INTEGRATED DISHWASHER	
Series and Finish	Series 600 - Fully Integrated - Panel Ready	
PERFORMANCES		
Place Settings	13	
Energy Consumption (kWh / year)	265	
Water Consumption (liters / year)	3360	
Sound level (dB)	50	
HIDDEN CONTROLS		
Program Selector	Grey Push Buttons	
On / Off button	•	
Number of Buttons	4	
Program Gauge	Red	
Temperature	38° - 45° - 55° - 65° - 70°	
Delay Timer	Display 1 digit 9h	
Rinse Aid Level Indicator	Light	
Acoustic Signal at End	•	
PROGRAMMES		
Wash programs	10	
Program	Rapid 27'	Normal (Energy Star)
	Crystal	Extreme wash (Sanitization)
Fast cycles	Daily half load	
	Rinse	Eco quick
	Light quick	Strong and fast
	Normal quick	
ETL Sanitization listed	•	
FEATURES		
Tub Material	Stainless Steel	
Internal Door	Stainless Steel	
Lower Spray Arm	•	
Top Spray Arm	•	
Aquastop	Full	
Keating Element	Concealed heating element	
Turbidness Sensor	•	
Hinges	Fixed Fulcrum - Not Adjustable	
Rear Foot Adjustment	•	
Single Load	4.0 - Pressure switch	
Length of Inlet Hose (mm)	172	
Length of Drain Hose (mm)	170	
Water Hardness Max	100°fH; 58°dH	
BASKETS		
Baskets Color	Grey	
Lower Basket	•	
Upper Basket	•	
Upper Basket Adjustment	Automatic 3 levels	
Cutlery Basket	13 settings	
DIMENSIONS/WEIGHT		
Overall dim - Width	23 - 9/16"	(598 mm)
Overall dim - Height (min - max)	33 - 13/16", 35 - 3/4"	(860 mm) - (910 mm)
Overall dim - Depth	23 - 3/16"	(589 mm)
Cut-out - Width	23 - 5/8"	(600 mm)
Cut-out - Height (min)	33 - 7/8"	(860 mm)
Cut-out - Depth (min - max)	22 - 5/8"	(575 mm)
Gross Weight	106 lbs	(48 kg)
POWER / RATINGS (115 V, 60 HZ)		
kW / Amps rating	1.4kW - 13A	
Power Cable	Nema 5-15P	
INSTRUCTIONS FOR USE		
Use & Care Manual / Installation Manual	English / French / Spanish	