

# DISHWASHER 600 SERIES 24"



CODE ID

24" INTEGRATED DISHWASHER WITH STAINLESS STEEL EXTERIOR

**F6DW24SS1**



Noise Level 49 (dB)



Steel Tub



Fast Wash Cycle



China and Crystal Cycle



1/2 Load Cycle



Delayed Start

## INTEGRATED DISHWASHER

Quiet plus – 49dB

Stainless steel interior tub

10 wash cycles

Fast wash cycles

Adjustable height upper rack

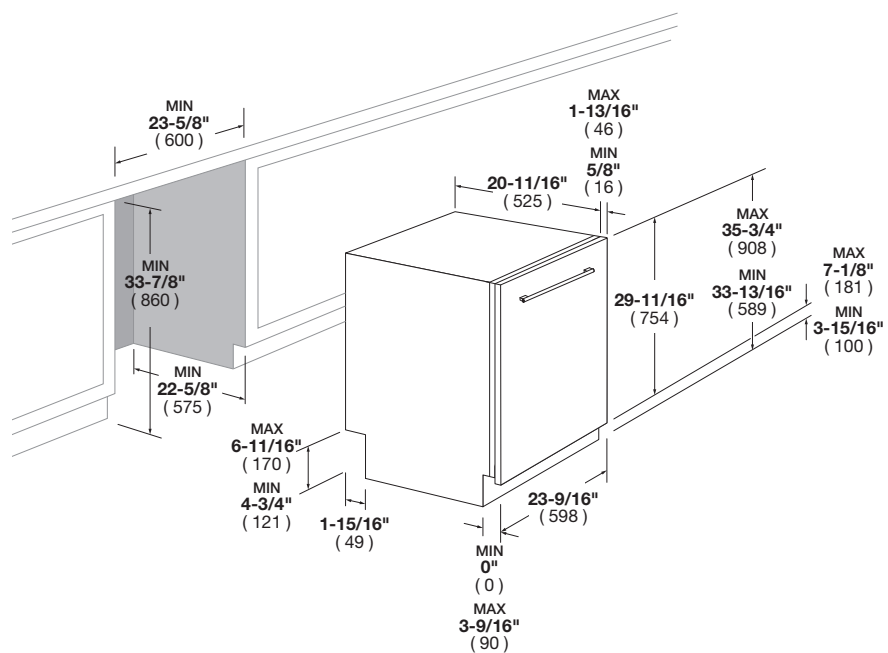
13 place settings

Concealed heating element

Extreme wash (sanitization)

# DISTINTO

24" INTEGRATED DISHWASHER



CODE ID	F6DW24SS1 - 24" INTEGRATED DISHWASHER WITH STAINLESS STEEL EXTERIOR	
Series and Finish	Series 600 - Fully Integrated - Stainless Steel	
<b>PERFORMANCES</b>		
Place Settings	13	
Energy Consumption (kWh / year)	265	
Water Consumption (liters / year)	3360	
Sound level (dB)	50	
<b>HIDDEN CONTROLS</b>		
Program Selector	Grey Push Buttons	
On / Off button	•	
Number of Buttons	4	
Program Gauge	Red	
Temperature	38° - 45° - 55° - 65° - 70°	
Delay Timer	Display 1 digit 9h	
Rinse Aid Level Indicator	Light	
Acoustic Signal at End	•	
<b>PROGRAMMES</b>		
Wash programs	10	
Program	Rapid 27'	Normal (Energy Star)
	Crystal	Extreme wash (Sanitization)
	Daily half load	
Fast cycles	Rinse	Eco quick
	Light quick	Strong and fast
	Normal quick	
ETL Sanitization listed	•	
<b>FEATURES</b>		
Tub Material	Stainless Steel	
Internal Door	Stainless Steel	
Lower Spray Arm	•	
Top Spray Arm	•	
Aquastop	Full	
Keating Element	Concealed heating element	
Turbidness Sensor	•	
Hinges	Fixed Fulcrum - Not Adjustable	
Rear Foot Adjustment	•	
Single Load	4.0 - Pressure switch	
Length of Inlet Hose (mm)	172	
Length of Drain Hose (mm)	170	
Water Hardness Max	100°fH; 58°dH	
<b>BASKETS</b>		
Baskets Color	Grey	
Lower Basket	•	
Upper Basket	•	
Upper Basket Adjustment	Automatic 3 levels	
Cutlery Basket	13 settings	
<b>DIMENSIONS/WEIGHT</b>		
Overall dim - Width	23 - 9/16"	(598 mm)
Overall dim - Height (min - max)	33 - 13/16", 35 - 3/4"	(860 mm) - (910 mm)
Overall dim - Depth	23 - 3/16"	(589 mm)
Cut-out - Width	23 - 5/8"	(600 mm)
Cut-out - Height (min)	33 - 7/8"	(860 mm)
Cut-out - Depth (min - max)	22 - 5/8"	(575 mm)
Gross Weight	101 lbs	(46 kg)
<b>POWER / RATINGS (115 V, 60 HZ)</b>		
kW / Amps rating	1.4kW - 13A	
Power Cable	Nema 5-15P	
<b>INSTRUCTIONS FOR USE</b>		
Use & Care Manual / Installation Manual	English / French / Spanish	