

SOFIA PROFESSIONAL DISHWASHER 24"








CODE ID

24" INTEGRATED DISHWASHER WITH STAINLESS STEEL PROFESSIONAL EXTERIOR

F6PDW24SS1



-  Noise Level 49 (dB)
-  Steel Tub
-  Fast Wash Cycle
-  China and Crystal Cycle
-  1/2 Load Cycle
-  Delayed Start

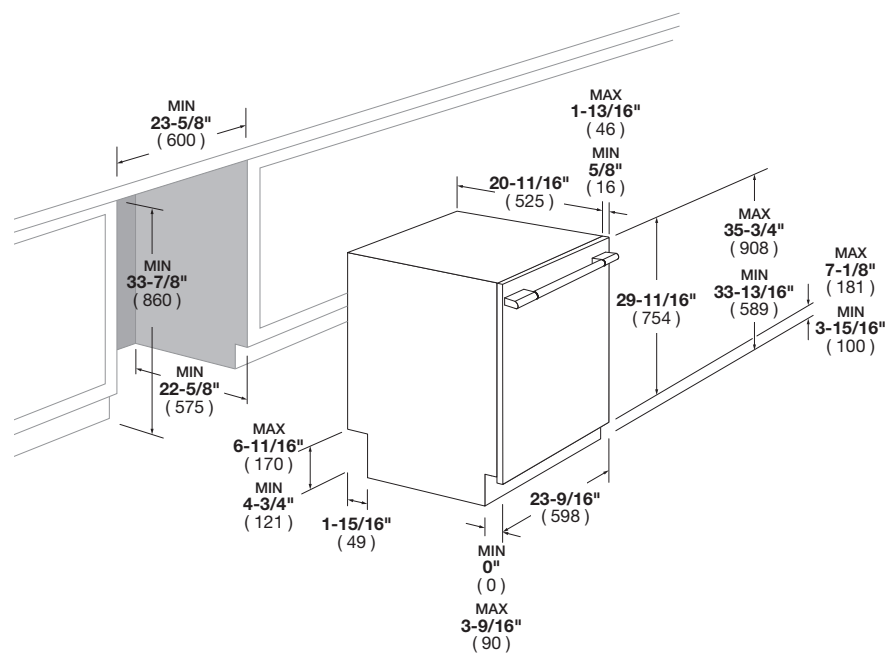


DISHWASHER

- Quiet plus – 49 dB
- Stainless steel interior tub
- 10 wash cycles
- Fast wash cycles
- Adjustable height upper rack
- 13 place settings
- Concealed heating element
- Extreme wash (sanitization)
- Professional Handle

SOFIA

24" INTEGRATED DISHWASHER



CODE ID	F6PDW24SS1 - 24" INTEGRATED DISHWASHER	
Series and Finish	Series 600 - Stainless steel - Interior tub	
PERFORMANCES		
Place Settings	13	
Energy Consumption (kWh / year)	265	
Water Consumption (liters / year)	3360	
Sound level (dB)	50	
HIDDEN CONTROLS		
Program Selector	Grey Push Buttons	
On / Off button	•	
Number of Buttons	4	
Program Gauge	Red	
Temperature	38° - 45° - 55° - 65° - 70°	
Delay Timer	Display 1 digit 9h	
Rinse Aid Level Indicator	Light	
Acoustic Signal at End	•	
PROGRAMMES		
Wash programs	10	
Program	Rapid 27'	Normal (Energy Star)
	Crystal	Extreme wash (Sanitization)
	Daily half load	
Fast cycles	Rinse	Eco quick
	Light quick	Strong and fast
	Normal quick	
ETL Sanitization listed	•	
FEATURES		
Tub Material	Stainless Steel	
Internal Door	Stainless Steel	
Lower Spray Arm	•	
Top Spray Arm	•	
Aquastop	Full	
Keating Element	Concealed heating element	
Turbidness Sensor	•	
Hinges	Fixed Fulcrum - Not Adjustable	
Rear Foot Adjustment	•	
Single Load	4.0 - Pressure switch	
Length of Inlet Hose (mm)	172	
Length of Drain Hose (mm)	170	
Water Hardness Max	100°fH; 58°dH	
BASKETS		
Baskets Color	Grey	
Lower Basket	•	
Upper Basket	•	
Upper Basket Adjustment	Automatic 3 levels	
Cutlery Basket	13 settings	
DIMENSIONS/WEIGHT		
Overall dim - Width	23 - 9/16"	(598 mm)
Overall dim - Height (min - max)	33 - 13/16", 35 - 3/4"	(860 mm) - (910 mm)
Overall dim - Depth	23 - 3/16"	(589 mm)
Cut-out - Width	23 - 5/8"	(600 mm)
Cut-out - Height (min)	33 - 7/8"	(860 mm)
Cut-out - Depth (min - max)	22 - 5/8"	(575 mm)
Gross Weight	101 lbs	(46 kg)
POWER / RATINGS (115 V, 60 HZ)		
kW / Amps rating	1.4 kW - 13A	
Power Cable	Nema 5-15P	
INSTRUCTIONS FOR USE		
Use & Care Manual / Installation Manual	English / French / Spanish	