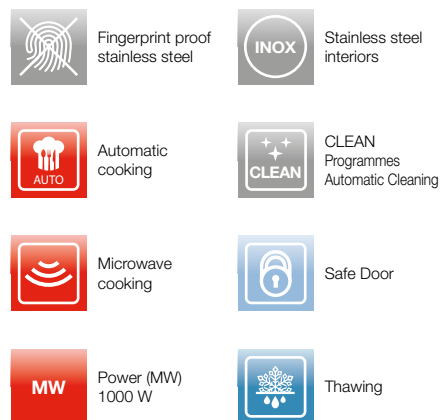


FCMO 4511 TM X



COMBINED MICROWAVE OVEN
CREACTIVE operating system
Finish: Touch proof stainless steel

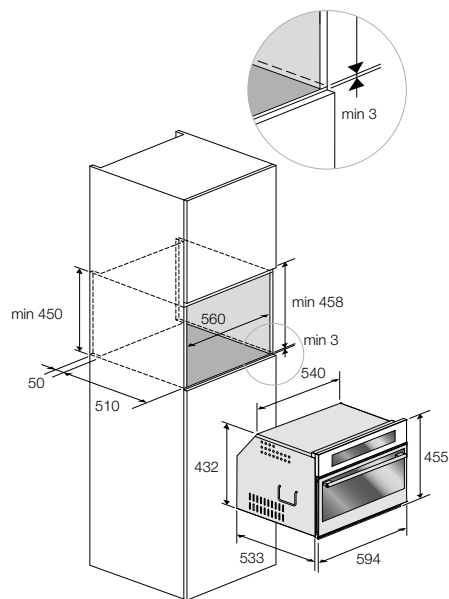
PERFORMANCE
10 combined functions
Automatic cooking
Pre-selected and customizable recipes (weight, temperature, cooking time)
Microwave mode (6 levels) Combined Microwave and fan assisted mode
Combined cooking mode
Microwave and grill mode
Defrosting by time and weight

FEATURES
Control panel with touch controls
Stainless steel interior
Internal lighting
Internal capacity 34 litres

SAFETY
Safety door
Door with safety lock
Door contact switch
Control panel safety function
Tangential cooling ventilation

STANDARD ACCESSORIES
1 round grill rack
1 stainless steel tray with grill support
1 glass turntable
Power cord with plug

COMPATIBLE WITH:
Warming drawer CWD 15 X (see page 90)



Touch proof stainless steel
FCMO 4511 TM X
Code EAN 8019801017515