

MULTIFUNCTION OVENS

## QLO 6007 MT BK



Digit Control



Timer



Bevelled glass



Nickel free enamel



Telescopic Rails  
1 level



Energy Class  
Efficiency



Hot air ventilation

### MULTIFUNCTION ELECTRONIC OVEN

Energy Class A

Finish: bevelled glass

#### PERFORMANCE

7 cooking modes

Hot air ventilation

#### FEATURES

Digital control and steel knobs

Pyro-grey enamel interior (nickel-free)

Internal lighting

Internal capacity 65 litres

#### SAFETY

Safety door (3 cool glass panes)

Tangential cooling ventilation

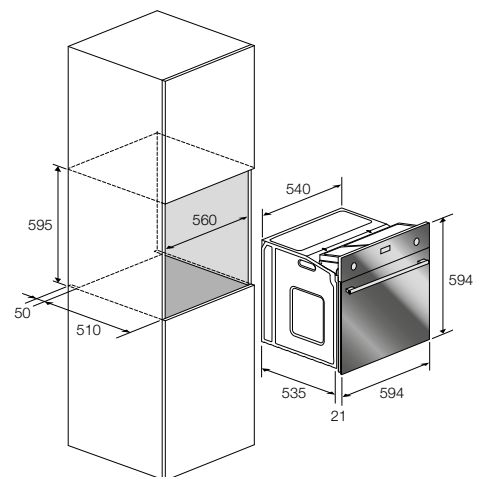
#### STANDARD ACCESSORIES

1 Pyro-grey enamel tray (nickel-free)

2 chromed racks

1 fully retractable telescopic rail

Power cord with plug



Obsidian black glass

QLO 6007 MT BK

Code EAN 8019801015474

FULGOR MILANO

is a trademark of Meneghetti S.p.a. Rosà (VI) - Italy

[www.fulgor-milano.com](http://www.fulgor-milano.com) - [info@fulgor-milano.com](mailto:info@fulgor-milano.com)