

DESIGN HOODS

SHC 12011 RC X



External dimension identifier



Stainless Steel



Ceiling installation



Energy Class Efficiency



Noise level: 47/-61 dBA



Suction



Filtering



LED lighting



Remote control



Suction Power (max) 779 m³/h

CEILING HOOD

Stainless steel finish
Energy Class A

PERFORMANCE

Perimeter extraction
Suction power up to 779 m³/h
4 extraction speeds
Extraction function pre-configured for filters
Sound level 47/-61 dBA

FEATURES

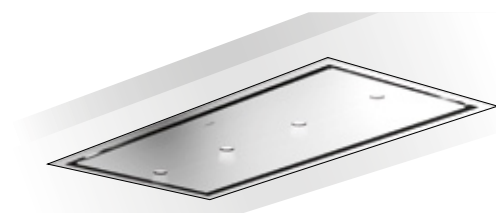
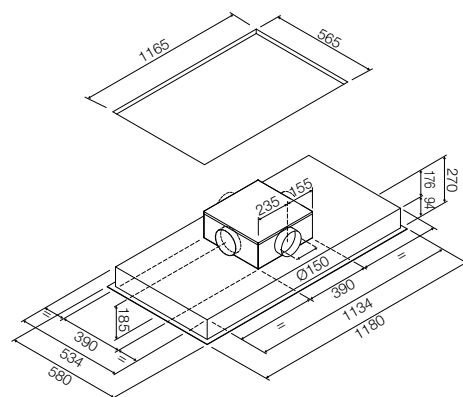
Ceiling mount
Remote control
LED lighting
3 internal aluminium anti-grease filters with steel borders
Rated power 280W
Air outlet minimum Ø 150 mm
Non-return air valve (suction)

STANDARD ACCESSORIES

Power cable

OPTIONAL ACCESSORIES

KITCF 002:
charcoal filters for filtering version



Stainless steel
SHC 12011 RC X
Code EAN 8019801013364



Set of 3 carbon filters
KITCF002
Code EAN 8019801015054



Remote control
RC ALTO HOODS
Code EAN 8019801015139