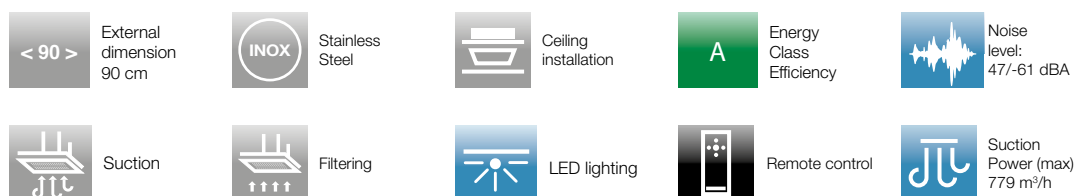


DESIGN HOODS

SHC 9011 RC X



BUILT-IN HOOD

Stainless steel finish
Energy Class A

PERFORMANCE

Perimeter extraction
Suction power up to 779 m³/h
4 extraction speeds
Extraction function pre-configured for filters
Sound level 47/-61 dBA

FEATURES

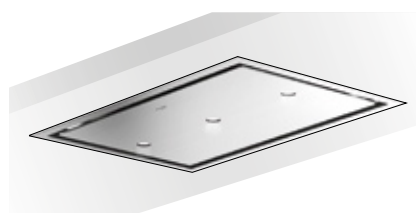
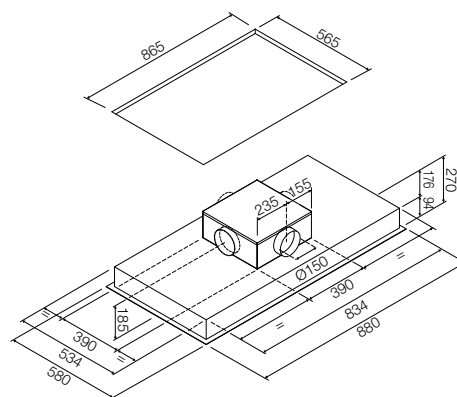
Ceiling mount
Remote control
LED lighting
2 internal aluminium anti-grease filters with steel borders
Rated power 280W
Air outlet minimum Ø 150 mm
Non-return air valve (suction)

STANDARD ACCESSORIES

Power cable

OPTIONAL ACCESSORIES

KITCF 001:
charcoal filters for filtering version



Stainless steel
SCH 9011 RC X
Code EAN 8019801013357



Set of 2 carbon filters
KITCF001
Code EAN 8019801015047



Remote control
RC ALTO HOODS
Code EAN 8019801015139