

CLUSTER CONCEPT 15



CODE ID

WARMING DRAWER

FCLWD 150 BK



Sliding Telescopic Rails



Leavening



Slow Cooking



Warming Function



FEATURES

Front panel 15 cm high
Push to open system
Total extraction
Obsidian black glass finish of front
Internal non-slip rubber mat
Interior lighting
Fan assisted
Knob controlled
Adjustable thermostat
from 40° C to 70° C

MODES

Keep warm cooked food
Thawing
Dough rising
Delicate cooking at 70° C
Pre-heating crocker
Pre-heating coffee cups

SERIES ACCESSORIES

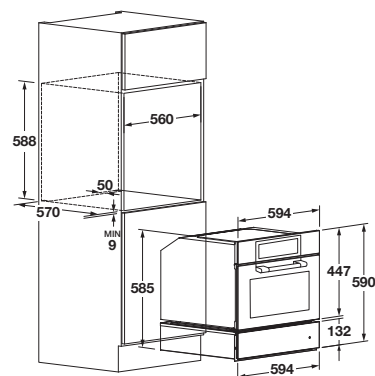
Telescopic guides for sliding opening
Power cord with plug

COMPATIBLE WITH:

FCLSO 4510 TEM BK
FCLMO 4510 TEM BK
FCLGMO 4508 TEM BK

CLUSTER

WARMING DRAWER



FCLWD 150 BK	
Type	Warming drawer
Finishing	Obsidian black glass
Inner surface	Non slip rubber mat
Front opening	Push to Open
Combinable with ovens of	Cluster Concept
PERFORMANCES	
Max temperature °C	70
Low temperatur slow cooking	•
Leavening	•
Reaheat	•
CONTROLS	
On/Off buttons	•
Thermostat	•
Fan assisted	•
Functioning warning light	•
SAFETY	
Cool front	•
POWER RATINGS	
Max absorbed power (W)	400
Tension and frequency (V-Hz)	230-50
Cord	•
Plug type	Schuko
PRODUCT DIMENSIONS	
Width mm	596
Height mm	145
Depth mm	545
Cut-out (WxHxD) mm	560x140x560