

SOFIA PROFESSIONAL SERIES 600 48"



CODE ID

48" PROFESSIONAL HOOD

F6PH48DS1



Filtering



CFM max 1000



6 LED lamps



Noise Level 75 (dB)



Wall hung installation

HOOD

Scotch brite stainless steel (AISI 430)
Heavy Duty Control Panel with Knobs
4 + 4 Speed Mechanical Control
LED lighting
Led 6x1,2 W - 3200 K
Double fan motors
1000 CFM
75 dB sound rating
Baffle filter

Minimum distance:

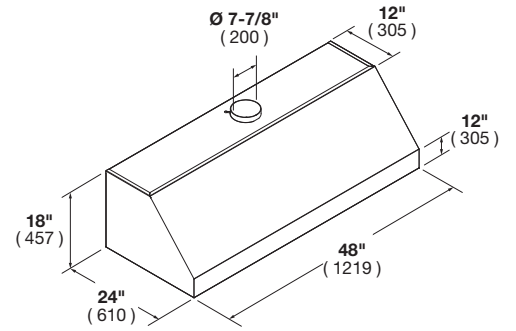
- Electric hob 20 1/2" - 52 cm
- Gas hob 24 3/4" - 63 cm

OPTIONAL ACCESSORIES

F6CK48-12	Chimney cover
FMFIL	Charcoal filter

SOFIA

48" PROFESSIONAL HOOD



CODE ID	F6PH48DS1 - 48" PROFESSIONAL HOOD	
Series and Finish	600 Series - Professional Design - Stainless Steel (AISI 430)	
CONTROL PANEL		
Control Type	4 speed mechanical control	
PERFORMANCES		
Output (CFM)	1000	
Sound Level (dB)	75	
Motor	Twin Motor	
Venting Type	Ducted and recirculating	
FEATURES		
Filter Style	Pro Baffle	
Lighting	6 x 1.2W LED	
Single duct diameter	7 - 7/8"	(200 mm)
DIMENSIONS/WEIGHT		
Overall dim - Width	47 - 7/8"	(1216 mm)
Overall dim - Height	18"	(460 mm)
Overall dim - Depth	24"	(610 mm)
Gross Weight	90 lbs	(41 kg)
POWER / RATINGS (115 V, 60 HZ)		
Watts / Amps	860W - 7.8A	
Power Cable	Nema 5-15P	
INSTRUCTIONS FOR USE		
Use & Care Manual / Installation Manual	English / French / Spanish	