

### Drawer

Compact



LD 15 ME	evolution metal glass front
EAN CODE	8019801014187

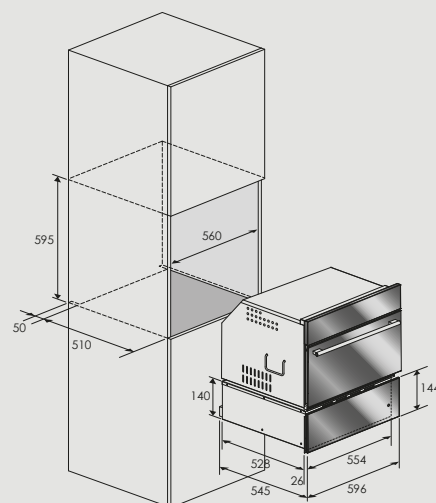
### LD 15 ME

#### Object-holder drawer

- Opening with push/pull system
- Totally removable
- Non-slip internal shelf surface, removable

#### Combinable with:

- LCSO 4511 TC BK, LCSO 4511 TC WH, LCSO 4511 TC ME, LCMO 4511 TC BK, LCMO 4511 TC WH, LCMO 4511 TC ME, LMO 4507 TC BK, LMO 4507 TC WH, LMO 4507 TC ME, LO 4512 TC BK, LO 4512 TC WH, LO 4512 TC ME



TECHNICAL SUPPORT DEPARTMENT  
**199 151 195**



FULGOR MILANO®  
 Meneghetti S.p.a. Via Borgo Lunardon, 8 • 36027 Rosà (Vicenza) - Italy  
 Tel. Direzione commerciale +39 0331 723385

<http://www.fulgor-milano.com>  
 e-mail: info@fulgor-milano.com