

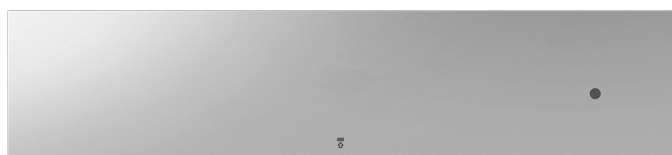
WARMING DRAWER 24"



CODE ID

24" WARMING DRAWER

F4DWD24S1



Sliding Telescopic Rails



Keep Warm Function



Leavening



Slow Cooking



Thawing

SPECIFICATIONS

WARMING DRAWER

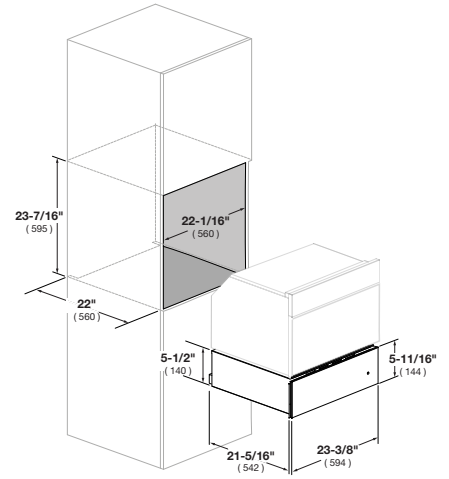
Knob Control
Full extendable telescopic rails
Capacity 0,5 cu. ft.
Fan Assisted Heating System
All stainless steel structure
Warming Temperature range; min. 86 °F up to 190 °F
Push-Pull system to open and close door
Non-slip rubber mat
Internal Lighting

DRAWER 24" FUNCTIONS

Pre-heat dishes
Pre-heat coffee cups
Keep warm ready food
Defrosting
Leavening dough
Slow cooking min. 86 °F up to 190 °F

DISTINTO

WARMING DRAWER



CODE ID	24" WARMING DRAWER F4DWD24S1	
Type	Warming Drawer	
Front finish	Panel	
Internal shelf	Stainless Steel	
Compatible with ovens	F7SP24S1 - F1SM24S2 - F7DSCO24S1 - F7DSPD24S1	
PERFORMANCE		
Maximum temperature	185°F / 85°C	
Cooking at low temperature (slow cooking)	•	
Leavening	•	
Heating dishes and food	•	
Slow close assistance	-	
Open / Close push - pull system	•	
CONTROL		
Thermostat	86°F - 185°F / 30°C - 85°C	
Fan assisted	•	
Function Indicator / Thermostat on/off	•	
SAFETY		
Safety front	•	
ELECTRICAL SPECIFICATIONS		
Max power absorbed (W)	400 W	
Power (V-Hz)	120 V / 60 Hz	
Power cord	•	
Plug	•	
CAPACITY		
Volume (cbft-litri)	0,53	15
DIMENSIONS		
Overall dim - Width	23 - 7/16"	595 mm
Overall dim - Height	6"	153 mm
Overall dim - Depth	21 - 7/16"	545 mm
Cut-out - Width	22 - 1/16"	560 mm
Cut-out - Height	5 - 1/2"	140 mm
Cut-out - Depth	22 - 1/16"	560 mm
WEIGHT		
Net Weight	29 lbs	13 Kg
Gross Weight	34 lbs	15 Kg