

SOFIA PROFESSIONAL 30"



CODE ID

30" PROFESSIONAL GAS RANGE TOP

F6GRT304S1



Heavy Duty Grates



Continuous Grate Surface



Dual Crescendo Burner



Professionally Styled Knobs



SPECIFICATIONS

GAS RANGE TOP

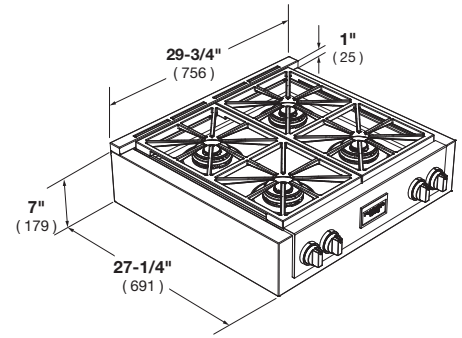
2 Heavy Duty, continuous cast iron grates
One piece, matte finish porcelain burner bowl
4 Dual-Flame Crescendo Burners
1 X 20,000 BTU max (NG)
3 X 18,000 BTU max (NG)
Natural Gas (LP convertible)
Electric Re-ignition system
Flame-out Sensing
Top Mount Injectors

OPTIONAL ACCESSORIES

FMWOK	Wok ring
FMSIM	Simmer plate
F6BG30BCI	Island trim
F6BG30STD	Standard trim
F6BG30HBT	High back trim
FMGRID30	Griddle

SOFIA

30" PROFESSIONAL GAS RANGE TOP



CODE ID	30" PROFESSIONAL GAS RANGE TOP F6GRT304S1	
Series	600	
Finish	Professional Design - Stainless Steel	
CONTROL PANEL		
Control Type	4 Heavy Duty Knobs	
COOKTOP		
Type	GAS (NG or LP)	
Cooking Surface	Matte Black Enamel	
GAS COOKTOP FEATURES		
Electric Re-ignition system	•	
Flame-out sensing	•	
Top Mount Injectors	•	
Dual Crown Brass Burner	•	
Simmer Plate	Optional	
Wok Ring	Optional	
Heavy Duty Cast Iron Grates	2	
Cooking Zones	4	
Burners types	All Dual Flame/Simmer Burner	
Power Front-L,Front-R (Max/Min) NG	-	
Power Front-R (Max/Min) NG	20000 (BTU/h) - 5900W / 750 (BTU/h) - 220W	
Power (Max/Min) NG	18000 (BTU/h) - 5300W / 750 (BTU/h) - 220W	
Power (Max/Min) LP	15000 (BTU/h) - 4400W / 750 (BTU/h) - 220W	
DIMENSIONS/WEIGHT		
Overall dim - Width	29 - 3/4"	758 mm
Overall dim - Height	7"	179 mm
Overall dim - Depth	29 - 3/4"	756 mm
Cut-out - Width	30"	762 mm
Cut-out - Height (min)	7"	179 mm
Cut-out - Depth (min - max)	24", 25 - 1/2"	610 mm - 650 mm
Gross Weight	100 lbs	45 kg
POWER / RATINGS (120 V, 60 HZ)		
Amps	0.1A	
Power Cable	Nema 5-15P	
INSTRUCTIONS FOR USE		
Use & Care Manual / Installation Manual	English / French / Spanish	