

FULGOR

MILANO

DRAWER MICROWAVE

USE & CARE MANUAL

GUIDE D'UTILISATION ET D'ENTRETIEN



Dear Customer,

Thank you for purchasing a Fulgor Milano product. Fulgor Milano is committed to excellence and our signature technologies provide you with professional tools for your kitchen. One of our central philosophies is continuous investment in research that is rooted in developing life enhancing technology. Our goal is to deliver products that are worthy of your family recipes and that will breathe life into your kitchen, the heart of your home. We invite you to enjoy your new Fulgor Milano product with same amount of care and attention that we have put into creating it.

Your Life | Our Passion

Gianni Mezzetti

TABLE OF CONTENTS	PAGE
PRECAUTIONS TO AVOID POSSIBLE EXPOSURE TO EXCESSIVE MICROWAVE ENERGY	1
1 - Important Safety Instructions	2
2 - Information You Need To Know	3-5
About Unpacking and Examining Your Drawer Microwave	3
Radio or TV Interference	3
GROUNDING INSTRUCTIONS	3
About Your Drawer Microwave	3
About Microwave Cooking	3
About Utensils and Coverings	4
About Children and the Microwave	4
About Safety	4
About Food	5
3 - Part Names	6
4 - Before Operating	7
To Set the Clock	7
Stop/Clear	7
Open or Close Microwave Drawer	7
5 - Settings	8-15
Time Cooking	8
To Set Power Level	8
Sensor Settings	8
Covering Foods:	8
Sensor Popcorn/ Sensor Reheat	9
Sensor Cook	10
Defrost	11

TABLE OF CONTENTS	PAGE
Manual Defrost	11
Reheat	12
Beverage Center	12
Melt / Soften / Warm	13
Keep Warm	14
Multiple Sequence Cooking +1 Min	14
More or less time adjustment	14
Help (In the display)	14
Control lock	14
Setup/Help	14
Audible Signal Elimination	15
End Of Cooking Reminder	15
Auto Start	15
Demonstration Mode	15
Timer	15
Standby Mode	15
6 - Cleaning and Maintenance	16
Exterior	16
Stainless Steel Surface	16
Front Side of The Drawer	16
Touch Control Panel	16
Drawer Guides	16
Interior	16
Waveguide Cover	16
Odor Removal	16
7 - Before you call for service	17

PRECAUTIONS TO AVOID POSSIBLE EXPOSURE TO EXCESSIVE MICROWAVE ENERGY

- Do not attempt to operate this oven with the door open since open-door operation can result in harmful exposure to microwave energy. It is important not to defeat or tamper with the safety interlocks.
- Do not place any object between the oven front face and the door or allow soil or cleaner residue to accumulate on sealing surfaces.
- Do not operate the oven if it is damaged. It is particularly important that the oven door close properly and that there is no damage to the: (1) door (bent), (2) hinges and latches (broken or loosened), (3) door seals and sealing surfaces.
- The oven should not be adjusted or repaired by anyone except properly qualified service personnel.

READ ALL INSTRUCTIONS BEFORE USING

When using electrical appliances, basic safety precautions should be followed, including the following:

WARNING - To reduce the risk of burns, electric shock, fire, injury to persons or exposure to excessive microwave energy:

1. Read all instructions before using the appliance.
2. Read and follow the specific "PRECAUTIONS TO AVOID POSSIBLE EXPOSURE TO EXCESSIVE MICROWAVE ENERGY" on page 1.
3. This appliance must be properly grounded. See page 3 for GROUNDING INSTRUCTIONS.
4. Install or locate this appliance only in accordance with the provided Installation Manual.
5. Some products such as whole eggs in shell and sealed containers—for example, closed glass jars—are able to explode and should not be heated in the appliance.
6. Use this appliance only for its intended use as described in this manual. Do not use corrosive chemicals or vapors in this appliance. This appliance is specifically designed to heat, cook or dry food. It is not designed for industrial or laboratory use.
7. As with any appliance, close supervision is necessary when used by children.
8. Do not operate this appliance if it has a damaged cord or plug, if it is not working properly or if it has been damaged or dropped.
9. This appliance should be serviced only by qualified service personnel. Contact nearest Fulgor Milano Authorized Servicer for examination, repair or adjustment.
10. Do not cover or block any openings on the appliance.
11. Do not store or use this appliance outdoors. Do not use this product near water—for example, near a kitchen sink, in a wet basement, near a swimming pool or similar locations.
12. Do not immerse cord or plug in water.
13. Keep cord away from heated surfaces.
14. Do not climb or sit on the appliance.
15. Be sure that fingers or other objects or materials are not around the appliance opening when the appliance is closed.
16. Do not put fingers or clothes around the drawer guides when the appliance is opened or closed. They could be caught in the guides when the appliance is closed.
17. Be sure that the food and container are shorter than the drawer before closing it. You can refer to the height of the side walls of the drawer.
18. When cleaning appliance sealing surfaces that come together on closing the drawer, use only mild, nonabrasive soaps or detergents applied with a sponge or soft cloth. See cleaning instructions on page 16.
19. To reduce the risk of fire in the appliance cavity:
 - a) Do not overcook food. Carefully attend appliance when paper, plastic or other combustible materials are placed inside the appliance to facilitate cooking.
 - b) Remove wire twist-ties from paper or plastic bags before placing bag in appliance.
 - c) If materials inside the appliance ignite, keep appliance door closed, turn microwave off and shut off power at the fuse or circuit breaker panel.
 - d) Do not use the appliance for storage purposes. Do not leave paper products, cooking utensils, or food in the appliance when not in use.
20. Liquids, such as water, coffee or tea are able to be overheated beyond the boiling point without appearing to be boiling due to surface tension of the liquid. Visible bubbling or boiling when the container is removed from the appliance is not always present. **THIS COULD RESULT IN VERY HOT LIQUIDS SUDDENLY BOILING OVER WHEN A SPOON OR OTHER UTENSIL IS INSERTED INTO THE LIQUID.**

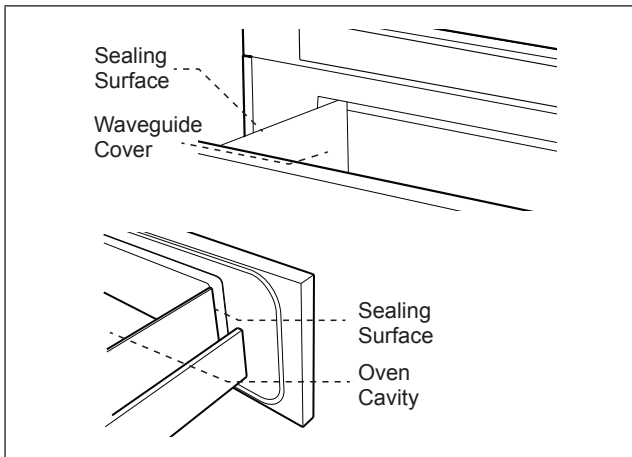
To reduce the risk of injury to persons:

 - a) Do not overheat the liquid.
 - b) Stir the liquid both before and halfway through heating it.
 - c) Do not use straight-sided containers with narrow necks. Use a wide-mouthed container.
 - d) After heating, allow the container to stand in the appliance for at least 20 seconds before removing the container.
 - e) Use extreme care when inserting a spoon or other utensil into the container.
21. If the appliance light fails, consult a FULGOR MILANO AUTHORIZED SERVICER.

SAVE THESE INSTRUCTIONS

About Unpacking and Examining Your Drawer Microwave

1. Remove all packing materials from inside the Drawer Microwave. **DO NOT REMOVE THE WAVEGUIDE COVER**, which is located on the ceiling of the microwave cavity.
2. Check the drawer for any damage, such as misaligned or bent drawer, damaged drawer seals and sealing surfaces, broken or loose drawer guides and dents inside the cavity or on the front side of the drawer. If there is any damage, do not operate the microwave and contact your dealer or a FULGOR MILANO AUTHORIZED SERVICER.

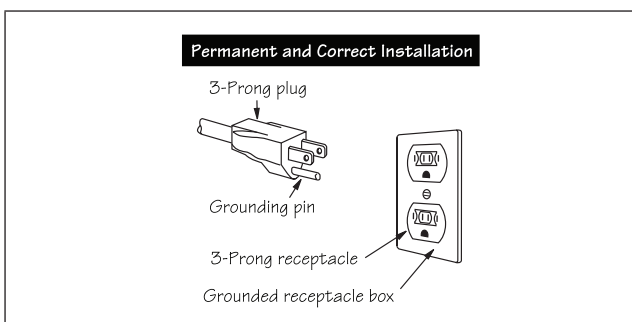


Radio or TV Interference

Should there be any interference caused by the appliance to your radio or TV, check that the Drawer Microwave is on a different electrical circuit, relocate the radio or TV as far away from the drawer as feasible or check position and signal of receiving antenna.

GROUNDING INSTRUCTIONS

This appliance must be grounded. The Drawer Microwave is equipped with a cord having a grounding wire with a grounding plug. It must be plugged into a wall receptacle that is properly installed and grounded in accordance with the National Electrical Code and local codes and ordinances. In the event of an electrical short circuit, grounding reduces risk of electric shock by providing an escape wire for the electrical current.



WARNING - Improper use of the grounding plug can result in a risk of electric shock. Do not use an extension cord. If the power supply cord is too short, have a qualified electrician or serviceperson install an outlet near the appliance.

If you have any questions about the grounding or electrical instructions, consult a qualified electrician or serviceperson.

About Your Drawer Microwave

ALWAYS have food in the appliance when it is running to absorb the microwave energy.

The vent under the Drawer Microwave must not be blocked. During microwaving, steam may come from the left side lower vent (when facing the product).

When using the microwave at power levels below 100%, you may hear the magnetron cycling on and off. It is normal for the exterior of the drawer to be warm to the touch when cooking or reheating.

Condensation is a normal part of microwave cooking and the amount being vented is directly related to the moisture content of the food and room humidity. A cooler room will produce more condensation. Attention should be paid to the vented area after each use of the product and wiped down if needed.

The Drawer Microwave is for food preparation only. It should not be used to dry clothes or newspapers.

In using recipes or package directions, check food a minute or two before the minimum time and add time accordingly.

When opening or closing the drawer quickly, food in the appliance may be spilled. To clean, please refer to the Cleaning and Care section on page 16.

A good microwave cookbook is a valuable asset. Check it for microwave cooking principles, techniques, hints and recipes.

About Microwave Cooking

- Arrange food carefully. Place thickest areas towards outside of dish.
- Watch cooking time. Cook for the shortest amount of time indicated and add more as needed. Food severely overcooked can smoke or ignite.
- Cover foods while cooking. Check recipe or cookbook for suggestions: paper towels, wax paper, microwave plastic wrap or a lid. Covers prevent spattering and help foods to cook evenly.
- Stir foods from outside to center of dish once or twice during cooking, if possible.
- Turn foods over once during microwaving to speed cooking of such foods as chicken and hamburgers. Large items like roasts must be turned over at least once.
- Rearrange foods such as meatballs halfway through cooking both from top to bottom and from right to left.
- Add standing time. Remove food from the microwave and stir, if possible. Cover for standing time which allows the food to finish cooking without overcooking.

- Check for doneness. Look for signs indicating that cooking temperatures have been reached.

Doneness signs include:

- Food steams throughout, not just at edge.
- Center bottom of dish is very hot to the touch.
- Poultry thigh joints move easily.
- Meat and poultry show no pinkness.
- Fish is opaque and flakes easily with a fork.

About Utensils and Coverings

It is not necessary to buy all new cookware. Many pieces already in your kitchen can be used successfully in your new Drawer Microwave. Make sure the utensil does not touch the interior walls during cooking.

Use these utensils for safe microwave cooking and reheating:

- glass ceramic (Pyroceram®), such as Corningware®
- heat-resistant glass (Pyrex®)
- microwave-safe plastics
- microwave-safe paper plates
- microwave-safe pottery, stoneware and porcelain
- browning dish (Do not exceed recommended preheating time. Follow manufacturer's directions.)

These items can be used for short time reheating of foods that have little fat or sugar in them:

- wood, straw, wicker

Do Not Use

- metal pans and bakeware
- dishes with metallic trim
- non-heat-resistant glass
- non-microwave-safe plastics (margarine tubs)
- recycled paper products
- brown paper bags
- food storage bags
- metal twist-ties

Should you wish to check if a dish is safe for microwaving, place the empty dish in the oven and microwave on HIGH for 30 seconds. A dish which becomes very hot should not be used.

The following coverings are ideal:

- Paper towels are good for covering foods for reheating and absorbing fat while cooking bacon.
- Wax paper can be used for cooking and reheating.
- Plastic wrap that is specially marked for microwave use can be used for cooking and reheating. DO NOT allow plastic wrap to touch food. Vent so steam can escape.
- Lids that are microwave-safe are a good choice because heat is kept near the food to hasten cooking.
- Oven cooking bags are good for large meats or foods that need tenderizing. DO NOT use metal twist-ties. Remember to slit bag so steam can escape.

Should you have questions about utensils or coverings, check a good microwave cookbook or follow recipe suggestions.

Accessories There are many microwave accessories available for purchase. Evaluate carefully before you purchase so that they meet your needs. A microwave-safe thermometer will assist you in determining correct doneness and assure you that foods have been cooked to safe temperatures. Fulgor Milano is not responsible for any damage to the Drawer Microwave when accessories are used.

About Children and the Microwave

Children below the age of 7 should use the appliance with a supervising person very near to them. Between the ages of 7 and 12, the supervising person should be in the same room. The child must be able to reach the Drawer Microwave comfortably.

At no time should anyone be allowed to lean or swing on the Drawer Microwave.

Children should be taught all safety precautions: use potholders, remove coverings carefully, pay special attention to packages that crisp food because they may be extra hot.

Don't assume that because a child has mastered one cooking skill they can cook everything.

Children must understand that the Drawer Microwave is not a toy. See page 14 for Control Lock feature.

About Safety

- Check foods to see that they are cooked to the United States Department of Agriculture's recommended temperatures.

TEMP	FOOD
145°F	Fish
160°F	Pork, ground beef/veal/lamb, egg dishes
165°F	For leftover, ready-to-reheat refrigerated, and deli and carry-out "fresh" food. Whole, pieces and ground turkey/chicken/duck.

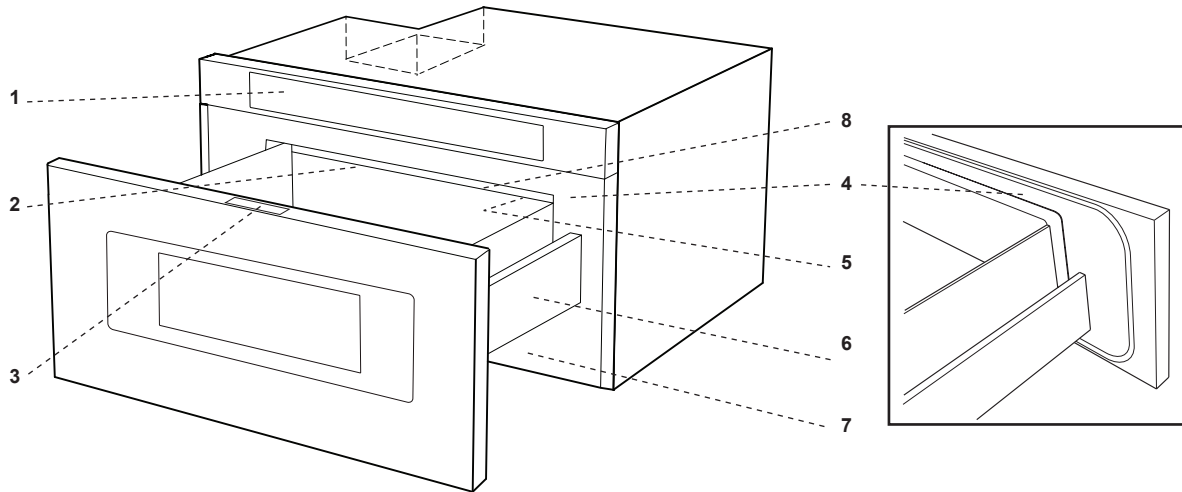
To test for doneness, insert a meat thermometer in a thick or dense area away from fat or bone. **NEVER** leave the thermometer in the food during cooking, unless it is approved for microwave use.

- **ALWAYS** use potholders to prevent burns when handling utensils that are in contact with hot food. Enough heat from the food can transfer through utensils to cause skin burns.
- Avoid steam burns by directing steam away from the face and hands. Slowly lift the farthest edge of a dish's covering and carefully open popcorn and oven cooking bags away from the face.
- Stay near the Drawer Microwave while it's in use and check cooking progress frequently so that there is no chance of overcooking food.

- **NEVER** use the Drawer Microwave for storing cookbooks or other items.
- Select, store and handle food carefully to preserve its high quality and minimize the spread of foodborne bacteria.
- Keep waveguide cover clean. Food residue can cause arcing and/or fires. See page 16.

About Food

FOOD	DO	DON'T
Eggs, sausages, nuts, seeds, fruits & vegetables	<ul style="list-style-type: none"> • Puncture egg yolks before cooking to prevent "explosion". • Pierce skins of potatoes, apples, squash, hot dogs and sausages so that steam escapes. 	<ul style="list-style-type: none"> • Cook eggs in shells. • Reheat whole eggs. • Dry nuts or seeds in shells.
Popcorn	<ul style="list-style-type: none"> • Use specially bagged popcorn for the microwave oven. • Listen while popping corn for the popping to slow to 1 or 2 seconds or use special POPCORN pad. 	<ul style="list-style-type: none"> • Pop popcorn in regular brown bags or glass bowls. • Exceed maximum time on popcorn package.
Baby food	<ul style="list-style-type: none"> • Transfer baby food to small dish and heat carefully, stirring often. Check temperature before serving. • Put nipples on bottles after heating and shake thoroughly. "Wrist" test before feeding. 	<ul style="list-style-type: none"> • Heat disposable bottles. • Heat bottles with nipples on. • Heat baby food in original jars.
General	<ul style="list-style-type: none"> • Cut baked goods with filling after heating to release steam and avoid burns. • Stir liquids briskly before and after heating to avoid "eruption". • Use deep bowl, when cooking liquids or cereals, to prevent boilovers. • Food should be shorter than the Drawer Microwave. Please refer to the height of side walls of the drawer. 	<ul style="list-style-type: none"> • Heat or cook in closed glass jars or air tight containers. • Can in the microwave as harmful bacteria may not be destroyed. • Deep fat fry. • Dry wood, gourds, herbs or wet papers.



- 1 Control panel
- 2 Waveguide cover **DO NOT REMOVE**
- 3 Drawer Microwave Menu Label
- 4 Drawer sealing surfaces
- 5 Drawer light
- 6 Drawer Microwave guides
- 7 Vent
- 8 Nameplate: open the Drawer Microwave fully. The label is beyond the back wall of the microwave cavity facing up from the flat surface.

Control Panel



Numbers next to the control panel illustration indicate pages on which there are feature descriptions and usage information.

Before operating your new Drawer Microwave make sure you read and understand this operation manual completely. The following steps MUST be taken before any functions can be used.

Before you use the Drawer Microwave:

1. Plug in the Drawer Microwave. ENJOY YOUR MICROWAVE TOUCH CLEAR AND TOUCH CLOCK will appear.
2. Touch the STOP/CLEAR pad. . : will appear.
3. Set clock.

To Set the Clock

1. Touch TIMER/CLOCK pad and number 2.
2. Enter the correct time of day by touching the numbers in sequence. Touch TIMER/CLOCK pad.

This is a 12 hour clock. If you attempt to enter an incorrect clock time, ERROR will appear in the display. Touch the STOP/CLEAR pad and re-enter the time.

If the electrical power supply to your Drawer Microwave should be interrupted, the display will intermittently show ENJOY YOUR MICROWAVE TOUCH CLEAR AND TOUCH CLOCK after the power is reinstated. If this occurs during cooking, the program will be erased. The time of day will also be erased. Simply touch STOP/CLEAR pad and reset the clock for the correct time of day.

Stop/Clear

Touch the STOP/CLEAR pad to:

1. Erase if you make a mistake during programming.
2. Cancel timer.
3. Pause the microwave temporarily during timed cooking.
4. Return the time of day to the display.
5. Cancel a program during cooking. (Touch twice to cancel timed cooking.)

Open or Close Microwave Drawer

Always Touch the OPEN or CLOSE pad on the control panel to open or close the Drawer Microwave.

Do not push or pull the drawer by hand, except in case of emergency, such as a power failure. If necessary, push or pull slowly.

Time Cooking

Your Drawer Microwave can be programmed for 99 minutes 99 seconds (99.99). Always enter the seconds after the minutes, even if they are both zeros.

Cook for 5 minutes at 100%

1. Enter cooking time 500.
2. Touch START/+1 MIN pad.

To Set Power Level

There are eleven preset power levels.

Using lower power levels increases the cooking time, which is recommended for foods such as cheese, milk and long slow cooking of meats. Consult a microwave cookbook or recipes for specific recommendations.

Defrost for 5 minutes at 30%

1. Enter defrost time 500.
2. Touch POWER LEVEL pad 8 times.
3. Touch START/+1 MIN pad.

TOUCH POWER LEVEL PAD NUMBER OF TIME FOR DESIRED POWER	APPROX. % OF POWER	POWER LEVEL REFERENCE
POWER LEVEL x 1	100%	High
POWER LEVEL x 2	90%	
POWER LEVEL x 3	80%	
POWER LEVEL x 4	70%	Medium High
POWER LEVEL x 5	60%	
POWER LEVEL x 6	50%	Medium
POWER LEVEL x 7	40%	
POWER LEVEL x 8	30%	Med Low/Defrost
POWER LEVEL x 9	20%	
POWER LEVEL x 10	10%	Low
POWER LEVEL x 11	0%	

Sensor Settings

The Sensor is a semi-conductor device that detects the vapor (moisture and humidity) emitted from the food as it heats. The sensor adjusts the cooking times and power levels for various foods and quantities.

1. After the oven is plugged in, wait 2 minutes before using any sensor setting.
2. Be sure the exterior of the cooking container and the interior of the oven are dry. Wipe off any moisture with a dry cloth or paper towel.

3. The sensor works with foods at normal storage temperature. For example, popcorn would be at room temperature.
4. Any sensor selection can be programmed with More or Less Time Adjustment. See page 14.
5. More or less food than the quantity listed in the charts should be cooked following the guidelines in any microwave cookbook.
6. During the first part of sensor use, the food name will appear on the display. Do not open the oven or touch STOP/CLEAR during this part of the cycle. The measurement of vapor will be interrupted. If this occurs, an error message will appear. To continue cooking, touch the STOP/CLEAR pad and cook manually.

When the sensor detects the vapor emitted from the food, the remainder of cooking/reheating time will appear. The oven may be opened when the remaining time appears on the display. At this time, you may stir or season food, as desired.

Except for Popcorn, if the sensor does not detect vapor properly when cooking other foods, ERROR will be displayed, and the microwave will turn off.

7. Check food temperature after cooking. If additional time is needed, continue to cook manually.
8. Each food has a cooking hint. Touch the SETUP/HELP pad when the HELP indicator is lighted in the display.

Covering Foods:

Some foods work best when covered. Use the cover recommended in the charts for these foods. You may refer to the hints by touching the SETUP/HELP pad. See page 14.

1. Casserole lid.
2. Plastic wrap: Use plastic wrap recommended for microwave cooking. Cover dish loosely; allow approximately 1/2 inch (1.25 cm) to remain uncovered to allow steam to escape. Plastic wrap should not touch food.
3. Wax paper: Cover dish completely; fold excess wrap under dish to secure. If dish is wider than paper, overlap two pieces at least one inch to cover.

Be careful when removing any covering to allow steam to escape away from you.

Sensor Popcorn/ Sensor Reheat

You can pop popcorn and reheat many foods and don't need to calculate cooking time or power level.

Touch SENSOR REHEAT or SENSOR POPCORN and START/+1 MIN pad.

When the sensor detects the vapor emitted from the food, the remainder of cooking/reheating time will appear.

NOTE:

- The Sensor Popcorn setting has 2 choices. Follow directions in the display to choose desired option.

Sensor Popcorn / Sensor Reheat Chart

FOOD	AMOUNT	PROCEDURE
Sensor Popcorn	Only 1 package at a time	Use only popcorn packaged for the microwave. Do not try to pop unpopped kernels.
	2.85 - 3.5 oz (80 - 98 g) (Regular/Regular light)	Touch SENSOR POPCORN pad once.
	1.2 - 1.75 oz (34 - 50 g) (Mini/Snack)	Touch SENSOR POPCORN pad twice.
Sensor Reheat	4 - 36 oz (115 - 900 g)	Place in dish or casserole slightly larger than amount to be reheated. Flatten, if possible. Cover with lid, plastic wrap or wax paper. Use covers such as plastic wrap or lids with larger quantities of more dense foods such as stews. After reheating, stir well, if possible. Re-cover and allow to stand 2 to 3 minutes. Foods should be very hot. If not, continue to heat with variable power and time.

Sensor Cook

1. Touch SENSOR COOK pad once.
2. See Menu Label. Select desired food by touching number pad. Ex: Touch 5 for baked potatoes.

3. Touch START/+1 MIN pad.

NOTE:

- To heat or cook other foods or foods above or below the quantity allowed on the Sensor Cook Chart, cook manually.

Sensor Cook Chart																	
FOOD	AMOUNT	PROCEDURE															
1. Fresh Vegetables: Quick Broccoli Brussels sprouts Cabbage Cauliflower (flowerets) Cauliflower (whole) Spinach Zucchini Baked apples	.25 - 2.0 lb (115 - 900 g) .25 - 2.0 lb (115 - 900 g) .25 - 2.0 lb (115 - 900 g) .25 - 2.0 lb (115 - 900 g) 1 med. .25 - 1.0 lb (115 - 450 g) .25 - 2.0 lb (115 - 900 g) 2 - 4 med.	Wash and place in casserole. Add no water if vegetables have just been washed. Cover with lid for tender vegetables. Use plastic wrap for tender-crisp vegetables. After cooking, stir, if possible. Let stand, covered, for 2 to 5 minutes.															
2. Fresh Vegetables: Longer Carrots, sliced Corn on the cob Green beans Winter squash: diced halves	.25 - 1.5 lb (115 - 675 g) 2 - 4 .25 - 1.5 lb (115 - 675 g) .25 - 1.5 lb (115 - 675 g) 1 - 2	Place in casserole. Add 1 to 4 tablespoons water. Cover with lid for tender vegetables. Use plastic wrap cover for tender-crisp vegetables. After cooking, stir, if possible. Let stand, covered, for 2 to 5 minutes.															
3. Frozen Vegetables	.25 - 1.25 lb (115 - 567 g)	Add no water. Cover with lid or plastic wrap. After cooking, stir and let stand, covered, for 3 minutes.															
4. Frozen Entrees	6 - 17 oz (175 - 480 g)	Use this pad for frozen convenience foods. It will give satisfactory results for most brands. You may wish to try several and choose your favorite. Remove package from outer wrapping and follow package directions for covering. After cooking, let stand, covered, for 1 to 3 minutes.															
5. Baked Potatoes 6. Sweet Potatoes	1 - 6 med. 1 - 6 med.	Pierce. Place on paper towel on a plate or directly in the drawer. After cooking, remove from microwave, wrap in aluminum foil and let stand 5 to 10 minutes.															
7. Ground Meat	.25 - 2.0 lb (115 - 900 g)	Use this setting to cook ground beef or turkey as patties or in a casserole to be added to other ingredients. Place patties on a microwave-safe rack and cover with wax paper. Place ground meat in a casserole and cover with wax paper or plastic wrap. When microwave stops, turn patties over or stir meat in casserole to break up large pieces. Re-cover and touch START/+1 MIN. After cooking, let stand, covered, for 2 to 3 minutes.															
8. Fish/Seafood	.25 - 2.0 lb (115 - 900 g)	Arrange in ring around shallow glass dish (roll fillet with edges underneath). Cover with vented plastic wrap. After cooking, let stand, covered for 3 minutes.															
9. White Rice 10. Brown Rice	.5 - 2.0 cups (95 - 380 g) .5 - 2.0 cups (95 - 380 g)	Place rice into a deep casserole dish and add double quantity of water. Cover with lid or plastic wrap. After cooking, stir, cover and let stand 3 to 5 minutes or until all liquid has been absorbed.															
<table border="1"> <thead> <tr> <th>Rice</th> <th>Water</th> <th>Size of Casserole dish</th> </tr> </thead> <tbody> <tr> <td>.5 c (95 g)</td> <td>1 c (240 ml)</td> <td>1.5 qt (1.5 L)</td> </tr> <tr> <td>1 c (190 g)</td> <td>2 c (480 ml)</td> <td>2 qt (2 L)</td> </tr> <tr> <td>1.5 c (285 g)</td> <td>3 c (720 ml)</td> <td>2.5 (2.5 L) or 3 qt (3 L)</td> </tr> <tr> <td>2 c (380 g)</td> <td>4 c (1 L)</td> <td>3 qt (3 L) or larger</td> </tr> </tbody> </table>			Rice	Water	Size of Casserole dish	.5 c (95 g)	1 c (240 ml)	1.5 qt (1.5 L)	1 c (190 g)	2 c (480 ml)	2 qt (2 L)	1.5 c (285 g)	3 c (720 ml)	2.5 (2.5 L) or 3 qt (3 L)	2 c (380 g)	4 c (1 L)	3 qt (3 L) or larger
Rice	Water	Size of Casserole dish															
.5 c (95 g)	1 c (240 ml)	1.5 qt (1.5 L)															
1 c (190 g)	2 c (480 ml)	2 qt (2 L)															
1.5 c (285 g)	3 c (720 ml)	2.5 (2.5 L) or 3 qt (3 L)															
2 c (380 g)	4 c (1 L)	3 qt (3 L) or larger															

Defrost

Use this feature to defrost the foods shown in the Defrost Chart below.

1. Touch DEFROST pad.
2. See Menu Label. Select desired food by touching the number pad. Ex: Touch 2 for steaks/chops.
3. Enter weight by touching number keys.
4. Touch START/+1 MIN pad.
The oven will stop so that the food can be checked.
5. After the first stage, open the Drawer Microwave. Turn steak over and shield any warm portions. Close the Drawer Microwave. Touch START/+1 MIN pad.
6. After the second stage, open the Drawer Microwave. Shield any warm portions. Close the Drawer Microwave. Touch START/+1 MIN pad.
7. After defrost cycle ends, cover and let stand as indicated in the chart below.

NOTE:

- Defrost can be programmed with More or Less Time Adjustment. See page 14.
- To defrost other foods or foods above or below the weights allowed on the Defrost Chart, see Manual Defrost below.
- Check foods when oven signals. After final stage, small sections may still be icy. Let stand to continue thawing. Do not cook until all ice crystals are thawed.
- Shielding prevents cooking from occurring before the center of the food is defrosted. Use small smooth strips of aluminum foil to cover edges and thinner sections of the food.

Defrost Chart

FOOD	AMOUNT	PROCEDURE
1. Ground Meat	.5 - 2.0 lb (225 - 900 g)	Pull apart and remove any thawed pieces after each stage. Let stand, covered, for 5 to 10 minutes.
2. Steaks/Chops	.5 - 3.0 lb (225 g - 1.4 kg)	After each stage, rearrange and if there are warm or thawed portions, shield with small flat pieces of aluminum foil. Remove any meat or fish that is nearly defrosted. Let stand, covered, for 10 to 20 minutes.
3. Boneless Poultry	.5 - 2.0 lb (225 - 900 g)	Use boneless breast of chicken or turkey. After each stage, if there are warm or thawed portions, rearrange or remove. Let stand, covered, for 10 to 20 minutes.
4. Bone-in Poultry	.5 - 3.0 lb (225 g - 1.4 kg)	Arrange pieces with meatiest portions toward outside of glass dish or microwave safe rack. After each stage, if there are warm or thawed portions, rearrange or remove. Let stand, covered, for 10 to 20 minutes.
5. Roast	2.0 - 4.0 lb (1 - 1.8 kg)	Start defrosting with fat side down. After each stage, turn roast over and shield the warm portions with aluminum foil. Let stand, covered, for 30 to 60 minutes.

Manual Defrost

If the food that you wish to defrost is not listed on the Defrost Chart or is above or below the limits in the amount column on the Defrost Chart, you need to defrost manually.

You can defrost any frozen food, either raw or previously cooked, by using POWER LEVEL at 30%. Follow the exact 3-step procedure found under To Set POWER LEVEL on page 8. Estimate defrosting time and Touch POWER LEVEL pad eight times for 30% power.

For either raw or previously cooked frozen food the rule of thumb is approximately 4 minutes per pound. For example, defrost 4 minutes for 1 pound of frozen spaghetti sauce.

Always stop the oven periodically to remove or separate the portions that are defrosted. If food is not defrosted at the end of the estimated defrosting time, program the oven in 1 minute increments on POWER LEVEL 30% until totally defrosted.

When using plastic containers from the freezer, defrost only long enough to remove from the plastic in order to place in a microwave-safe dish.

Reheat

Reheat automatically computes the correct warming time and microwave power level for foods shown in the chart below.

1. Touch REHEAT pad once.
2. See Menu Label. Select desired food by touching number pad. Ex: Touch 2 for frozen rolls or muffins.
3. Touch the number pad to select quantity. Ex: Touch 2 for 2 rolls or muffins.
4. Touch START/+1 MIN pad.

NOTE:

- Reheat can be programmed with More or Less Time Adjustment. See page 14.
- To reheat other foods or foods above or below the quantity allowed on the Reheat Chart, heat manually.

Reheat Chart

FOOD	AMOUNT	PROCEDURE
1. Fresh Rolls/ Muffins	1 - 8 pcs	Use this pad to warm rolls, muffins, biscuits, bagels etc. Large items should be considered as 2 or 3 regular size. Arrange on plate; cover with paper towel. For refrigerated rolls or muffins, it may be necessary to double the entered amount to ensure the proper serving temperature. For example, enter quantity of 2 for 1 refrigerated muffin.
2. Frozen Rolls/ Muffins	1 - 8 pcs	Use this pad to warm frozen rolls, muffins, biscuits, bagels etc. Large items should be considered as 2 or 3 regular size. Arrange on plate; cover with paper towel.

Beverage Center

Beverage Center enables you to reheat coffee or tea to restore to a more suitable drinking temperature or to make instant coffee or tea.

1. Touch BEVERAGE CENTER pad once.
2. See Menu Label. Select desired selection by touching number pad. Ex: Touch 2 to make coffee.
3. Repeating touching same number pad to select quantity. Ex: Touch 2 two more times for 2 cups of coffee.
4. Touch START/+1 MIN pad.

NOTE:

- Beverage Center can be programmed with More or Less Time Adjustment. See page 14.
- Should you attempt to enter more or less than the allowed amount, an error message will appear in the display.

Beverage Center Chart

FOOD	AMOUNT	PROCEDURE
1. Reheat Beverage	.5 - 2 cups (125 - 500 ml)	This setting is good for restoring cooled beverage to a better drinking temperature. Touch number 1 pad for a 0.5 cup increase per touch. Stir after heating.
2. Hot Water	1 - 6 cups (250 - 1500 ml)	Use this setting for heating COLD TAP WATER to a temperature somewhat below the boiling point to make instant coffee or tea. Touch number 2 pad for 1 cup increase per touch. Stir liquid briskly before and after heating to avoid "eruption".

Melt / Soften / Warm

Melt, Soften and Warm automatically compute the correct heating time and microwave power level for melting, softening and warming foods shown in the chart below.

1. Touch MELT pad once.
2. See Menu Label. Select desired food by touching number pad. Ex: Touch 2 for chocolate.
3. Repeat touching same number pad to select quantity.
Ex: Touch 2 two more times for 1 square.
4. Touch START/+1 MIN pad.

NOTE:

- Melt, Soften and Warm can be programmed with More or Less Time Adjustment. See page 14.
- To melt, soften or warm other food or foods above or below the quantity allowed on the MELT/SOFTEN/WARM CHART, use manual operation.

Melt/Soften/Warm Chart		
FOOD	AMOUNT	PROCEDURE
Melt		
1. Butter	2 tbsp (30 ml) .5 cup (125 ml)	Use a Pyrex measuring cup. Cover with plastic wrap. After touching MELT, touch 1 two times for 2 tbsp. After touching MELT, touch 1 three times for 0.5 cup.
2. Chocolate	1 cup (250 ml) chips 1 square	After touching MELT, touch 2 two times for 1 cup chips. After touching MELT, touch 2 three times for 1 square.
Soften		
1. Ice Cream	1 pint (0.5 L) .5 gallon (1.5 L)	DO NOT COVER. After touching SOFTEN, touch 1 two times for 1 pint. After touching SOFTEN, touch 1 three times for .5 gallon.
2. Cream Cheese	3 oz (85 g) 8 oz (184 g)	After touching SOFTEN, touch 2 two times for 3 oz. After touching SOFTEN, touch 2 three times for 8 oz.
Warm		
1. Syrup	1/4 cup (63 ml) 1/2 cup (125 ml)	Use a Pyrex measuring cup. DO NOT COVER. After touching WARM, touch 1 two times for 1/4 cup. After touching WARM, touch 1 three times for 1/2 cup.
2. Dessert Toppings	1/4 cup (63 ml) 1/2 cup (125 ml)	After touching WARM, touch 2 two times for 1/4 cup. After touching WARM, touch 2 three times for 1/2 cup.

Keep Warm

Keep Warm allows you to keep food warm up to 30 minutes.

Direct Use

1. Touch KEEP WARM pad.
2. Enter desired time by touching the number keys. To enter 30 minutes, touch 3000.
3. Touch START/+1 MIN pad.

The oven will start. The display will show 30:00 and count down. KEEP WARM will be displayed intermittently during the countdown.

With Manual Cooking

1. Enter desired cooking time and power level.
2. Touch KEEP WARM pad.
3. Enter desired warming time up to 30 minutes.
4. Touch START/+1 MIN pad.

The operation will start. When the cooking time is complete, a long tone will sound and Keep Warm will start. The display will count down. KEEP WARM will be displayed intermittently during the countdown.

NOTE:

- If you attempt to enter more than 30 minutes for Keep Warm, an error message will appear in the display.
- Keep Warm cannot be programmed with Sensor Popcorn, Sensor Reheat, Sensor Cook, Defrost or Reheat.

Multiple Sequence Cooking

Your Drawer Microwave can be programmed for up to 4 automatic cooking sequences, switching from one power level setting to another automatically.

Sometimes cooking directions tell you to start on one power level and then change to a different power level. Your Drawer Microwave can do this automatically.

1. First enter cooking time. Then touch POWER LEVEL pad once for 100% cooking or repeat touching POWER LEVEL pad for a lower power level.
2. Enter second cooking time. Repeat touching POWER LEVEL pad for desired level. You can follow this procedure up to 4 times.
3. Touch START/+1 MIN pad.

NOTE:

- If POWER LEVEL pad is touched once, HIGH will be displayed.
- If 100% is selected as the final sequence, it is not necessary to touch the POWER LEVEL pad.
- If you wish to know power level during cooking, simply touch the POWER LEVEL pad. As long as your finger is touching the POWER LEVEL pad, the power level will be displayed.
- Keep Warm can be programmed even if 4 cooking sequences have been set.

+1 Min

+1 Min allows you to cook for a minute at 100% by simply touching the +1 MIN pad. You can also extend cooking time in multiples of 1 minute by repeatedly touching the +1 MIN pad during manual cooking.

NOTE:

- To use +1 Min, touch pad within 3 minutes after cooking, closing the drawer or touching the STOP/CLEAR pad.
- +1 Min cannot be used with Sensor settings, Reheat or Defrost.

More or less time adjustment

Should you discover that you like any of the Sensor, Reheat or Defrost settings slightly more done, touch the POWER LEVEL pad once after touching your selection. The display will show MORE .

For slightly less done, touch the POWER LEVEL pad twice after touching your selection. The display will show LESS.

Help (In the display)

Each setting of Sensor Reheat, Sensor Cook, Sensor Popcorn, Keep Warm, Reheat and Defrost has a cooking hint. If you wish to check, touch SETUP/HELP whenever HELP is lighted in the Interactive Display for these and other manual operation hints.

Control lock

The Control Lock prevents unwanted drawer operation such as by small children. The Drawer Microwave can be set so that the control panel and the automatic door mechanism are deactivated or locked.

To Lock

Touch CONTROL LOCK pad and hold for 3 seconds. The display shows LOCK ON.

To Unlock

Touch CONTROL LOCK pad and hold for 3 seconds. The display shows LOCK OFF.

The Control Lock is canceled when the electrical power supply to your oven is interrupted. Set the Control Lock again when power to the oven is restored.

Setup/Help

If the electrical power supply to your Drawer Microwave should be interrupted, the display will intermittently show ENJOY YOUR MICROWAVE TOUCH CLEAR AND TOUCH CLOCK after the power is reinstated. If this occurs, the Setup/Help option you input will be erased. Simply touch STOP/CLEAR pad and reset.

Audible Signal Elimination

At the end of timed cook, beeps will sound. The audible signal can be turned off if you prefer quiet operation.

To Turn Sound Off

1. Touch SETUP/HELP pad.
2. Touch SETUP/HELP pad again.
3. Touch START/+1 MIN pad. The display shows SOUND OFF.

To Restore Sound

1. Touch SETUP/HELP pad.
2. Touch SETUP/HELP pad again.
3. Touch START/+1 MIN pad. The display shows SOUND ON.

End Of Cooking Reminder

At end of timed cooking, the microwave will signal every 10 seconds for the first minute; then every 3 minutes until STOP/CLEAR pad is touched, up to one hour.

To Turn Reminder Off

1. Touch SETUP/HELP pad three times.
2. Touch START/+1 MIN pad.

To Turn Reminder Signal Back On

1. Touch Setup/Help pad three times.
2. Touch START/+1 MIN pad.

Auto Start

If you wish to program the Drawer Microwave to begin cooking automatically at a designated time of day, follow this procedure.

1. Touch SETUP/HELP pad 4 times.
2. Touch START/+1 MIN pad.
3. Enter start time.
4. Touch TIMER/CLOCK pad.
5. Touch the number keys to enter cooking time. Touch POWER LEVEL pad repeatedly until the desired power level is reached.
6. Touch START/+1 MIN pad.

Demonstration Mode

To Select Demo Mode

1. Touch SETUP/HELP pad five times.
2. Hold START/+1 MIN pad for 3 seconds. The display shows DEMO ON.

To Cancel Demo Mode

1. Touch SETUP/HELP pad five times.
2. Touch START/+1 MIN pad. The display shows DEMO OFF.

NOTE:

- Drawer Microwave doesn't heat in Demo Mode.
- Display counts down quickly.

Timer

1. Touch TIMER/CLOCK pad and number 1.
2. Enter time.
3. Touch TIMER/CLOCK pad again.

To cancel timer, touch STOP/CLEAR.

Standby Mode

This microwave will go into standby mode after a period of inactivity. The backlight of the display will automatically dim after 3 minutes if the unit has not been in operation. If the display is in standby mode, simply touch the control panel or open/close the door to return the backlight to maximum brightness.

Any piece of equipment works better and lasts longer when maintained properly and kept clean. Cooking equipment is no exception. Your Drawer Microwave must be kept clean and maintained properly.

Disconnect the power cord before cleaning or leave the door open to inactivate the oven during cleaning.

Exterior

The outside surface is precoated metal and plastic. Clean the outside with mild soap and water; rinse and dry with a soft cloth. Do not use any type of household or abrasive cleaner.

Stainless Steel Surface

The exterior should be wiped often with a soft damp cloth and polished with a soft dry cloth to maintain its beauty. There are also a variety of products designed especially for cleaning and shining the stainless exterior of the oven. We recommend that the cleaner be applied to a soft cloth and then carefully used on the stainless exterior rather than sprayed directly on to it. Follow package directions carefully.

Front Side of The Drawer

Wipe the window on both sides with a soft damp cloth to remove any spills or spatters. Metal parts will be easier to maintain if wiped frequently with a soft damp cloth. Avoid the use of spray and other harsh cleaners as they may stain, streak or dull the drawer surface.

Touch Control Panel

If desired, the touch keys may be deactivated before cleaning. See the Control Lock information on page 14 of this manual. Wipe the panel with a cloth dampened slightly with water only. Dry with a soft cloth. Do not scrub or use any sort of chemical cleaners. Close drawer and follow directions on page 14 for turning Control Lock off. Touch STOP/CLEAR.

Drawer Guides

Remove the food crumbs from the drawer guides. Wipe with a soft dry cloth in order to keep the Drawer Microwave opening and closing smoothly.

Interior

Before cleaning the Drawer Microwave, touch and hold the Control Lock button for 3 seconds to lock the control pad and the automatic door mechanism. The drawer can be locked in either the open or closed position. The display will show LOCK ON. This will prevent the drawer from accidentally opening or closing during cleaning. After cleaning, touch and hold the Control Lock button for 3 seconds to turn the lock off. The display will show LOCK OFF.

Cleaning is easy because no heat is generated to the interior surfaces; therefore, there is no baking and setting of spills or spattering. To clean the interior surfaces, including drawer sealing surfaces, wipe with a soft damp cloth. **DO NOT USE ABRASIVE OR HARSH CLEANERS OR SCOURING PADS.** For heavier soil, use mild soap; wipe clean with a soft damp cloth. Do not use any chemical oven cleaners.

Waveguide Cover

ATTENTION The waveguide cover, located on the inside top of the Drawer Microwave area, is made from mica, so it requires special care. Keep the waveguide cover clean to assure good microwave performance. Carefully wipe with a soft damp cloth any food spatters from the surface of the cover immediately after they occur. Built-up splashes may overheat and cause smoke or possibly catch fire. Do not remove the waveguide cover.

Odor Removal

Occasionally, a cooking odor may remain in the Drawer Microwave. To remove odor, combine 1 cup water, grated peel and juice of one lemon and several whole cloves in a 2-cup glass microwave-safe measuring cup. Boil for several minutes using 100% power. Leave in the Drawer Microwave until water cools. Wipe interior with a soft cloth.

Please check the following before calling for service. It may save you time and expense.

PROBLEM	POSSIBLE CAUSE	SOLUTION
1. Part or all of Drawer Microwave does not operate.	<ul style="list-style-type: none"> Power cord of Drawer Microwave is not completely connected to the electrical outlet. Power outage. Fuse/circuit breaker at home doesn't work/tripped. Drawer Microwave is in Demo Mode. 	<ul style="list-style-type: none"> Make sure the power cord is tightly connected to the outlet. Check house lights to be sure. Call your local electric company for service. Replace the fuse or reset the circuit breaker. See page 15 for how to cancel Demo Mode.
2. Food in microwave is not heated.	<ul style="list-style-type: none"> No power to the appliance. Drawer controls improperly set. Drawer is in Demo Mode. 	<ul style="list-style-type: none"> See SOLUTION for PROBLEM 1. Check if the controls have been properly set. See page 15.
3. Drawer Microwave light does not work.	<ul style="list-style-type: none"> LED light is either burned out or a connection is loose. 	<ul style="list-style-type: none"> Call for service.
4. Touch controls will not operate.	<ul style="list-style-type: none"> Control Lock is on. 	<ul style="list-style-type: none"> See page 14 to unlock.
5. Display flashes.	<ul style="list-style-type: none"> Power failure. 	<ul style="list-style-type: none"> Touch Clear pad and reset the clock. If the Drawer Microwave was in use, you must reset the cooking function.
6. Steam from the vent.	<ul style="list-style-type: none"> During microwaving, steam may come from the right side of the vent. 	

Warranty Class	Description of warranty coverage
0	Doors, handles, glass, product frames, racking, interior and exterior surfaces are covered by a limited 30-day parts-only warranty for cosmetic defects proven to have originated from the factory. It is the responsibility of the owner to inspect the product and report any such claims within this 30 day period.
1	1 year parts and labor
2	2 years parts and labor
5	5 years parts and labor on the following sealed system components only: compressor, condenser, evaporator, dryer and connective tubing
5p	5 years parts only on the following sealed system components only: compressor, condenser, evaporator, dryer and connective tubing
12p	12 years parts only on the following sealed system components only: compressor, condenser, evaporator, dryer and connective tubing

Product Class	Applicable warranties	For proof of warranty, please retain the original purchase invoice and the delivery slip.
Cooking		
Drop-in Cooktops	0,2	<p>To obtain service under these warranties you must:</p> <ol style="list-style-type: none"> Contact Fulgor-Milano Authorized Service <ol style="list-style-type: none"> For all of North America: online at http://www.thevettagroup.com/servicerequest.a5w In the United States by email at fulgor@appliance-support.com or by toll free number at 1-855-4-fulgor (1-855-438-5467) In Eastern Canada (Ontario->East) by email service@distinctive-online.com or by toll free number at 1-800-361-0799 In Western Canada (Manitoba->West) by email at service@pacificspecialtybrands.com or toll free at 1-877-430-5253 x106 Provide a copy of your original sales receipt along with model number and serial number information for the product. Provide Fulgor Milano reasonable opportunity to investigate the claim before the Product or any component of the Product has been modified or removed.
Built-in Ovens	0,2	
Range Tops	0,2	
Microwaves	0,1	
Freestanding Ranges	0,2	
Cleaning		
Dishwashers	0,2	
Cooling		
Built-in (700 series) refrigeration and wine	0,2,5,12p	
All other refrigeration	0,1,5p	
Ventilation		
Cooker hoods	0,2	

TERMS APPLICABLE TO THESE WARRANTIES

All applicable warranties for each class run concurrently. In accordance to the applicable warranty class, Fulgor Milano warranty covers all parts and / or labor to repair or replace, under normal residential use, any part of the product proving to be defective in material or workmanship as a result of the original manufacturing process.

These warranties is valid only in the contiguous states of the U.S.A. including the District of Columbia and Alaska and the country of Canada. These warranties apply to the original purchaser only and are non-transferable. All service provided by Fulgor Milano under the applicable warranty must be performed by a Fulgor Milano authorized servicer unless otherwise specified in writing by Fulgor Milano. Service will be provided during the regular business hours of each specific region.

These warranties apply only to products purchased from an authorized dealer through an approved distribution chain and which are installed for normal residential use and do not apply to commercial use or use on yachts. These warranties only cover service performed at the location of product installation and will not cover costs associated with repairing off-site unless expressly authorized by Fulgor Milano nor does it cover the travel costs associated with providing service to remote locations. Remote locations are defined as being outside of a 50 mile (80 kilometre) radius from any authorized 'brick and mortar' dealer. These warranties do not cover any parts or labor needed to correct any defect caused by negligence, transport, delivery, improper voltage or accident or improper use, maintenance, installation, service or repair, including but not limited to improper removal and reinstallation of any component of the product (ie. removing handles to fit through doors) prior to or during product delivery / installation. The remedies described herein are the only ones which Fulgor Milano will provide, either under these warranties or under any warranty arising by operation of law. Fulgor Milano will not be responsible for content loss due to spoilage, freezing or burning nor for consequential damages to surrounding cabinetry, construction materials or finishing materials such as but not limited to flooring. Fulgor Milano will not be responsible for any consequential or incidental damages arising from the breach of these warranties or any other warranties, whether express, implied or statutory.

The warranty will be valid and effective only upon presentation of the document stating the purchase date of the appliance, and more specifically of the relevant invoice, proof of purchase or equivalent document showing the name of the seller, the delivery date and the identification data of the appliance (such as; model number and serial number). In the case of new product being included in the purchase of new residential construction; these warranties apply to the original resident of the location containing the Fulgor Milano product and warranty coverage will begin on the date of occupancy of the residence (proof of occupancy required) to a maximum additional six months from the date of delivery of the product by the development company from the distributor or dealer. This extension does not apply to the Class 0 cosmetic warranty.

These warranties are only valid where the difference between the purchase date and the production date of the product is less than eighteen months. Any product which has been warehoused for more than this period will only be covered by Fulgor Milano's B-Stock warranty.

During the warranty period Fulgor Milano reserves the right to evaluate the opportunity to repair the appliance or, at their discretion, offer to replace it with a Fulgor Milano product of equivalent features and functionality but cannot guarantee that the exact model will still be available. Fulgor Milano reserves the right to revise these warranties at any time.

Some states do not allow the exclusion or limitation of incidental or consequential damages so the above limitation or exclusion may not apply to you. These warranties give you specific legal rights and you may also have other rights which vary from state to state.

*Replacement light bulbs / LEDs are only covered under the terms of the Class 0, 30 day cosmetic warranty.

TABLE DES MATIÈRES	PAGE
PRÉCAUTIONS POUR ÉVITER LE RISQUE D'UNE EXPOSITION AUX MICRO-ONDES	1
1 - Importantes consignes de sécurité	2
2 - Ce que vous devez savoir	3-6
À propos du déballage et de l'inspection de votre drawer microwave	3
Interférence radio ou télévision	3
Instructions de mise à la terre électriques	3
À propos de votre drawer microwave	3
À propos de la cuisson aux micro-ondes	3
À propos des enfants et le four à micro-ondes	4
À propos de la sécurité	4
À propos des ustensiles et des moyens de couvrir les aliments	5
À propos des aliments	6
3 - Nomenclature des pièces	7
4 - Avant l'utilisation	8
Réglage de l'horloge	8
Stop/Clear (Arrêt/Annulation)	8
Ouverture ou fermeture du tiroir	8
5 - Réglages	9-16
Temps de cuisson	9
Réglage du niveau de puissance	9
Cuisson commandée par capteur	9
Manières de couvrir les aliments	9
Sensor Cook (Cuisson au capteur)	10
Sensor Popcorn/Sensor Reheat (Mais soufflé au capteur/Réchauffage au capteur)	10
Defrost (Décongélation)	12

TABLE DES MATIÈRES	PAGE
Décongélation manuelle	12
Reheat (Réchauffage)	13
Beverge Center (Centre de boissons)	13
Melt/Soften/Warm (Fondre/Ramollir/Chauffer)	14
Keep Warm (Déchaud)	15
Cuisson à séquences multiples	15
+1 Min	15
Réglage de durée en plus ou en moins	15
Help (Aide - sur l'affichage)	15
Control Lock (Verrouillage des commandes)	15
Setup/Help (Réglages/Aide)	16
Élimination de signal sonore	16
Rappel fin de cuisson	16
Mise en marche automatique	16
Mode de démonstration	16
Timer (Minuteur)	16
Mode veille	16
6 - Nettoyage et entretien	17
Extérieur	17
Surface en acier inoxydable	17
Avant du tiroir	17
Tableau de commandes	17
Intérieur	17
Glissières du micro-onde tiroir	17
Couvercle du guide d'ondes	17
Désodorisation	17
7 - Avant d'appeler un technicien	18
8 - Garantie pour les appareils électroménagers	19-20

PRÉCAUTIONS POUR ÉVITER LE RISQUE D'UNE EXPOSITION AUX MICRO-ONDES

- Ne pas essayer de faire fonctionner ce four lorsque la porte est ouverte, car le fonctionnement avec la porte ouverte pourrait entraîner une exposition dangereuse aux micro-ondes. Il est essentiel de ne pas rendre inopérant le système de fermeture de sûreté et de ne pas le modifier.
- Ne placer aucun objet entre le cadre et la porte du four et ne pas laisser de saleté ou de traces de produits de nettoyage s'accumuler sur les surfaces d'étanchéité.
- Ne pas utiliser le four s'il est endommagé. Il est particulièrement important que la porte ferme correctement et que les éléments suivants ne présentent pas de défauts : (1) porte (gauchie), (2) charnières et verrous (brisés ou desserrés), (3) joints et surfaces d'étanchéité de la porte.
- Le four ne doit être réglé ou réparé que par un personnel d'entretien qualifié.

Certaines précautions de sécurité devraient toujours être prises lorsqu'on se sert d'appareils électriques :

AVERTISSEMENT - Pour réduire les risques de brûlures, de chocs électriques, de feu, de blessures ou d'exposition aux micro-ondes :

1. Lire toutes les instructions avant de se servir de l'appareil.
2. Lire et suivre les PRÉCAUTIONS POUR ÉVITER LE RISQUE D'UNE EXPOSITION AUX MICRO-ONDES à la page 1.
3. Cet appareil doit être mis à la terre. Brancher seulement à une prise à trois broches. Se reporter aux «INSTRUCTIONS DE MISE À LA TERRE ÉLECTRIQUES», à la page 3.
4. Installer ou placer l'appareil conformément aux instructions d'installation fournies.
5. Certains produits comme des oeufs entiers et des contenants scellés – par exemple des bocaux en verre fermés – peuvent exploser et ne devraient pas être utilisés dans ce four.
6. N'utiliser cet appareil qu'aux fins décrites dans ce manuel. Ne pas utiliser de produits corrosifs dans le four à micro-ondes. Ce four a été conçu pour la cuisson et le séchage des aliments, et non pour un usage industriel ou des laboratoire.
7. Comme pour tout appareil, exercer une surveillance étroite quand des enfants l'utilisent.
8. Ne pas faire fonctionner l'appareil si le cordon ou la fiche sont endommagés, si l'appareil ne fonctionne pas bien ou s'il a été endommagé ou est tombé.
9. Cet appareil ne doit être réparé que par du personnel de service autorisé. Communiquer avec le service de réparations autorisé Bertazzoni le plus proche pour un examen, une réparation ou un réglage.
10. Ne pas couvrir ni bloquer d'ouverture de l'appareil.
11. Ne pas ranger ou utiliser cet appareil à l'extérieur. Ne pas utiliser ce produit près de l'eau —par exemple, près d'un évier de cuisine, dans un sous-sol humide, près d'une piscine ou autre endroit semblable.
12. Ne pas immerger le cordon ou la fiche dans l'eau.
13. Tenir le cordon loin des surfaces chauffées.
14. Ne pas monter ou s'asseoir sur de l'appareil.
15. Assurez-vous de ne pas tenir vos doigts ou autres objets ou matériaux près de l'ouverture du tiroir quand le l'appareil est fermé.
16. Ne pas placer les doigts ou des vêtements près des glissières du tiroir lors de l'ouverture ou de la fermeture du l'appareil. Il pourrait être pris dans les glissières lors de la fermeture du tiroir.
17. Vérifier que la nourriture ou le contenant sont plus petits que du tiroir avant de le fermer. Vous pouvez vous reporter à la hauteur des parois latérales cet appareil.
18. Lors du nettoyage des surfaces d'étanchéité qui viennent en contact lors de la fermeture l'appareil, utiliser uniquement des savons ou des détergents doux non abrasifs à l'aide d'une éponge ou d'un chiffon doux. Voir les consignes de nettoyage à la page 17.
19. Pour réduire le risque d'incendie dans la cavité du l'appareil:
 - a. Ne pas trop faire cuire les aliments. Rester prudemment près du four lorsqu'on utilise du papier, du plastique ou tout autre matériel combustible pour faciliter la cuisson.
 - b. Retirer les attaches de métal des sacs de papier ou de plastique avant de mettre les sacs au four.
 - c. Si les matériaux à l'intérieur du l'appareil prennent feu, garder la porte du four fermée, arrêter le four et couper l'électricité au fusible ou au panneau d'entrée.
 - d. Ne pas utiliser la cavité comme espace de rangement. Ne laisser ni papier, ni ustensiles de cuisson, ni aliments dans l'appareil lorsque l'appareil n'est pas utilisé.
20. Des liquides comme l'eau, le café ou le thé peuvent chauffer au-delà du point d'ébullition sans qu'aucun bouillonnement n'apparaisse à cause de la tension de surface du liquide. Ainsi, quand le contenant est retiré du l'appareil, il peut ne pas y avoir d'ébullition ou de bouillonnement apparents. IL PEUT EN RÉSULTER UN DÉBORDEMENT DES LIQUIDES TRÈS CHAUDS LORSQU'UNE CUILLER OU UN AUTRE USTENSILE EST PLONGÉ DANS LE LIQUIDE.

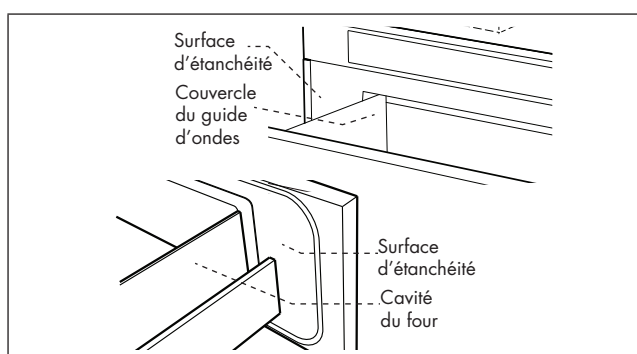
Pour réduire le risque de blessures personnelles :

 - a. Ne pas trop chauffer le liquide.
 - b. Remuer le liquide et avant de le chauffer et à mi-cuisson.
 - c. Ne pas utiliser de contenants à bords droits et à goulot mince. Utiliser un bocal à large goulot.
 - d. Après le chauffage, laisser reposer le contenant dans le four à l'appareil pour au moins 20 secondes avant de le retirer.
 - e. Faire très attention lorsque vous mettez une cuiller ou un autre ustensile dans le contenant.
21. Si la lumière du four ne s'allume pas, communiquer avec un BUREAU DE SERVICE FULGOR MILANO AUTORISÉ.

CONSERVER CE MODE D'EMPLOI

À propos du déballage et de l'inspection de votre Drawer Microwave

1. Retirer tous les matériaux d'emballage de l'intérieur du Drawer Microwave. **NE PAS RETIRER LE GUIDE D'ONDES** qui est situé au plafond du Drawer Microwave.
2. Retirer l'étiquette des caractéristiques, s'il y en a une. Vérifier que le four n'a aucun dommage, comme un tiroir mal aligné ou plié, des joints ou des surfaces d'étanchéité de porte endommagés, des glissières cassées ou lâches et des bosses à l'intérieur de la cavité ou sur la façade du tiroir. En cas de dommages, ne pas faire fonctionner le Drawer Microwave et contacter votre détaillant ou un **RÉPARATEUR AUTORISÉ FULGOR MILANO**.

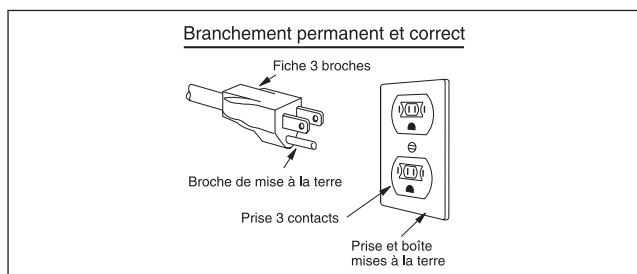


Interférence Radio ou Télévision

Si le Drawer Microwave provoque de l'interférence avec la radio ou la télévision, vérifier qu'il est branché sur un circuit électrique indépendant, en éloigner la radio ou le téléviseur le plus possible et vérifier la position et le signal de l'antenne de réception.

INSTRUCTIONS DE MISE À LA TERRE ÉLECTRIQUES

Cet appareil doit être mis à la terre. Ce four est équipé d'un cordon d'alimentation avec fil de mise à la terre, et d'une fiche de mise à la terre. Il faut le brancher dans une prise murale qui a été installée correctement et mise à la terre selon le Code national de l'électricité et les codes et décrets locaux. En cas de court-circuit électrique, la mise à la terre réduit les risques de choc électrique en permettant au courant de s'échapper par le fil de mise à la terre.



ATTENTION - Un mauvais usage de la prise de terre peut causer des chocs électriques. N'employez pas une rallonge. Si le cordon d'alimentation est trop court, demander à un électricien ou un réparateur qualifié de poser une prise près de l'appareil.

Si vous avez des questions à propos de l'installation électrique ou de la mise à la terre, consultez un électricien de métier ou un réparateur qualifié.

À propos de votre Drawer Microwave

Veiller à ce qu'il y ait **TOUJOURS** des aliments dans le tiroir lorsqu'il fonctionne, de sorte qu'ils absorbent l'énergie micro-onde.

L'évent sous le four doit toujours être dégagé. Pendant la cuisson aux micro-ondes, de la vapeur peut s'échapper par le côté droit de l'évent.

Quand on utilise le Drawer Microwave à des niveaux de puissance inférieurs à 100 %, on peut entendre la mise en marche et l'arrêt du magnétron. Il est normal que l'extérieur du tiroir soit chaud au toucher pendant la cuisson ou le réchauffage.

La condensation est un phénomène normal pendant la cuisson aux micro-ondes. L'humidité ambiante et la teneur en eau des aliments déterminent le degré de condensation à l'intérieur du tiroir. En règle générale, les aliments couverts produisent moins de condensation que ceux cuits à découvert.

Le Drawer Microwave n'est conçu que pour la préparation des aliments. Il ne doit pas servir à faire sécher des vêtements ou des journaux.

La puissance nominale de ce four est égale à 950 watts selon la méthode d'essai IEC. Vérifier la cuisson des aliments une minute ou deux avant l'expiration du temps minimum indiqué sur les recettes et les emballages et, s'il y a lieu, augmenter le temps de cuisson.

Lors d'une ouverture ou d'une fermeture rapide du Drawer Microwave, de la nourriture peut être renversée dans le tiroir. Pour nettoyer, veuillez vous reporter au chapitre Nettoyage et entretien à la page 17.

Un bon livre de cuisine aux micro-ondes est très utile. Il présente les principes, les techniques, des conseils et des recettes de cuisine aux micro-ondes.

À propos de la cuisson aux micro-ondes

- Disposer les aliments avec soin. Placer la partie la plus épaisse des aliments vers l'extérieur du plat.
- Surveiller le temps de cuisson. Cuire les aliments pendant la plus courte période indiquée et prolonger la cuisson au besoin. Des aliments trop cuits peuvent dégager de la fumée ou prendre feu.
- Recouvrir les aliments pendant la cuisson. Selon la recette ou le livre de cuisine, utiliser un essuie-tout, du papier ciré, un film plastique allant au micro-onde ou un couvercle.

Couvrir les aliments empêche les éclaboussures et assure une cuisson égale.

- Protéger les parties de viande ou de volaille très minces par des petits écrans en papier d'aluminium pour éviter qu'ils ne cuisent trop vite par rapport aux parties plus épaisses.
- Si possible, remuer les aliments de l'extérieur du plat vers le centre une ou deux fois pendant la cuisson.
- Retourner les aliments comme du poulet et des hamburgers une fois au cours de la cuisson afin d'accélérer le processus. Il faut retourner les grosses pièces comme les rôtis au moins une fois.
- À la mi-cuisson, déplacer les aliments comme les boulettes de viande du haut vers le bas et de droite à gauche.
- Ajouter du temps de repos. Retirer les aliments du four et, si possible, les remuer. Couvrir les aliments pendant ce temps pour en finir la cuisson. Vérifier que les aliments sont bien cuits. Rechercher les signes qui indiquent que les températures de cuisson ont été atteintes.
- Vérifiez si les aliments sont cuits. Vérifiez les signes qui indiquent que les aliments sont cuits à point. Ces signes incluent :
 - Tout l'aliment produit de la vapeur, pas seulement les extrémités.
 - La partie centrale et inférieure du plat est très chaude au toucher.
 - Les articulations de la volaille bougent facilement.
 - La viande et le poulet ne sont plus roses.
 - Le poisson est opaque et les morceaux se détachent facilement.

À propos des enfants et le four à micro-ondes

Les enfants de moins de 7 ans ne devraient utiliser le Drawer Microwave que sous la surveillance attentive d'un adulte. Pour les enfants de 7 à 12 ans, l'adulte surveillant doit se trouver dans la même pièce qu'eux. L'enfant doit pouvoir accéder facilement au tiroir.

Jamais personne ne doit être autorisé à s'appuyer ou à s'asseoir sur le Drawer Microwave.

Il faut enseigner les mesures de sécurité aux enfants : Employer des gants isolants, enlever les couvercles avec précaution, faire très attention aux contenants d'aliments à forte teneur en eau ou en graisse parce qu'ils peuvent devenir très chauds.

Ne pas présumer qu'un enfant qui connaît bien une fonction de l'appareil peut cuire n'importe quoi.

Les enfants doivent apprendre que le Drawer Microwave n'est pas un jouet. Voir à la page 15 la caractéristique du verrouillage des commandes.

À propos de la sécurité

- Inspecter les aliments pour voir s'ils ont été cuits aux températures recommandées par le ministère de l'agriculture des États-Unis.

TEMP	ALIMENTS
63 °C (145 °F)	Poisson
71 °C (160 °F)	Porc, boeuf haché/veau/agneau, plats aux oeufs
64 °C (165 °F)	Pour les restes, les aliments réfrigérés prêts-à-réchauffer, et les aliments frais d'un traiteur ou l'équivalent. Volaille, morceaux et dinde hachée/poulet/canard.

Pour vérifier si les aliments sont cuits à point, insérer un thermomètre à viande dans une partie épaisse, à l'écart de la graisse et des os. Ne **JAMAIS** laisser le thermomètre dans les aliments qui cuisent, sauf s'il est approuvé pour emploi aux micro-ondes.

- **TOUJOURS** utiliser des gants isolants pour éviter des brûlures lorsque l'on se sert d'ustensiles en contact avec des aliments chauds. Assez de chaleur des aliments peut être transféré aux ustensiles pour provoquer des brûlures de la peau.
- Diriger la vapeur loin du visage et des mains afin d'éviter des brûlures. Soulever doucement la partie la plus éloignée des couvercles et des pellicules et ouvrir lentement les sacs de maïs soufflé ou de cuisson en les tenant loin du visage.
- Rester près du four quand il fonctionne et vérifier fréquemment la cuisson afin d'éviter de trop cuire les aliments.
- Ne **JAMAIS** entreposer des livres de cuisine ou autres objets dans le Drawer Microwave.
- Choisir, entreposer et manipuler la nourriture de manière à préserver sa qualité et de minimiser la prolifération de bactéries alimentaires.
- Garder propre le couvercle du guide d'ondes. Les résidus d'aliments peuvent causer des étincelles ou s'enflammer. Voir page 17.

À propos des ustensiles et des moyens de couvrir les aliments

Il n'est pas nécessaire d'acheter une nouvelle batterie de cuisine. La plupart des ustensiles de votre cuisine peuvent être utilisés dans votre nouveau four à micro-ondes. S'assurer que les ustensiles ne touchent pas les parois intérieures pendant la cuisson.

Se servir de ces ustensiles pour cuire et réchauffer sans danger aux micro-ondes :

- La vitrocéramique (Pyroceram®), comme Corningware®.
- Le verre résistant à la chaleur (Pyrex®)
- Les plastiques pour micro-ondes
- Les assiettes en papier pour micro-ondes
- La céramique, la poterie, la porcelaine pour micro-ondes

Les plats à brunir (ne pas dépasser pas les temps de préchauffage recommandés. Suivre les directives du fabricant).

Les articles suivants peuvent être utilisés pour le réchauffage très court des aliments qui contiennent peu de sucre ou de graisses :

- Le bois, la paille et l'osier

NE PAS UTILISER

- De casseroles et de plats de cuisson métalliques
- De plats à bordure métallique
- Du verre qui ne résiste pas à la chaleur
- De plastiques ne convenant pas aux micro-ondes (contenants de margarine)
- De produits en papier recyclé
- De sacs en papier brun
- De sacs pour la conservation des aliments
- D'attaches métalliques

Pour vérifier si un plat va au four à micro-ondes, le placer dans le four et mettre le four en marche à la puissance maximale pendant 30 secondes. Si le plat devient très chaud, il ne faut pas l'employer.

Les articles suivants sont idéaux pour couvrir :

- Les essuie-tout conviennent bien pour recouvrir les aliments pendant le réchauffage et pour absorber la graisse de cuisson du bacon.
- Le papier ciré peut être employé pour la cuisson et le réchauffage.
- Le film plastique destiné spécialement à l'usage aux micro-ondes peut être utilisé pour la cuisson et le réchauffage. Le film plastique ne doit JAMAIS entrer en contact avec les aliments. Percer le film pour laisser échapper la vapeur.
- Les contenants pour micro-ondes sont un très bon choix, car ils concentrent la chaleur sur les aliments et accélèrent la cuisson.
- Les sacs de cuisson au four conviennent pour les grosses pièces de viande ou les aliments à attendrir. NE PAS SE SERVIR d'attaches métalliques. Ne pas oublier de percer le sac pour laisser échapper la vapeur.

Comment se servir du papier aluminium dans votre tiroir :

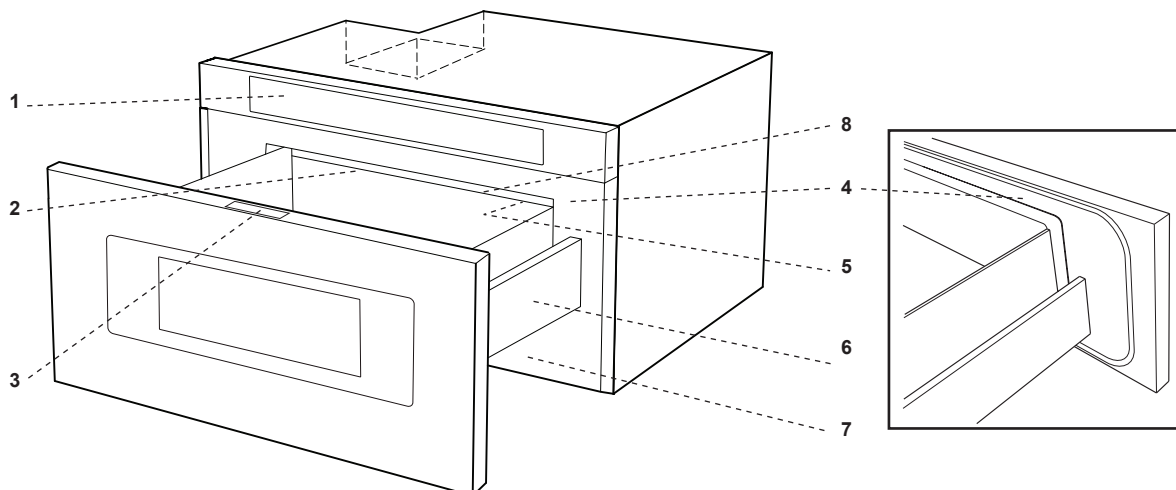
- De petits morceaux non froissés de papier aluminium posés sur les aliments peuvent servir à protéger les parties qui décongèlent ou cuisent trop rapidement.
- Le papier d'aluminium doit être gardé au moins 2,5 cm des surfaces du Drawer Microwave.

Pour toute question concernant les ustensiles ou la manière de couvrir les aliments, consulter un bon livre de cuisine spécialisé en micro-ondes ou suivre les conseils de la recette.

Accessories De nombreux accessoires pour four à micro-ondes sont offerts sur le marché. Évaluer soigneusement vos besoins avant d'en faire l'acquisition. Un thermomètre pour micro-ondes permettra de vérifier la cuisson à point et de s'assurer que les aliments ont été cuits à la bonne température. Fulgor Milano n'est pas responsable des dommages au tiroir résultant de l'utilisation d'accessoires.

À propos des aliments

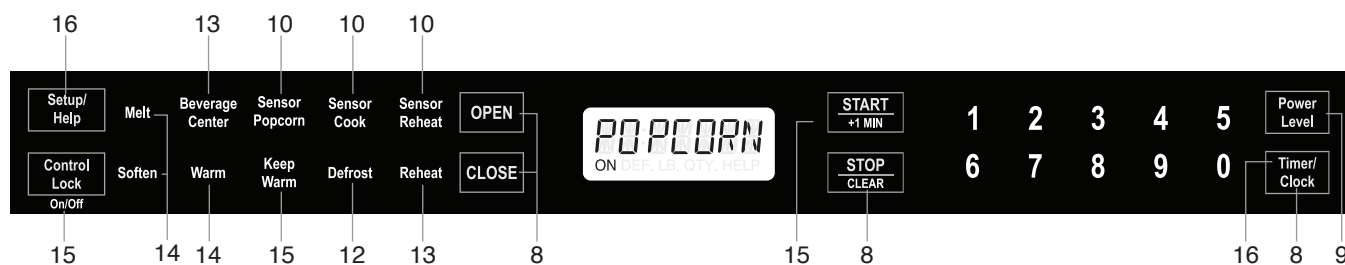
ALIMENTS	À FAIRE	À NE PAS FAIRE
Oeufs, saucisses, fruits et légumes	<ul style="list-style-type: none"> • Percer les jaunes d'oeufs avant la cuisson pour empêcher une « explosion ». • Percer la peau des pommes de terre, des courges, des hot dogs et des saucisses pour que la vapeur s'échappe. 	<ul style="list-style-type: none"> • Cuire les oeufs dans leur coquille. • Réchauffer des oeufs entiers. • Sécher des noix ou des graines dans leur coquille.
Maïs soufflé	<ul style="list-style-type: none"> • Utiliser du maïs soufflé en sac pour micro-onde. • Porter attention à l'éclatement du maïs pour que celui-ci ralentisse à 1 ou 2 secondes ou utiliser la touche POPCORN. 	<ul style="list-style-type: none"> • Faire éclater du maïs soufflé dans des sacs en papier ordinaires ou des bols de verre. • Dépasser le temps maximal inscrit sur le paquet de maïs soufflé.
Aliments pour bébé	<ul style="list-style-type: none"> • Transférer les aliments pour bébé dans un plat plus petit et chauffer prudemment en remuant souvent. Vérifier la température avant de servir • Mettre les tétines sur les bouteilles après le réchauffage et bien agiter. Essayer sur le poignet avant de nourrir. 	<ul style="list-style-type: none"> • Chauffer les bouteilles jetables. • Chauffer les bouteilles avec les tétines. • Chauffer les aliments pour bébé dans les pots d'origine
Général	<ul style="list-style-type: none"> • Couper les aliments avec garniture après chauffage pour relâcher la vapeur et éviter les brûlures. • Remuer vivement les liquides avant et après chauffage pour empêcher une « éruption ». • Se servir d'un bol profond pour cuire des liquides ou des céréales pour empêcher les débordements. • Les aliments doivent être plus petits que le tiroir à micro-ondes. Ne dépassez pas la hauteur des parois latérales du tiroir. 	<ul style="list-style-type: none"> • Chauffer ou cuire dans des pots de verre fermés ou des contenants hermétiques. • Préparer des aliments en conserve dans le micro-onde car des bactéries dangereuses pourraient ne pas être détruites. • Faire frire de la graisse épaisse. • Sécher du bois, des gourdes, des herbes ou des papiers humides.



- 1 Panneau de commande
- 2 Couvercle du guide d'ondes NE PAS ENLEVER
- 3 Aide-mémoire
- 4 Surfaces d'étanchéité du tiroir
- 5 Lumière du tiroir
- 6 Glissières du tiroir

- 7 Évent
- 8 Étiquette des caractéristiques nominales : Ouvrir le tiroir à micro-ondes complètement. L'étiquette est légèrement au-delà de la paroi arrière de la cavité du four à micro-ondes, face vers le haut, sur la surface plate.

Schéma des touches



Les chiffres à côté de l'illustration des touches indiquent les pages où on retrouve la description des caractéristiques et les renseignements concernant l'utilisation.

Avant d'utiliser ce four, prendre la peine de lire intégralement ce mode d'emploi.

Les étapes suivantes doivent être prises avant que les fonctions peuvent être utilisées. Avant d'utiliser le four, procéder ainsi :

1. Brancher la fiche du cordon d'alimentation. Fermer la porte. L'indication ENJOY YOUR MICROWAVE TOUCH CLEAR AND TOUCH CLOCK s'affiche et clignote.
2. Appuyer sur la touche STOP/CLEAR. : L'indication s'affiche.
3. Régler l'horloge.

Réglage de l'horloge

1. Appuyer sur la touche TIMER/CLOCK et sur le chiffre 2.
2. Entrer l'heure correcte de la journée en appuyant sur les touches numériques. Appuyer à nouveau sur la touche TIMER/CLOCK.

Cette horloge est conçue selon un cycle de 12 heures. En cas d'entrée d'une heure non valable, l'indication **ERROR** s'affiche. Appuyer sur la touche STOP/CLEAR et entrer l'heure correcte.

Si l'alimentation électrique du four à micro-ondes est coupée, l'indication ENJOY YOUR MICROWAVE TOUCH CLEAR AND TOUCH CLOCK s'affiche et clignote dès que l'alimentation est rétablie. Si cela se produit durant la cuisson, le programme de cuisson et l'heure de la journée seront effacés. Appuyer sur la touche STOP/CLEAR et remettre l'horloge à l'heure.

Stop/Clear (Arrêt/Annulation)

Appuyer sur la touche STOP/CLEAR pour :

1. Effacer une erreur durant la programmation.
2. Annuler le fonctionnement de la minuterie.
3. Arrêter le four temporairement durant la cuisson.
4. Afficher l'heure.
5. Annuler un programme durant la cuisson, appuyer deux fois.

Ouverture ou fermeture du tiroir

Toujours appuyer sur les touches OPEN ou CLOSE du panneau de commande pour ouvrir ou fermer le tiroir.

Ne pas pousser ou tirer le tiroir à la main, sauf en cas d'urgence, comme une panne de courant. En cas de nécessité, pousser ou tirer doucement.

Temps de cuisson

Le four peut être programmé pour une durée de 99 minutes et 99 secondes. Toujours entrer les secondes après les minutes, même si le nombre de secondes est égal à zéro.

Supposons que l'on veuille cuire pendant cinq minutes à 100 %.

1. Indiquer le temps de cuisson 500.
2. Appuyer sur la touche START/+1 MIN.

Réglage du niveau de puissance

Onze niveaux de puissance sont prévus. Plus le niveau de puissance est faible, plus le temps de cuisson est long, ce qui est conseillé pour les aliments tels que le fromage, le lait ou les viandes qui exigent une cuisson lente. Consulter un livre de cuisine ou de recettes pour chaque cas particulier.

Pour dégivrer pour 5 minutes à 30 %.

1. Entrer la durée de décongélation en composant 5 0 0.
2. Appuyer huit fois sur la touche POWER LEVEL.
- Appuyer sur la touche START/+1 MIN.

APPUYER SUR LA TOUCHE POWER LEVEL JUSQU'À CE QUE LE NIVEAU DE PUISSANCE DÉSIRÉ S'AFFICHE	POURCENTAGE APPROXIMATIF DE LA PUISSANCE	NOMS DONNÉS AUX NIVEAUX DE PUISSANCE
POWER LEVEL x 1	100%	High (élevé)
POWER LEVEL x 2	90%	
POWER LEVEL x 3	80%	
POWER LEVEL x 4	70%	Medium High (mi-élevé)
POWER LEVEL x 5	60%	
POWER LEVEL x 6	50%	Medium (moyen)
POWER LEVEL x 7	40%	
POWER LEVEL x 8	30%	Med Low/Defrost (mi-faible/décongélation)
POWER LEVEL x 9	20%	
POWER LEVEL x 10	10%	Low (faible)
POWER LEVEL x 11	0%	

Cuisson commandée par capteur

Le capteur est un dispositif à semi-conducteur qui détecte la vapeur (humidité) émise par les aliments qui sont chauffés. Il permet de régler les durées de cuisson et la puissance de chauffe en fonction des divers aliments et de leur quantité.

1. Après le branchement du four, attendre 2 minutes avant d'utiliser ce type de cuisson.
 2. S'assurer que l'extérieur du récipient de cuisson et l'intérieur du four sont secs. Essuyer toute trace d'humidité avec un chiffon sec ou un essuie-tout.
 3. Le four fonctionne lorsqu'il s'agit d'aliments conservés à la température de rangement normal. Par exemple, le maïs soufflé devrait être à la température de la pièce.
 4. Toute sélection de cuisson commandée par capteur peut être programmée avec un réglage supérieur ou inférieur à la durée. Voir la page 14.
 5. Si la quantité d'aliments est inférieure ou supérieure à celle du tableau, on doit tenir compte des conseils fournis dans un livre de cuisine pour four à micro-ondes.
 6. Au cours de la première période de cuisson, le nom de l'aliment s'affiche. Ne pas ouvrir la porte du four, ni appuyer sur la touche STOP/CLEAR au cours de cette période, car cela provoquerait l'interruption de la mesure du degré d'humidité. Si ces consignes ne sont pas respectées, un message d'erreur s'affiche et la cuisson commandée par le capteur s'arrête. Pour poursuivre la cuisson, appuyer sur la touche STOP/CLEAR et choisir le temps de cuisson et le niveau de puissance.
- Lorsque le capteur détecte la vapeur émise par les aliments, le temps restant avant la fin de la cuisson est indiqué sur le four. On peut ouvrir la porte lorsque ce temps de cuisson restant s'affiche. À ce moment-là, on peut aussi remuer les aliments et les assaisonner, au goût.
8. Vérifier la cuisson des aliments à la fin de la cuisson commandée par le capteur. Si une prolongation de la cuisson est nécessaire, préciser la durée et le niveau de puissance.
 9. Il y a un conseil de cuisson pour chaque aliment. Appuyer sur la touche Help lorsque l'indicateur HELP est affiché.

Manières de couvrir les aliments

Certains aliments cuisent mieux quand ils sont couverts. Procéder selon les instructions fournies dans le tableau pour ces aliments.

1. Couverture.
2. Pellicule plastique : Utiliser une pellicule plastique recommandée pour les fours à micro-ondes. Couvrir le plat sans serrer et en conservant une ouverture de 1,25 cm (1/2 po) de manière à ce que la vapeur puisse s'échapper. La pellicule plastique ne doit pas être en contact avec les aliments.
3. Papier ciré : Couvrir entièrement le plat et replier le papier sous le plat de manière à ce qu'il soit maintenu. Si le plat est plus grand que la largeur du papier, utiliser deux morceaux de papier placés de manière à ce qu'ils se chevauchent d'au moins 2,5 cm (1 po).

S'assurer, lorsque l'on retire l'élément ayant servi à couvrir les aliments, que la vapeur s'échappe du côté opposé à l'utilisateur.

Sensor Popcorn / Sensor Reheat (Mais Soufflé Au Capteur / Réchauffage Au Capteur)

Vous pouvez faire éclater du maïs ou réchauffer de nombreux aliments sans avoir besoin de calculer le temps de cuisson ou le niveau de puissance.

Appuyer sur SENSOR REHEAT ou SENSOR POPCORN puis sur la touche START/+1 MIN.

Quand le capteur détectera la vapeur émise par les aliments, le temps restant de cuisson/réchauffage s'affichera.

NOTA:

- Il y a 2 choix pour le Sensor Popcorn. Suivre les instructions sur l'afficheur pour choisir l'option désirée.

Tableau de Sensor Popcorn / Sensor Reheat

ALIMENTS	QUANTITÉ	MARCHE À SUIVRE
Sensor Popcorn	1 paquet à la fois	N'utiliser que du maïs soufflé emballé pour le micro-onde. Ne pas tenter de souffler les grains qui n'ont pas éclaté.
	80 - 98 g (2,85 - 3,5 oz) (Régulier / Régulier léger)	Appuyer une fois sur SENSOR POPCORN.
	34 - 50 g (1,2 - 1,75 oz) (Mini / Collation)	Appuyer deux fois sur SENSOR POPCORN.
Sensor Reheat	115 - 900 g (4 - 36 oz)	Mettre dans un plat ou une casserole un peu plus grande que la quantité à réchauffer. Aplatisir si possible. Couvrir avec un couvercle, film plastique ou un papier ciré. Couvrir avec du film plastique ou des couvercles pour de plus grandes quantités d'aliments plus denses comme les ragoûts Si possible, bien remuer après réchauffage. Couvrir à nouveau et laisser reposer 2 à 3 minutes. Les aliments devraient être très chauds. Dans le cas contraire, continuer à chauffer avec une puissance et une durée variables.

Sensor Cook (Cuisson au capteur)

1. Appuyer une fois sur la touche SENSOR COOK.
2. Voir l'aide-mémoire. Choisir un aliment en appuyant sur un chiffre. Ex : Appuyer 5 fois pour des pommes terre au four.
3. Appuyer sur START/+1 MIN.

NOTA:

- Pour réchauffer d'autres aliments ou des aliments en quantités inférieure ou supérieure à celles permises sur le Tableau de Sensor Cook, cuire en mode manuel.

Tableau de Sensor Cook

ALIMENTS	QUANTITÉ	MARCHE À SUIVRE
1. Légumes frais : Rapide		Laver et mettre dans une casserole. Ne pas ajouter d'eau si les légumes viennent d'être lavé. Couvrir avec un couvercle pour obtenir des légumes tendres. Utiliser un film plastique pour obtenir des légumes tendres mais croustillants. Après la cuisson, remuer si possible, Laisser reposer, à couvert, 2 à 5 minutes.
Brocoli	115 - 900 g (0,25 - 2,0 lb)	
Choux de Bruxelles	115 - 900 g (0,25 - 2,0 lb)	
Choux	115 - 900 g (0,25 - 2,0 lb)	
Chou-fleur (en bouquet)	115 - 900 g (0,25 - 2,0 lb)	
Chou-fleur (entier)	1 moyen	
Épinards	115 - 450 g (0,25 - 1,0 lb)	
Courgettes	115 - 900 g (0,25 - 2,0 lb)	
Pommes au four	2 - 4 moyen	
2. Légumes frais : Longue		Mettre dans une casserole. Ajouter 1 à 4 c. à soupe d'eau. Couvrir avec un couvercle pour obtenir des légumes tendres. Utiliser un film plastique pour obtenir des légumes tendres mais croustillants. Après la cuisson, remuer si possible, Laisser reposer, à couvert, 2 à 5 minutes.
Carottes, tranchées	115 - 675 g (0,25 - 1,5 lb)	
Maïs en épi	2 - 4	
Haricots verts	115 - 675 g (0,25 - 1,5 lb)	
Courge d'hiver :		
en dés	115 - 675 g (0,25 - 1,5 lb)	
en moitié	1 - 2	

Tableau de Sensor Cook

ALIMENTS	QUANTITÉ	MARCHE À SUIVRE															
3. Légumes congelés	115 - 567 g (0,25 - 1,25 lb)	Ne pas ajouter d'eau. Couvrir avec un couvercle ou un film plastique. Après la cuisson, remuer et laisser reposer, à couvert, 3 minutes.															
4. Plats congelés	112g - 1kg (6 - 17 oz)	Utiliser cette touche pour les plats prêt-à-servir congelés. Cela donnera des résultats satisfaisants avec la plupart des marques. Peut-être voudrez-vous en essayer plusieurs et choisir votre préféré. Retirer le plat de l'emballage extérieur et suivre les indications pour le recouvrement du plat. Après la cuisson, laisser reposer, à couvert, 1 à 3 minutes.															
5. Pommes terre au four 6. Patates douces	1 - 6 moyen 1 - 6 moyen	Les piquer. Les placer sur un essuie-tout au fond du tiroir. Après la cuisson, les retirer du four, les envelopper dans une feuille d'aluminium et les laisser reposer pendant 5 à 10 minutes.															
7. Viande hachée	115 - 900 g (0,25 - 2,0 lb)	Utiliser ce réglage pour cuire du boeuf ou de la dinde hachés en fricadelles ou en cocotte avec d'autres ingrédients. Placer les fricadelles sur une grille transparente aux micro-ondes et couvrir de papier ciré. Placer la viande hachée dans une cocotte et couvrir avec du papier ciré ou du film plastique. Quand le four s'arrête, retourner les fricadelles ou mélanger la viande dans la cocotte pour séparer les gros morceaux. Recouvrir et appuyer sur START/+1 MIN. Après la cuisson, laisser reposer, à couvert, 2 à 3 minutes.															
8. Poisson/Fruits de mer	115 - 900 g (0,25 - 2,0 lb)	Disposer en anneau autour d'un plat en verre peu profond (rouler le filet en mettant les bords en dessous). Couvrir avec du film plastique ventilé. Après la cuisson, laisser reposer, à couvert, 3 minutes.															
9. Riz 10. Riz brun	95 - 380 g (0,5 - 2,0 tasses) 95 - 380 g (0,5 - 2,0 tasses)	Placer le riz dans une cocotte profonde et ajouter le double d'eau. Couvrir avec un couvercle ou un film plastique. Après la cuisson, remuer, couvrir et laisser reposer de 3 à 5 minutes ou jusqu'à ce que tout le liquide ait été absorbé. <table border="1" data-bbox="792 1222 1458 1402"> <thead> <tr> <th>Riz</th> <th>Eau</th> <th>Taille de la cocotte</th> </tr> </thead> <tbody> <tr> <td>95 g (0,5 tasse)</td> <td>240 ml (1 tasse)</td> <td>1,5 pintes</td> </tr> <tr> <td>190 g (1 tasse)</td> <td>480 ml (2 tasses)</td> <td>2 pintes</td> </tr> <tr> <td>285 g (1,5 tasses)</td> <td>720 ml (3 tasses)</td> <td>2,5 pintes ou 3 pintes</td> </tr> <tr> <td>380 g (2 tasses)</td> <td>1 L (4 tasses)</td> <td>3 pintes ou plus</td> </tr> </tbody> </table>	Riz	Eau	Taille de la cocotte	95 g (0,5 tasse)	240 ml (1 tasse)	1,5 pintes	190 g (1 tasse)	480 ml (2 tasses)	2 pintes	285 g (1,5 tasses)	720 ml (3 tasses)	2,5 pintes ou 3 pintes	380 g (2 tasses)	1 L (4 tasses)	3 pintes ou plus
Riz	Eau	Taille de la cocotte															
95 g (0,5 tasse)	240 ml (1 tasse)	1,5 pintes															
190 g (1 tasse)	480 ml (2 tasses)	2 pintes															
285 g (1,5 tasses)	720 ml (3 tasses)	2,5 pintes ou 3 pintes															
380 g (2 tasses)	1 L (4 tasses)	3 pintes ou plus															

Defrost (Décongélation)

Utiliser cette caractéristique pour décongeler les aliments indiqués dans le Tableau de Defrost.

1. Appuyer sur la touche DEFROST.
2. Voir l'aide-mémoire. Choisir l'aliment désirée en appuyant sur un chiffre. Ex : Appuyer sur 2 pour les biftecks ou les côtelettes.
3. Entrer le poids en appuyant sur les chiffres.
4. Appuyer sur la touche START/+1 MIN.
Le four d'arrêtera pour que vous puissiez inspecter l'aliment.
5. Après la première étape, ouvrir le Drawer Microwave. Retourner le bifteck et masquer les parties chaudes. Fermer le tiroir. Appuyer sur START/+1 MIN.
6. Après la deuxième étape, ouvrir le Drawer Microwave. Masquer tout les parties chaudes. Fermer le micro-onde tiroir. Appuyer sur START/+1 MIN.

7. À la fin du cycle de décongélation, masquer et laisser reposer comme indiqué dans le tableau ci-dessous.

NOTA:

- Defrost peut être programmé avec réglage de durée en plus ou en moins. Voir page 15.
- Pour décongeler d'autres aliments dont le poids est supérieur ou inférieur à celui autorisé au Tableau de Defrost, voir la Décongélation Manuelle.
- Inspecter les aliments au signal du four. Après l'étape finale, de petites sections peuvent être encore gelées. Laisser reposer pour que le dégel se poursuive. Ne pas décongeler avant que tous les cristaux de glace soient fondus.
- Le masquage empêche que la cuisson ait lieu avant que le centre de l'aliment ne soit dégelé. Utiliser de petites bandes souples de papier d'aluminium pour couvrir les bords et les parties les moins épaisses de l'aliment.

Tableau de Defrost		
ALIMENTS	QUANTITÉ	MARCHE À SUIVRE
1. Viande hachée	225 à 900 g (0,5 à 2,0 lb)	Retirer les parties dégelées après chaque signal sonore. Laisser reposer, à couvert, 5 à 10 minutes.
2. Biftecks/ Côtelettes	225 g à 1.4 kg (0,5 à 3,0 lb)	Après chaque signal sonore, changer la disposition des aliments et masquer les parties chaudes ou dégelées au moyen de bandes de papier d'aluminium. Retirer la viande ou le poisson presque entièrement dégelés. Laisser reposer, à couvert, 10 à 20 minutes.
3. Poulet désossé	225 à 900 g (0,5 à 2,0 lb)	Après chaque signal sonore, s'il y a des morceaux chauds ou dégelés, changer la disposition ou retirer. Laisser reposer, à couvert, 10 à 20 minutes.
4. Poulet avec les os	225 g à 1.4 kg (0,5 à 3,0 lb)	Après chaque signal sonore, changer la disposition ou retirer les morceaux. s'il sont chauds ou dégelés Laisser reposer, à couvert, 10 à 20 minutes.
5. Rôti	1 à 1,8 kg (2,0 à 4,0 lb)	Commencer par dégivrer, avec les parties grasses en dessous. Après chaque étape, retourner le rôti et recouvrir les parties chaudes de morceaux de feuille d'aluminium. Laisser reposer, à couvert, pour 30 à 60 minutes.

Décongélation Manuelle

Si les aliments que vous voulez décongeler ne sont pas dans le Tableau de Defrost, ou sont en quantité supérieure ou inférieure à celle de la colonne QUANTITÉ du Tableau de Defrost, vous devrez décongeler en mode manuel.

Vous pouvez décongeler tout aliment, cru ou déjà cuit, à l'aide du niveau de puissance de 30 %. Suivre exactement la marche suivre en 3 étapes sous Le réglage du niveau de puissance à la page 9. Estimer la durée de décongélation et appuyer sur la touche POWER LEVEL huit fois pour une puissance de 30%.

Pour des aliments crus ou déjà cuits, la règle d'or est d'environ 4 minutes par livre. Par exemple, 1 livre de spaghetti dégèlera en 4 minutes.

Toujours arrêter le four périodiquement pour séparer et retirer les portions dégelées. Si les aliments ne sont pas complètement dégelés à la fin du temps de décongélation estimé, programmer le four en incréments d'1 minute, au niveau de puissance de 30 % jusqu'à décongélation complète.

Quand vous utilisez des contenants plastique sortant du congélateur, décongeler seulement assez longtemps pour retirer les aliments du plastique et les mettre dans un plat pour micro-onde.

Reheat (Réchauffage)

Reheat calculera automatiquement le temps de réchauffage approprié et la puissance du four à microondes pour les aliments énumérés dans le tableau suivant.

1. Appuyer une fois sur la touche REHEAT.
2. Voir l'aide-mémoire Choisir un aliment en appuyant sur un chiffre. Ex : Appuyer sur 2 pour des petits pains ou des muffins congelés.

3. Appuyer sur un chiffre pour choisir la quantité. Ex : Appuyer sur 2 pour 2 pains ou muffins.
4. Appuyer sur START/+1 MIN.

NOTA:

- Reheat peut être programmé avec réglage de durée en plus ou en moins. Voir page 15.
- Pour réchauffer d'autres aliments ou des aliments en quantités inférieure ou supérieure à celle permise sur le Tableau de Reheat, réchauffer en mode manuel.

Tableau de Reheat

ALIMENTS	QUANTITÉ	MARCHE À SUIVRE
1. Petits pains frais/ muffins	1 - 8 pièces	Utiliser cette touche pour décongeler petits pains, muffins, biscuits, baguels, etc. il faut compter les grosses pièces comme 2 ou 3 de taille régulière. Disposer sur une assiette; couvrir avec un essuie-tout. Pour des petits pains et des muffins réfrigérés, il peut être nécessaire de doubler la quantité pour que la portion soit à la température appropriée. Par exemple, entrer la quantité 2 pour 1 petit pain réfrigéré.
2. Pains ou muffins congelés	1 - 8 pièces	Utiliser cette touche pour décongeler petits pains, muffins, biscuits, baguels, etc. il faut compter les grosses pièces comme 2 ou 3 de taille régulière. Disposer sur une assiette; couvrir avec un essuie-tout.

Beverage Center (Centre de boissons)

Beverage Center vous permet de réchauffer le café ou le thé pour réaliser une température plus convenable à la consommation, ou pour préparer du café ou du thé instantané.

1. Appuyez une fois sur Beverage Center.
2. Regardez l'étiquette de Menu. Choisissez la sélection voulue en appuyant sur le pavé numérique. Ex: Appuyez sur le 2 pour préparer du café.

3. Répétez le processus en appuyant sur la même touche pour sélectionner la quantité. Ex: Appuyez 2 fois de plus le numéro 2 pour 2 tasses de café.
4. Appuyer sur START/+1 MIN.

NOTA:

- Réchauffer peut être programmé avec un réglage de durée en plus ou en moins. Voir page 15.
- Si vous essayez de saisir un chiffre en dessous ou en dessus de la quantité permise, un message d'erreur s'affichera.

Tableau de Beverage Center

ALIMENTS	QUANTITÉ	MARCHE À SUIVRE
1. Reheat Beverage	.5 - 2 tasses (125 - 500 ml)	Ce réglage sert à remettre une boisson chaude refroidie à une température convenable à la consommation. Appuyer sur la touche numéro 1 pour augmenter de 0,5 tasses par pression. Remuer après la cuisson.
2. Hot Water	1 - 6 tasses (250 - 1500 ml)	Utiliser ce réglage pour chauffer de l'EAU FROIDE DE ROBINET vers une température juste en dessous du point d'ébullition, pour préparer le café ou le thé instantané. Appuyer sur la touche numéro 2 pour augmenter de 1 tasse par pression. Remuer bien le liquide après la cuisson pour éviter toute «éruption» éventuelle.

Melt/Soften/Warm (Fondre/Ramollir/Chauffer)

Melt, Soften et Warm calculera automatiquement le temps de réchauffement approprié et la puissance du four à micro-ondes pour faire fondre, ramollir et réchauffer les aliments du tableau suivant.

1. Appuyer une fois sur Melt.
2. Voir l'aide-mémoire. Choisir un aliment en appuyant sur un chiffre. Ex : Appuyer sur 2 pour chocolat.
3. Répéter la pression sur la même touche pour choisir la quantité. Ex : Appuyer sur 2 deux fois de plus pour 1 carré.
4. Appuyer sur START/+1 MIN.

NOTA:

- Melt, Soften et Warm peut être programmé avec réglage de durée en plus ou en moins. Voir page 15.
- Pour faire fondre, faire ramollir ou faire chauffer doucement un autre aliment ou d'autres aliments que ceux mentionnés ci-avant, ou pour des quantités en dessous ou en dessous de la quantité indiquée au Tableau de Melt/Soften/Warm, faire fonctionner manuellement l'appareil.

Tableau de Melt/Soften/Warm		
ALIMENTS	QUANTITÉ	MARCHE À SUIVRE
Melt (Fondre)		Utiliser une tasse à mesurer en pyrex. Couvrir avec du film plastique ventilé.
1. Beurre	30 ml (2 c. à soupe) 125 ml (1/2 tasse)	Après une pression sur MELT, appuyer sur 1 deux fois pour 2 c. à soupe. Après une pression sur MELT, appuyer sur 1 trois fois pour 1/2 tasse.
2. Chocolat	250 ml (1 tasse de brisures) 1 carré	Après une pression sur MELT, appuyer sur 2 deux fois pour 1 tasse de brisures. Après une pression sur MELT, appuyer sur 2 trois fois pour 1 carré.
Soften (Ramollir)		NE COUVREZ PAS.
1. Crème glacée	0,5 L (1 chopine) 2 L (1/2 litres)	Après une pression sur SOFTEN, appuyer sur 1 deux fois pour 1 chopine. Après une pression sur SOFTEN, appuyer sur 1 trois fois pour 1/2 litres.
2. Fromage à la crème	84 g (3 oz) 184 g (8 oz)	Après une pression sur SOFTEN, appuyer sur 2 deux fois pour 3 oz. Après une pression sur SOFTEN, appuyer sur 2 trois fois pour 8 oz.
Warm (Chauffer)		Utiliser une tasse à mesurer en pyrex. NE COUVREZ PAS.
1. Sirop	63 ml (1/4 tasse) 125 ml (1/2 tasse)	Après une pression sur WARM, appuyer sur 1 deux fois pour 1/4 tasse. Après une pression sur WARM, appuyer sur 1 trois fois pour 1/2 tasse.
2. Garniture de dessert	63 ml (1/4 tasse) 125 ml (1/2 tasse)	Après une pression sur WARM, appuyer sur 2 deux fois pour 1/4 tasse. Après une pression sur WARM, appuyer sur 2 trois fois pour 1/2 tasse.

Keep Warm (Réchaud)

Keep Warm vous permet de garder les aliments au chaud pendant 30 minutes.

Usage direct

1. Appuyer sur la touche Keep Warm.
2. Entrer la durée désirée en appuyant sur les chiffres. Pour entrer 30 minutes appuyer sur 3000.
3. Appuyer sur START/+1 MIN.

Le four se mettra en marche. L'afficheur indiquera 30:00 et le compte à rebours. KEEP WARM sera affiché pendant le compte à rebours.

Avec cuisson en mode manuel

1. Entrer le temps de cuisson et le niveau de puissance.
2. Appuyer sur la touche KEEP WARM.
3. Entrer la durée de réchauffage désirée jusqu'à 30 minutes.
4. Appuyer sur START/+1 MIN.

L'opération démarrera. Quand la durée de cuisson est terminée, une longue tonalité résonnera et Keep Warm démarrera. L'afficheur indiquera le compte à rebours KEEP WARM sera affiché de manière intermittente pendant le compte à rebours.

NOTA:

- Si vous essayez d'entrer plus de 30 minutes pour Keep Warm, un message d'erreur s'affichera.
- Keep Warm ne peut pas être programmé avec Sensor Popcorn, Sensor Reheat, Sensor Cook, Defrost ou Reheat.

Cuisson À Séquences Multiples

Votre micro-onde tiroir peut être programmé pour 4 séquences automatiques de cuisson, passant d'un réglage de puissance à l'autre automatiquement.

Parfois, les conseils de cuisson suggèrent de commencer à un certain niveau de puissance et de poursuivre à un autre niveau. Votre micro-onde tiroir peut le faire automatiquement.

1. Entrer d'abord le temps de cuisson. Puis appuyer sur la touche POWER LEVEL pour la cuisson à 100% ou appuyer de nouveau sur POWER LEVEL pour un niveau plus faible.
2. Entrer le second temps de cuisson. Appuyer ré sur la touche POWER LEVEL jusqu'au niveau de puissance désiré. Vous pouvez faire cette marche à suivre jusqu'à 4 fois.
3. Appuyer sur START/+1 MIN.

NOTA:

- HIGH sera affiché si on appuie une fois sur la touche POWER LEVEL.

- Si le niveau 100 % doit être utilisé au cours de la dernière séquence, il n'est pas nécessaire d'appuyer sur la touche POWER LEVEL.
- Si vous voulez savoir le niveau de puissance, appuyer simplement sur la touche POWER LEVEL. Aussi long temps que votre doigt appuie sur la touche POWER LEVEL, le niveau de puissance sera affiché.
- Keep Warm peut être programmé même si 4 séquences de cuisson ont été réglées.

+1 Min

+1 Min permet de faire cuire à 100% pour une minute à l'aide d'une seule pression sur la touche +1 Min. On peut également prolonger le temps de cuisson par intervalles de 1 minute en appuyant autant de fois que de minutes désirées sur la touche +1 Min pendant une cuisson manuelle.

NOTA:

- Pour utiliser +1 Min, appuyez sur la touche en les 3 minutes suivant la cuisson, la fermeture de la porte ou la pression sur la touche STOP/CLEAR.
- +1 Min ne peut pas être utilisé avec les Réglages à capteur, Reheat ou Defrost.

Réglage de durée en plus ou en moins

Si vous trouvez que vous préférez les réglages de Sensor, Reheat or Defrost un peu plus forts, appuyer une fois sur la touche POWER LEVEL après avoir appuyé sur les touches de votre choix. MORE s'affichera.

Pour des réglages un peu moins forts, appuyer deux fois sur la touche POWER LEVEL après avoir appuyé sur les touches de votre choix. LESS s'affichera.

Help (Aide - sur l'affichage)

Chaque réglage de Sensor Reheat, Sensor Cook, Sensor Popcorn, Keep Warm, Reheat et Defrosting s'accompagne d'une astuce. Si vous voulez accéder à ces astuces, appuyez sur SETUP/HELP lorsque le témoin HELP est allumé à l'affichage interactif.

Control lock (Verrouillage des commandes)

La fonction de Control Lock prévient une utilisation non autorisée du tiroir par les enfants. On peut régler le Four Drawer Microwave de manière à verrouiller ou à désactiver le tableau de commandes.

Pour verrouiller

Appuyez sur la touche CONTROL LOCK pendant 3 secondes. LOCK ON s'affiche.

Pour ouvrir

Appuyez sur la touche CONTROL LOCK pendant 3 secondes. LOCK OFF s'affiche.

Le Control Lock est annulée lorsque l'alimentation électrique de votre four est interrompue. Réglez le verrouillage des commandes à nouveau lorsque l'alimentation du four est rétablie.

Setup/Help (Réglages/Aide)

En cas de coupure ou de panne de courant, ENJOY YOUR MICROWAVE TOUCH CLEAR AND TOUCH CLOCK s'affichera par intervalles une fois que le courant sera rétabli. Si cela se passe, votre option Setup/Help sera effacée. Appuyez sur la touche STOP/CLEAR pour régler de nouveau.

Élimination de signal sonore

En fin d'une cuisson minutée, des signaux sonores se font entendre. Si vous préférez ne pas entendre ces signaux sonores, vous pouvez les désactiver.

Pour désactiver le signal

1. Appuyez sur la touche SETUP/HELP.
2. Appuyez encore sur la touche SETUP/HELP.
3. Appuyez sur la touche START/+1 MIN. SOUND OFF s'affiche.

Pour activer le signal de nouveau

1. Appuyez sur la touche SETUP/HELP.
2. Appuyez encore sur la touche SETUP/HELP.
3. Appuyez sur la touche START/+1 MIN. SOUND ON s'affiche.

Rappel fin de cuisson

À la fin de la cuisson minutée, le micro-ondes émettra un signal sonore toutes les 10 secondes pour la première minute, puis toutes les trois 3 minutes jusqu'à ce que l'on appuie sur la touche STOP/CLEAR à zéro, pour jusqu'une heure.

Pour désactiver le rappel

1. Appuyez trois fois sur la touche SETUP/HELP.
2. Appuyez sur la touche START/+1 MIN.

To turn reminder signal back on

1. Appuyez trois fois sur la touche SETUP/HELP.
2. Appuyez sur la touche START/+1 MIN.

Mise en marche automatique

Si vous voulez programmer le Four Drawer Microwave pour se mettre en marche automatiquement à une heure spécifique, procédez comme suit.

1. Appuyez quatre fois sur la touche SETUP/HELP.
2. Appuyez sur la touche START/+1 MIN.
3. Entrez l'heure de départ.
4. Appuyez sur la touche TIMER/CLOCK.
5. Entrez le temps de cuisson via les touches numériques. Appuyez plusieurs fois sur la touche POWER LEVEL jusqu'à ce que l'allure voulue s'affiche.
6. Appuyez sur la touche START/+1 MIN.

Mode de démonstration

Pour sélectionner le mode de démonstration

1. Appuyez cinq fois sur la touche SETUP/HELP.
2. Maintenez une pression sur la touche START/+1 MIN pour 3 secondes. DEMO ON s'affiche.

Pour annuler le mode de démonstration

1. Appuyez cinq fois sur la touche SETUP/HELP.
2. Appuyez sur la touche START/+1 MIN. DEMO OFF s'affiche.

NOTA:

- En mode de démonstration, le Four Drawer Microwave n'émet pas d'énergie pour la cuisson ou le réchauffage.
- Le compte à rebours se fait rapidement.

Timer (Minuteur)

1. Appuyez sur la touche TIMER/CLOCK et sur la touche numéro 1.
2. Entrez le temps voulu.
- 3 Appuyez de nouveau sur la touche TIMER/CLOCK. Pour annuler le minuteur, appuyez sur STOP/CLEAR.

Mode veille

Cette Four Drawer Microwave se met en mode veille après une période d'inactivité. Le rétro-éclairage de l'écran dim automatiquement après 3 minutes si l'unité n'a pas été appliqué. Si l'affichage est en mode veille, il suffit de toucher le panneau de commande ou pour ouvrir / fermer la porte pour retourner le rétroéclairage à la luminosité maximale.

Les pièces d'équipement fonctionnent mieux et durent plus longtemps quand elles sont entretenues correctement et tenues propres. Le matériel de cuisson ne fait pas exception. Il faut tenir propre votre four à micro-ondes et l'entretenir correctement.

Débrancher le cordon d'alimentation avant de nettoyer ou laisser la porte ouverte pour désactiver le four lors du nettoyage.

Extérieur

La surface extérieure est recouverte d'une couche de peinture. Nettoyer la surface extérieure à l'eau et au savon; rincer et sécher au moyen d'un chiffon doux. Ne pas utiliser de produits chimiques de nettoyage ou de produits abrasifs.

Surface en acier inoxydable

Il faut essuyer souvent l'extérieur avec un chiffon doux humide et le frotter avec un chiffon doux sec pour lui garder son lustre. Toujours essuyer dans le sens du grain. Il existe aussi de nombreux produits conçus spécialement pour nettoyer et faire briller l'extérieur en inox du four. Nous recommandons d'appliquer le nettoyant sur un chiffon doux et de s'en servir ensuite sur l'inox plutôt que de le vaporiser directement dessus. Suivre à la lettre les instructions de l'emballage.

Avant du tiroir

Essuyer les deux surfaces du hublot à l'aide d'un chiffon humide pour enlever les éclaboussures. Il est plus facile de nettoyer les parties métalliques si on les essuie fréquemment avec un chiffon humide. Éviter tout emploi de produits nettoyants vaporisés ou abrasifs car ils peuvent tacher, strier ou ternir la surface de la porte.

Tableau de commandes

Si désiré, les touches peuvent être désactivées avant le nettoyage. Voir les renseignements sur le verrouillage des commandes à la page 15 de ce manuel. Essuyer le tableau de commande avec un chiffon humecté d'eau. Sécher avec un chiffon doux. N'utiliser ni poudre à récurer ni produits chimiques de nettoyage. Refermer la porte et suivre les instructions de la page 15 pour déverrouiller les commandes. Appuyer sur STOP/CLEAR.

Intérieur

Le nettoyage est facile car les parois intérieures n'absorbent pas de chaleur de telle sorte que les éclaboussures ne cuisent pas. Pour nettoyer les parois intérieures, y compris les surfaces d'étanchéité du tiroir, essuyer avec un chiffon doux humide. **NE PAS UTILISER DE PRODUITS ABRASIFS OU DE TAMPONS À RÉCURER.** Pour les taches tenaces, utiliser du savon doux et nettoyer avec un chiffon doux humide. Ne pas utiliser de nettoyants chimiques pour les fours.

Glissières du Micro-onde tiroir

Nettoyer les glissières du tiroir des miettes de nourriture. Les essuyer avec un chiffon doux et sec pour que le tiroir s'ouvre et se ferme en douceur.

Couvercle du guide d'ondes

ATTENTION Tenir propre le couvercle du guide d'ondes pour assurer un bon fonctionnement du four. Essuyer immédiatement et délicatement avec un chiffon humide toute éclaboussure d'aliments sur la surface du couvercle. Une accumulation d'éclaboussures peut surchauffer et causer de la fumée ou même s'enflammer. Ne pas retirer le couvercle du guide d'ondes.

Désodorisation

Il peut arriver qu'une odeur de cuisson persiste dans le tiroir. Pour l'éliminer, mettre dans un récipient pouvant contenir 2 tasses, 1 tasse d'eau, le zeste et le jus d'un citron, et plusieurs clous de girofle entiers. Faire bouillir pendant plusieurs minutes à 100 %. Laisser reposer dans le micro-onde tiroir jusqu'à ce qu'il soit froid. Essuyer l'intérieur avec un chiffon doux.

Pour éviter des pertes de temps et des dépenses inutiles, veuillez effectuer les vérifications suivantes avant d'appeler un technicien.

PROBLÈME	CAUSE POSSIBLE	SOLUTION
1 Une pièce ou tout le Drawer Microwave ne fonctionne pas.	<ul style="list-style-type: none"> • La fiche du Four Drawer Microwave n'est pas complètement branchée dans la prise murale. • Panne de courant. • Le fusible/le disjoncteur est défectueux. • Le Four Drawer Microwave est en mode de démonstration. 	<ul style="list-style-type: none"> • Assurez-vous que la fiche est bien branchée dans la prise murale. • Vérifiez les lumières de la maison pour voir si elles marchent. Téléphonnez à votre service d'électricité local pour demander du service. • Changez le fusible ou remettez le disjoncteur. • Consultez la page 16 pour en savoir plus sur comment annuler le mode de démonstration.
2. L'aliment dans le Four Drawer Microwave ne se chauffe pas.	<ul style="list-style-type: none"> • L'appareil n'est pas branché. • Mauvais réglage des commandes du tiroir. • Le tiroir est en mode de démonstration. 	<ul style="list-style-type: none"> • Consultez la SOLUTION au PROBLÈME 1. • Vérifiez si les commandes sont réglées comme il faut. • Consultez la page 16.
3. La lampe du Four Drawer Microwave ne fonctionne pas.	<ul style="list-style-type: none"> • L'ampoule n'est pas bien serrée en place, ou elle est épuisée. 	<ul style="list-style-type: none"> • Téléphonnez à un technicien.
4. Les touches ne fonctionnent pas.	<ul style="list-style-type: none"> • Le verrouillage des commandes est activé. 	<ul style="list-style-type: none"> • Consultez la page 15 pour en savoir plus sur comment désactiver le verrouillage.
5 L'afficheur clignote.	<ul style="list-style-type: none"> • Panne de courant. 	<ul style="list-style-type: none"> • Appuyez sur CLEAR (Remise à zéro) et réglez l'heure. Si le Four Drawer Microwave fonctionnait, il faut programmer la cuisson de nouveau.
6. De la vapeur sort de la sortie d'air	<ul style="list-style-type: none"> • Pendant l'opération du four à microondes, il est normal que de la vapeur sorte du côté droit de la sortie d'air. 	

Cuisson	
Tables de cuisson sans fil	0,2
Hottes encastrables	0,2
Dessus de cuisinières	0,2
Micro-ondes	0,1
Cuisinières autoportantes	0,2
Nettoyage	
Lave-vaisselle	0,2
Réfrigération	
Appareils encastrés pour la réfrigération et le vin (série 700)	0,2,5 ,12p
Tout autre appareil de réfrigération	0,1,5 p
Ventilation	
Hotte aspirante	0,2

Comme preuve d'achat valide sous garantie, veuillez conserver la facture d'achat originale et le bon de livraison.

Pour obtenir le service en vertu de ces garanties, vous devez :

1. Contacter le service après-vente autorisé de Fulgor-Milano
 - a. Pour toute l'Amérique du Nord : le formulaire de contact se trouve en ligne au <http://www.thevettagroup.com/servicerequest.a5w>
 - b. Pour les États-Unis, communiquez par courriel au fulgor@appliance-support.com ou par téléphone au numéro sans frais 1-855-4-fulgor (1-855-438-5467)
 - c. Pour l'est du Canada (depuis l'Ontario vers l'est), communiquez par courriel au service@distinctive-online.com ou par téléphone au numéro sans frais 1-800-361-0799
 - d. Pour l'ouest du Canada (du Manitoba vers l'ouest), communiquez par courriel au service@pacificspecialtybrands.com ou par téléphone au numéro sans frais 1-877-430-5253 poste 106
2. Veuillez fournir une copie de votre reçu d'achat original ainsi que le numéro de modèle et le numéro de série du produit.
3. Veuillez donner à Fulgor Milano une possibilité raisonnable d'enquêter sur la réclamation avant que le Produit ou toute composante du Produit ne soient modifiés ou retirés.

Catégorie de garantie	Description de la protection de garantie
0	Les portes, poignées, vitres, cadres de produits, rayonnages et surfaces intérieures et extérieures sont couverts par une garantie limitée de 30 jours sur les pièces seulement pour les défauts esthétiques dont l'origine est prouvée à l'usine. Il incombe au propriétaire d'inspecter le produit et de déclarer toute réclamation dans ce délai de 30 jours.
1	1 an pièces et main-d'œuvre
2	2 ans pièces et main-d'œuvre
5	5 ans pièces et main-d'œuvre sur les composantes étanches suivantes uniquement : compresseur, condenseur, évaporateur, sécheur et tuyau de raccordement
5p	5 ans pièces seulement sur les composantes étanches suivantes uniquement : compresseur, condenseur, évaporateur, sécheur et tuyau de raccordement
12p	12 ans pièces seulement sur les composantes étanches suivantes uniquement : compresseur, condenseur, évaporateur, sécheur et tuyau de raccordement

CONDITIONS DE CETTE GARANTIE

Toutes les garanties en cours pour chaque catégorie s'appliquent simultanément. Conformément à la catégorie de la garantie en cours, la garantie Fulgor Milano couvre toutes les pièces et/ou la main-d'œuvre pour réparer ou remplacer, dans des conditions normales d'utilisation résidentielle, toute pièce du produit s'avérant défectueuse en raison d'un défaut de matériau ou de fabrication résultant du procédé de fabrication original.

Ces garanties ne sont valides que dans les États et pays contigus des États-Unis, y compris le District de Columbia, l'Alaska et le Canada. Ces garanties ne s'appliquent qu'à l'acheteur initial et ne sont pas transférables. Tous les services fournis par Fulgor Milano dans le cadre de la garantie en cours doivent être effectués par un réparateur agréé Fulgor Milano, sauf avis contraire indiqué par écrit de Fulgor Milano. Le service sera offert pendant les heures normales d'ouverture de chaque région. Ces garanties ne s'appliquent qu'aux produits achetés auprès d'un concessionnaire autorisé par l'intermédiaire d'une chaîne de distribution approuvée et qui sont installés pour un usage résidentiel normal. Elles ne s'appliquent pas à un usage commercial ou à un usage sur yacht. Ces garanties ne couvrent que le service effectué sur le lieu d'installation du produit et ne couvrent pas les coûts associés à la réparation hors site, sauf autorisation expresse de Fulgor Milano, ni les frais de déplacement associés à la fourniture du service dans des emplacements éloignés. Les emplacements éloignés sont définis comme étant situés à l'extérieur d'un rayon de 80 kilomètres (50 milles) de tout marchand authentique solide. Ces garanties ne couvrent pas les pièces ou la main-d'œuvre nécessaires pour corriger tout défaut causé par la négligence, le transport, la livraison, une mauvaise tension ou un accident, ou une utilisation, un entretien, une installation, un service ou une réparation inadéquats, y compris, mais sans s'y limiter, un enlèvement et une réinstallation incorrects de toute composante du produit (c'est-à-dire l'enlèvement des poignées pour passer les portes) avant ou pendant la livraison/installation du produit. Les solutions décrites ici sont les seules que Fulgor Milano fournira, soit en vertu de ces garanties, soit en vertu de toute garantie découlant de l'application de la loi. Fulgor Milano ne sera pas responsable de la perte de contenu due à la détérioration, au gel ou au brûlage, ni des dommages liés aux armoires, matériaux de construction ou matériaux de finition environnants, tels que, sans s'y limiter, les revêtements de sol. Fulgor Milano ne sera pas responsable des dommages consécutifs ou accessoires découlant de la violation de ces garanties ou de toute autre garantie, qu'elle soit expresse, implicite ou légale.

La garantie ne sera valide et effective que sur présentation du document indiquant la date d'achat de l'appareil, et plus particulièrement de la facture correspondante, de la preuve d'achat ou d'un document équivalent indiquant le nom du vendeur, la date de livraison et les données d'identification de l'appareil (comme le numéro de modèle et le numéro de série). Dans le cas où un nouveau produit est inclus dans l'achat d'une nouvelle construction résidentielle, ces garanties s'appliquent au résident original de l'emplacement contenant le produit Fulgor Milano et la couverture de garantie débutera à la date d'occupation de la résidence (preuve d'occupation requise) jusqu'à six mois additionnels au maximum à partir de la date de livraison du produit par l'entreprise de promotion du distributeur ou du concessionnaire. Cette extension ne s'applique pas à la garantie esthétique de catégorie 0.

Ces garanties ne sont valides que si la différence entre la date d'achat et la date de production du produit est inférieure à dix-huit mois. Tout produit qui a été entreposé pour une période supérieure à cette période ne sera couvert que par la garantie B-Stock de Fulgor Milano.

Pendant la période couverte par la garantie, Fulgor Milano se réserve le droit d'évaluer la possibilité de réparer l'appareil ou, à sa discrétion, de proposer de le remplacer par un produit Fulgor Milano aux caractéristiques et fonctionnalités équivalentes, mais ne peut garantir que le modèle exact sera toujours disponible. Fulgor Milano se réserve le droit de réviser ces garanties à tout moment.

Certains États n'autorisent pas l'exclusion ni la restriction des dommages indirects ou accessoires, par conséquent, les restrictions ou exclusions précédentes peuvent ne pas s'appliquer. Ces garanties vous donnent des droits légaux spécifiques et vous pouvez également avoir d'autres droits qui varient d'un État à l'autre.

*Les ampoules de remplacement/DEL ne sont couvertes que par les clauses de la garantie esthétique de 30 jours de catégorie 0.

FULGOR
MILANO

YOUR LIFE | OUR PASSION

www.fulgor-milano.com/us

TINSKB308MRR0 _ 10-19-20