

# BUILT-IN WINE CELLAR 24"

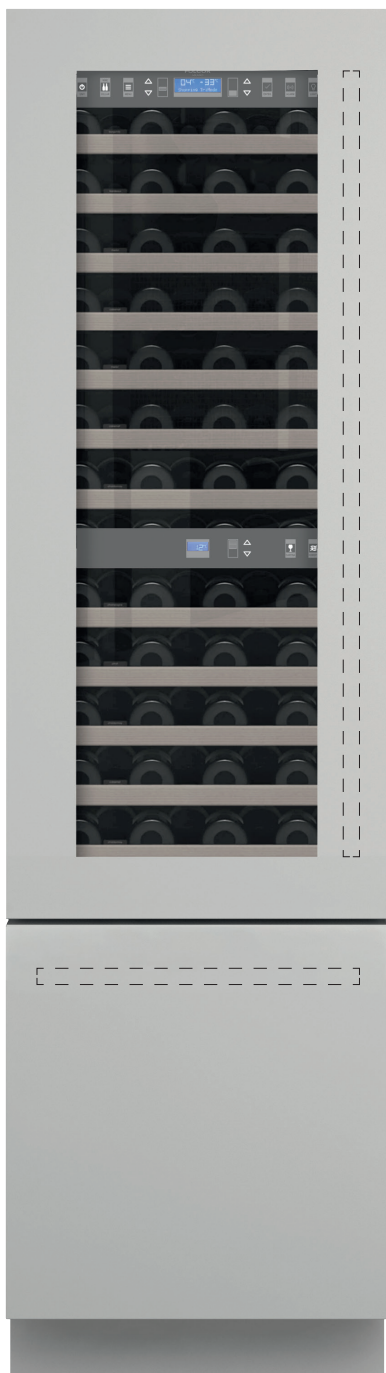


CODE ID

**F7IBW2401-R** (RIGHT HINGE)

CODE ID

**F7IBW2401-L** (LEFT HINGE)



RIGHT HINGE



LEFT HINGE



Deep-freezing



Hot air ventilation



Rapid Deep Freezing



LED lighting



Noise Level 41 (dB)



Integrated Installation



Holiday Mode



Triple Pane Glass



54 Bottles Capacity



## SPECIFICATIONS

### WINE CELLAR

Overlay Panel  
Cave Storage Compartment,  
Natural Wood Shelves, for 36 bottles  
Wine Celler Compartment,  
Natural Wood Shelves, for 18 bottles  
TriplePlay Refrigeration  
Total No Frost  
LED Lighting  
Brilliant white aluminium interior  
Flexzone Bottom Drawer

## OPTIONAL ACCESSORIES

REFHANDIS24  
Distinto Wine Celler Handle Kit

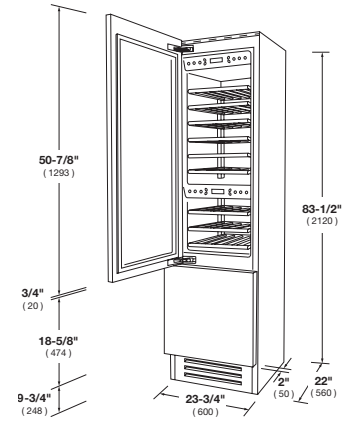
REFSBSINT60  
Coupling kit

### NOTE:

Handle kit: Distinto Fridge and Wine Celler handles are to be supplied by installer

# DISTINTO

## 24" BUILT-IN WINE CELLAR



CODE ID	24" BUILT-IN WINE CELLAR F7IBW24O1-L (LEFT HINGE) F7IBW24O1-R (RIGHT HINGE)	
Series	700	
Finish	Distinto - Overlay Panel	
<b>PERFORMANCES/CAPACITY</b>		
Noise Level db	41	
Riserva Compartment capacity (bottles)	36	
Wine Cellar Compartment capacity (bottles)	18	
Flexzone Bottom-Drawer capacity (cbft)	2	
<b>FEATURES</b>		
<b>Riserva storage compartment</b>		
Natural wood shelves	6	
<b>Wine Cellar Compartment</b>		
Natural wood shelves	3	
<b>Flexzone Bottom-Drawer</b>		
White Painted Drawers	1	
Internal Drawers	1	
LED lighting	•	
Glass door	•	
<b>Equipment</b>		
TriplePlay Refrigeration	•	
No Frost	•	
Flexzone	•	
TruPivot hinges	•	
<b>DIMENSIONS/WEIGHT</b>		
Width in	23 - 5/8"	600 mm
Height in	83 - 1/2"	2121 mm
Depth without handle in	24"	610 mm
Minimum niche height in	84"	2134 mm
Door clearance in	46"	1168 mm
Door opening angle	105°	
Net Weight	386 lbs	175 kg
<b>POWER / RATINGS (115 V, 60 HZ)</b>		
Watts / Amps	472W - 4.1A	
Power Cable	Nema 5-15P	
<b>INSTRUCTIONS FOR USE</b>		
Use & Care Manual / Installation Manual	English / French / Spanish	