

SOFIA PROFESSIONAL 36"



CODE ID

36" PROFESSIONAL GAS RANGE TOP

F6GRT366S1



Heavy Duty Grates



Continuous Grate Surface



Dual Crescendo Burner



Professionally Styled Knobs

SPECIFICATIONS

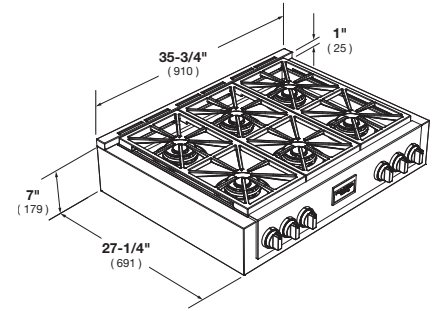
3 Heavy Duty, continuous cast iron grates
One piece, matte finish porcelain burner bowl
6 Dual-Flame Crescendo Burners
2 X 20,000 BTU max (NG)
4 X 18,000 BTU max (NG)
Natural Gas (LP convertible)
Electric Re-ignition system
Flame-out Sensing
Top Mount Injectors

OPTIONAL ACCESSORIES

FMWOK	Wok ring
FMSIM	Simmer plate
F6BG36BCI	Island trim
F6BG36STD	Standard trim
F6BG36HBT	High back trim
FMGRID36	Griddle

SOFIA

PROFESSIONAL GAS RANGE TOP



CODE ID	36" PROFESSIONAL GAS RANGE TOP F6GRT366S1	
Series	600	
Finish	Professional Design - Stainless Steel	
CONTROL PANEL		
Control Type	6 Heavy Duty Knobs	
COOKTOP		
Type	GAS (NG or LP)	
Cooking Surface	Matte Black Enamel	
GAS COOKTOP FEATURES		
Electric Re-ignition system	•	
Flame-out sensing	•	
Top Mount Injectors	•	
Dual Crown Brass Burner	•	
Simmer Plate	Optional	
Wok Ring	Optional	
Heavy Duty Cast Iron Grates	3	
Cooking Zones	6	
Burners types	All Dual Flame/Simmer Burner	
Power Front-L,Front-R (Max/Min) NG	20000 (BTU/h) - 5900W / 750 (BTU/h) - 220W	
Power Front-R (Max/Min) NG	-	
Power (Max/Min) NG	18000 (BTU/h) - 5300W / 750 (BTU/h) - 220W	
Power (Max/Min) LP	15000 (BTU/h) - 4400W / 750 (BTU/h) - 220W	
DIMENSIONS/WEIGHT		
Overall dim - Width	35 - 3/4"	910 mm
Overall dim - Height	7"	179 mm
Overall dim - Depth	29 - 3/4"	756 mm
Cut-out - Width	36"	914 mm
Cut-out - Height (min)	7"	179 mm
Cut-out - Depth (min - max)	24", 25 - 1/2"	610 mm)- 650 mm
Gross Weight	121 lbs	55 kg
POWER / RATINGS (120 V, 60 HZ)		
Amps	0.1A	
Power Cable	Nema 5-15P	
INSTRUCTIONS FOR USE		
Use & Care Manual / Installation Manual	English / French / Spanish	