

SOFIA PROFESSIONAL 36"







CODE ID

36" PROFESSIONAL INDUCTION RANGE TOP

F6IRT365S1



-  Easy Clean Ceramic Glass
-  Power Boost Burner
-  Pan Detection system
-  Digital Controls
-  Residual Heat Sensor
-  Warming Function
-  Professionally Styled Knobs

SPECIFICATIONS

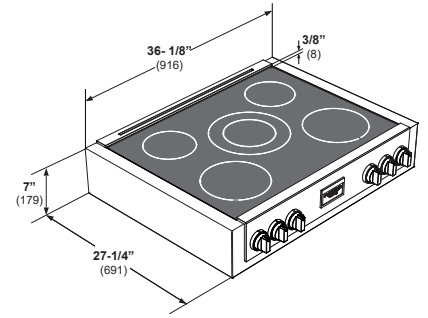
4 Single Induction cooking zones
1 Dual Max Power with Ø 11" cooking zone
Elegant Ceramic glass surface
Premium induction technology for unsurpassed performance
Booster function for each cooking zone
Residual heat and Power-on Indicators
Melting and Simmering function
Knob Controlled
Digital Minute Minder
Pot Detection System
Child Lock Function
Failure Codes Indication
Digital Display for Power Level
Automatic Heat-up Time

OPTIONAL ACCESSORIES

F6BG36IND	Island trim
F6BG36STD	Standard trim
F6BG36HBT	High back trim
F6BG36BCI	Island trim
INDUKIT4	Induction plate adapters

SOFIA

PROFESSIONAL INDUCTION RANGE TOP



CODE ID	36" PROFESSIONAL INDUCTION RANGE TOP F6IRT365S1	
Series	600	
Finish	Professional Design - Ceramic and Stainless Steel	
CONTROL PANEL		
Control Type	6 Heavy Duty Knobs	
COOKTOP		
Type	INDUCTION	
Cooking Surface	Ceramic Glass	
INDUCTION COOKTOP FEATURES		
Pot Detection System	•	
Child Lock Function	•	
Failure Codes Indication	•	
Knob for Power Setting (illuminated)	•	
Power Levels	1 to 9	
Digital Display for Power Level	•	
Melting Function 113°F / 45°C	•	
Warming Function 158°F / 70°C	•	
Booster/Fast Boil Function for Each Zone	•	
Automatic Heat-up Time	•	
Residual Heat Indication	•	
Cooking Zones	5	
Burners types (Front-L/Front-R) - Power (Max/Booster)	Inductor 9" (230 mm)	2300W / 3700W
Burners types (Rear-L/Rear R) - Power (Max/Booster)	Inductor 7" (180 mm)	1850W / 3000W
Burners types (Inner Middle) - Power (Max/Booster)	Inductor 7" (180 mm)	1850W / 2600W
Burners types (Outer Middle) - Power (Max/Booster)	Inductor 11" (280 mm)	3000W / 5500W
DIMENSIONS/WEIGHT		
Overall dim - Width	35 - 3/4"	910 mm
Overall dim - Height	7"	179 mm
Overall dim - Depth	29 - 3/4"	756 mm
Cut-out - Width	36"	916 mm
Cut-out - Height (min)	7"	179 mm
Cut-out - Depth (min - max)	24", 25 - 3/8"	610-644 mm
Gross Weight	96 lbs	43.5 kg
POWER / RATINGS (120 V, 60 HZ)		
kW / Amps rating at 240V, 60Hz	10.80 kW - 45A	
kW / Amps rating at 208V, 60Hz	9.80 kW - 47A	
Power Cable	Conduit	
INSTRUCTIONS FOR USE		
Use & Care Manual / Installation Manual	English / French / Spanish	