

SOFIA PROFESSIONAL 30"



CODE ID

30" PROFESSIONAL SINGLE OVEN

F6PSP30S1



- Dual True Convection
- Soft Closing Door
- Self Clean Oven
- Multi-level cooking
- 1 Telescopic Rack
- Cool Touch Door
- Digital Controls
- Meat Probe
- Fast Pre-Heat
- Interior Lighting

COLOR KIT

| | | |
|--|-----------------|----------|
| | STAINLESS STEEL | |
| | MATTE BLACK | RAL 9004 |
| | GLOSSY BLACK | RAL 9004 |
| | GLOSSY RED | RAL 3003 |
| | GLOSSY WHITE | RAL 9016 |
| | MATTE WHITE | RAL 9016 |
| | MATTE GREY | RAL 9007 |

SPECIFICATIONS

OVEN

Knob and electronic controls
Dual True Convection
Self-cleaning oven with Multifunction baking
Black Porcelain enamel interior
Cool to the touch soft closing door
Extra-large baking cavity and viewing area
3 Halogen lights for flawless visibility
Gross capacity 4.4 cu. ft.
2 chrome racks
1 telescopic rack
Enameled Broiler Pan

OVEN FUNCTIONS

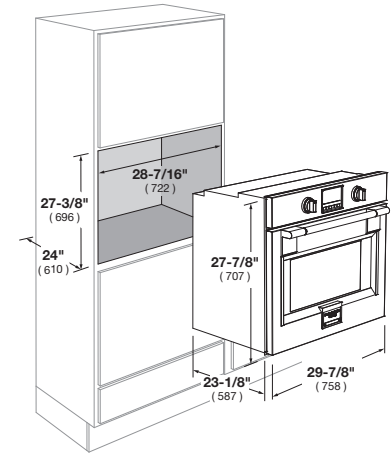
Bake
Broil
Roast
Convection
True Convection
Warm / Proof / Dehydrate
Electronic cooking programmer
Meat Probe
Self-Clean
Sabbath Mode

OPTIONAL ACCESSORIES

| | |
|--------------|-----------------|
| PDRKIT30 ... | Color kit |
| FMTRP30 | Telescopic rack |

SOFIA

30" PROFESSIONAL OVEN



| CODE ID | 30" PROFESSIONAL SINGLE OVEN F6PSP30S1 | |
|--|---|---------------------------|
| Series | 600 | |
| Finish | Professional Design - Stainless Steel | |
| CONTROL PANEL | | |
| Control Type | 2 Heavy Duty Knobs | |
| Oven Programming | Electronic with 6 Touch Keys | |
| Display: Clock - Temperature - Timer | White LED | |
| Language | English | |
| OVEN | | |
| Type | Dual True Convection | |
| Temperature Regulation | Electronic Control (min/max 170/550°F - 75/290°C) | |
| OVEN FUNCTIONS | | |
| | Pyrolytic Self-Clean | Broil |
| | True Convection | Dehydrate |
| | Convection Bake | Thaw (Defrost) |
| | Convection Broil | Proof (Warm) |
| | Convection Roast | Keep warm (Warm Plus) |
| | Pizza (Lower Convection) | Oven Lights |
| | Bake | |
| ELECTRIC OVEN FEATURES | | |
| | Preset/Last Used | Preheat Indicator |
| | Temperature Memory | (25%, 50%, 75%, 100%) |
| | Control Display Lock | Sabbath Mode |
| | Child Door Lock | Temperature Display °C/°F |
| | Meat Probe | |
| OVEN DOOR(S) | | |
| Oven Glass Window | Large See Through Glass | |
| Door Cooling System | 4 Heat Resistant Glasses | |
| Door Hinges - Soft-closing System | Heavy Duty Steady Tilt | |
| Handle Style | Tubular Steel | |
| OVEN CAVITY | | |
| Gross Capacity (cbft) | 4.4 | |
| Usable Capacity (cbft) | 4.1 | |
| Cavity Enamel Color | Black | |
| Rack Positions | 6 | |
| Oven Lights | 3x20W Halogen | |
| HEATING ELEMENTS (@240V) | | |
| Broil Upper Heating Element | 3500 W | |
| Upper Auxiliary Element | 1032 W | |
| Concealed Bake Lower Heating Element | 3000 W | |
| Convection Element | 2 x 1300 W | |
| OVEN ACCESSORIES | | |
| Chrome Racks | 2 | |
| Enameled Broiler Pan (basin + anti splash) | 1 | |
| Telescopic Chrome Rack | 1 | |
| DIMENSIONS/WEIGHT | | |
| Overall dim - Width | 29 - 11/16" | 754 mm |
| Overall dim - Height | 27 - 7/8" | 707 mm |
| Overall dim - Depth | 24" | 610 mm |
| Cut-out - Width | 28 - 7/16" | 722 mm |
| Cut-out - Height (min) | 27 - 3/8" | 696 mm |
| Cut-out - Depth (min) | 23 - 1/4" | 590 mm |
| Gross Weight | 198 lbs | 90 kg |
| POWER / RATINGS (208/240 V, 60 HZ) | | |
| kW / Amps rating at 240V, 60Hz | 3.84 kW - 16.9A | |
| kW / Amps rating at 208V, 60Hz | 3.54 kW - 17.5A | |
| Power Cable | Conduit | |
| INSTRUCTIONS FOR USE | | |
| Use & Care Manual / Installation Manual | English / French / Spanish | |