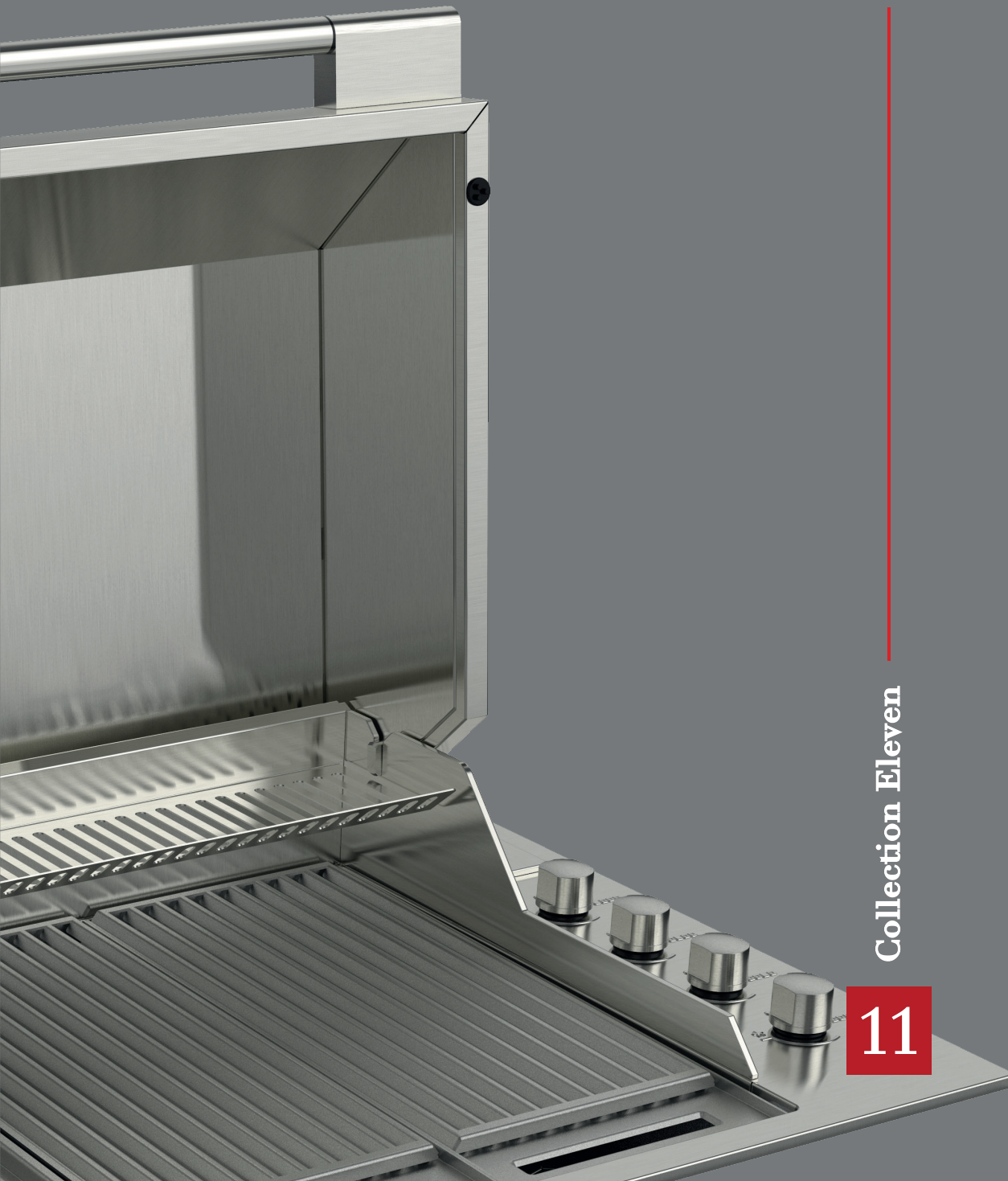


**FULGOR**  
MILANO

BBQ



Collection Eleven

11

# FULGOR

MILANO

## BBQ

STAINLESS BBQ	page 6
MATTE BLACK BBQ	page 16
ACCESSORIES	page 20
DATA SHEETS	page 22

**FULGOR**  
MILANO

**SINCE 1949**

**PASSIONE ITALIANA**

FULGOR MILANO, with more than 70 years long history, sink deep its roots in the know-how of the territory where it has developed. Its leading principles are the will to marry beauty with practicality, innovation with elegance, form with precision, to meet the needs of our ever-changing everyday life.

Nowadays technologies have introduced a lot of new opportunities, new demands, but also improvements and ways to achieve the desired results, which has led to meet the need for change and renovation so common in all human beings. The huge availability of information, something never seen before, has given you the freedom to choose between the different options with more awareness.

The heartiness and joyfulness of our lives are assured by the use of tools that are simple to use, efficient, and aesthetically pleasing at the same time. This will give us more time to spend with the people we love and in more meaningful activities. With our products, our goal is to enable you to experience the happiness of cooking, while enjoying the company of your family and friends, all gathered together to taste the masterpieces of your culinary art.

For this reason, FULGOR MILANO continues to offer more and more options for those who love cooking, for those who want to become chefs in their own homes, for those who are already professional cooks or enjoy the pleasures of outdoor cooking. We want not only to give you the best technologies available, but also products that follow the latest aesthetic trends, but that can be reliable and a point of reference in the years to come.

*Gianni Anselmetti*

General Manager

NEW

FULGOR  
MILANO

# PROFESSIONAL OUTDOOR BBQ

## OUTDOOR COOKING

Grilling, cooking, roasting meats, fish or vegetables open air in your garden, by the pool, or on a large terrace: these are the possibilities offered by our OUTDOOR line.

NEW

# OUTDOOR BBQ

## PROFESSIONAL

### CLEANING AND MAINTENANCE

Thanks to its structure and cooking surfaces in stainless steel, our barbecue is easy to clean and to maintain. Stainless steel is an ideal material, since it offers an igienic surface and it doesn't alter the taste of food to which comes in contact. Each element is easy to disassemble. Plate and griddles are easy to remove.

### TEPPANYAKI

The Teppanyaki surface allows you to cook directly on its surface both vegetables and shellfish without the need of adding any condiment. The Teppanyaki - griddles configuration can be rearranged according to your needs, moving also the deflectors positioned over the flame beaneath the griddles.

### GRILLING

The large steel griddles supplied with the barbecue allow you to cook large portions of meat or fish, based on what you need. As on request accessory is available cast-iron griddles.

### LIDS

Two possible options: a standard lid, which protects the cooking surface after cooking, and a high lid that allows you to cook roasts with heat maintenance inside, equipped with a thermometer and a large handle.

### SAFETY

No electrical wiring needed, just a battery for lighting the burners; the gas burners are equipped with a Flame-out Sensing valve.

### METAL KNOBS

Robust and sizable brushed metal knobs ensure easy handling and precise control while cooking.

# OUTDOOR

100 GAS BARBECUE

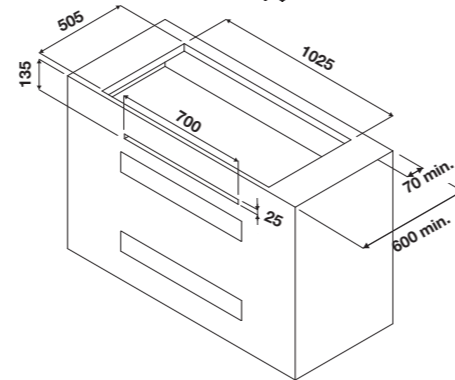
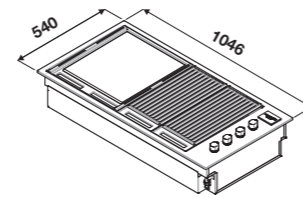
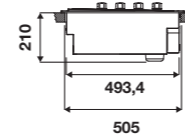
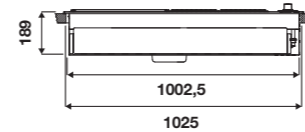


CODE ID

**FOBQ 1000 G X**



- Gas supply
- Gas safety
- Teppanyaki
- Grill
- Stainless steel grids



pag

<b>ACCESSORIES</b>	68
<b>DATA SHEETS</b>	79



STAINLESS STEEL  
FOBQ 1000 G X

# OUTDOOR

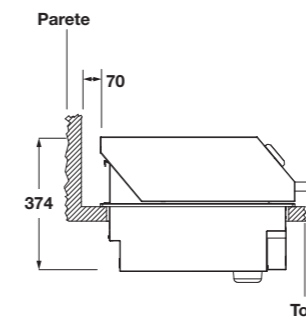
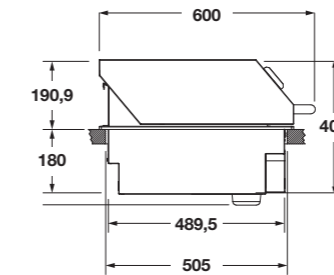
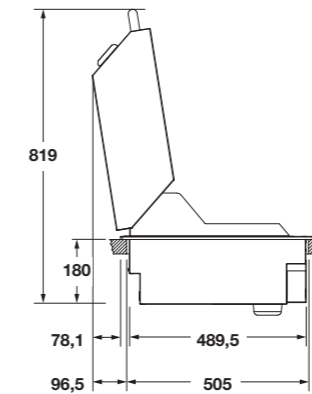
HIGH LID

CODE ID

**FOBQ HL 1000 X**



**HIGH LID**  
AISI 316 stainless steel  
For roasting and keep warm  
External thermometer for detection of the cooking temperature  
Tubular steel handle



Top



STAINLESS STEEL  
FOBQ HL 1000 X

STAINLESS STEEL  
FOBQ HL 1000 X

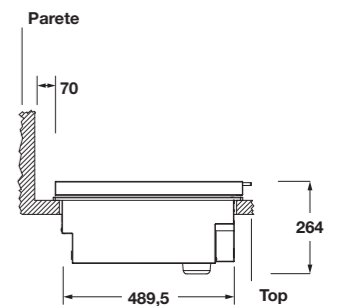
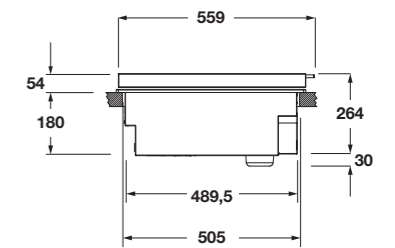
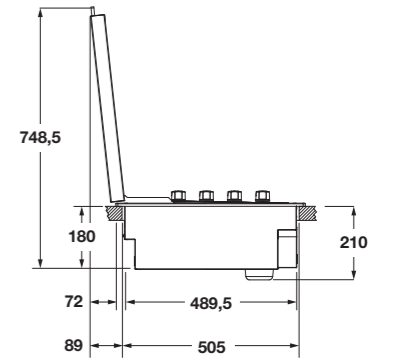
CODE ID

STANDARD LID

**FOBQ LL 1000 X**



**STANDARD LID**  
AISI 316 stainless steel  
Flat metal handle



Top



STAINLESS STEEL  
FOBQ LL 1000 X

STAINLESS STEEL  
FOBQ LL 1000 X

# OUTDOOR





80 GAS BARBECUE

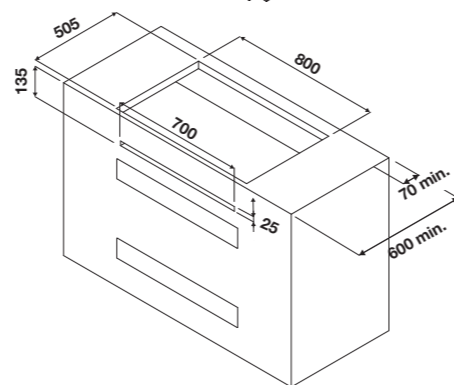
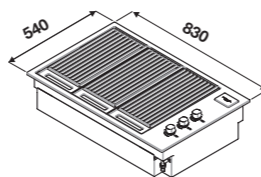
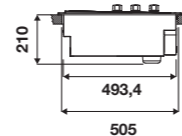
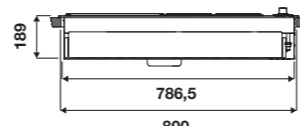
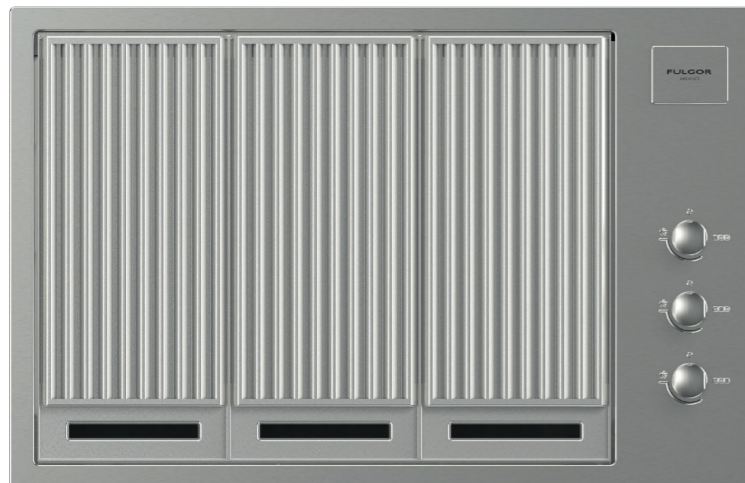
NEW



CODE ID

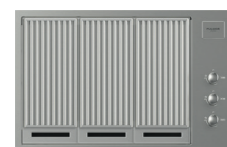
**FOBQ 803 G X**

-  Gas supply
-  Gas safety
-  Grill
-  Stainless steel grids



pag

<b>ACCESSORIES</b>	68
<b>DATA SHEETS</b>	80



STAINLESS STEEL  
FOBQ 803 G X

# OUTDOOR

HIGH LID

NEW

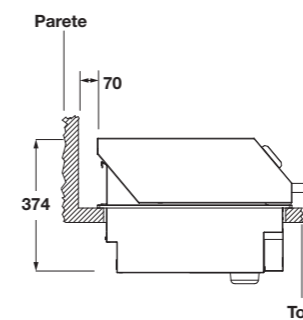
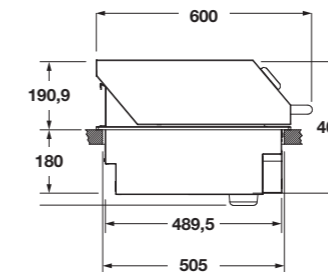
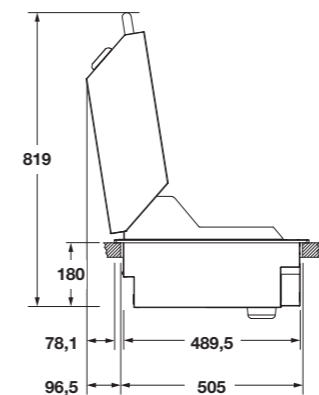
CODE ID

**FOBQ HL 800 X**



## HIGH LID

AISI 316 stainless steel  
For roasting and keep warm  
External thermometer for detection of the cooking temperature  
Tubular steel handle

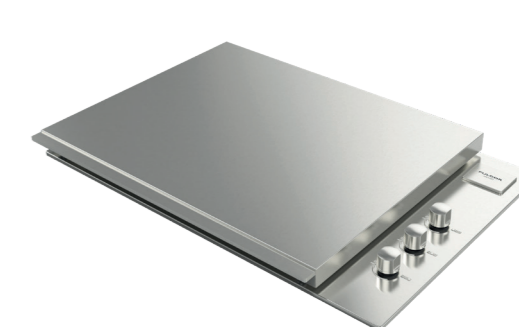


STAINLESS STEEL  
FOBQ HL 800 X

STAINLESS STEEL  
FOBQ HL 800 X

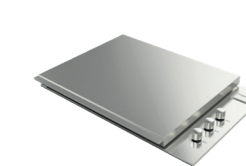
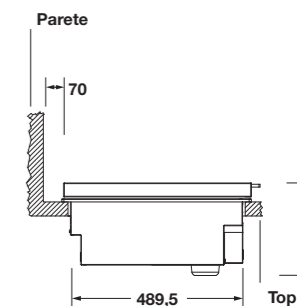
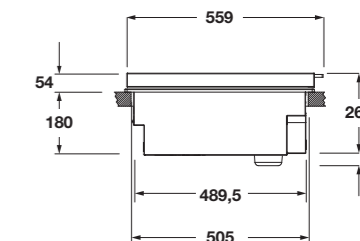
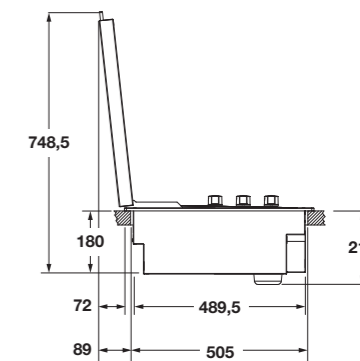
CODE ID

**FOBQ LL 800 X**



## STANDARD LID

AISI 316 stainless steel  
Flat metal handle



STAINLESS STEEL  
FOBQ LL 800 X

STAINLESS STEEL  
FOBQ LL 800 X





# OUTDOOR

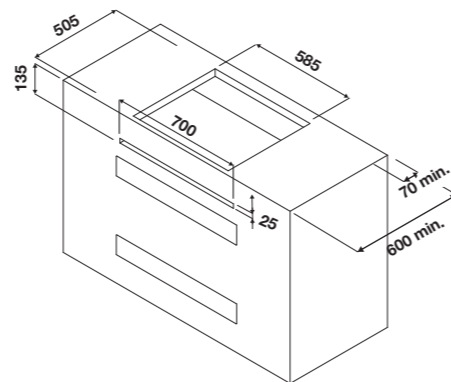
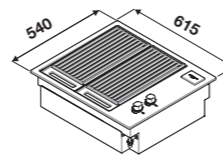
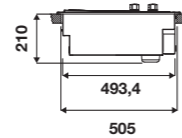
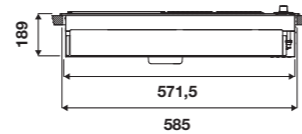
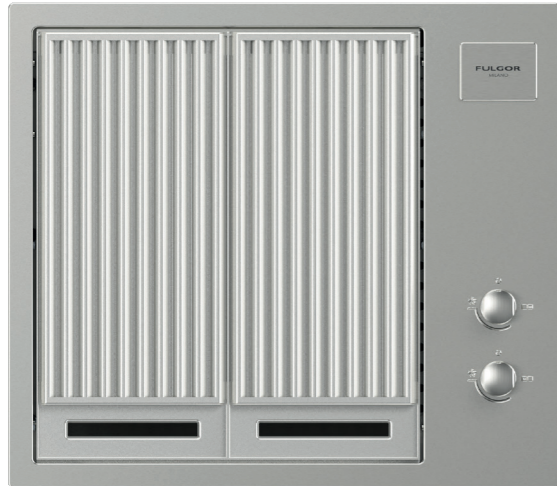
60 GAS BARBECUE

NEW

CODE ID

**FOBQ 602 G X**

-  Gas supply
-  Gas safety
-  Grill
-  Stainless steel grids



pag

<b>ACCESSORIES</b>	68
<b>DATA SHEETS</b>	81



STAINLESS STEEL  
FOBQ 602 G X

# OUTDOOR

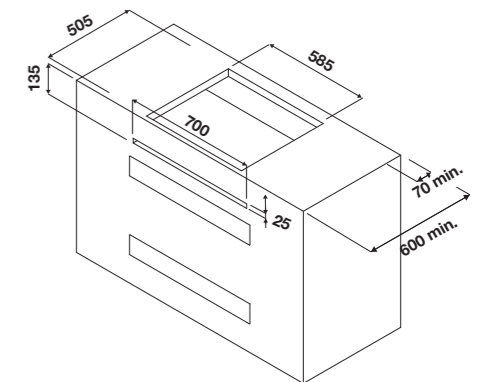
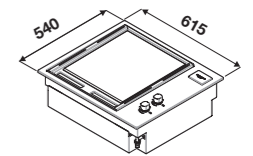
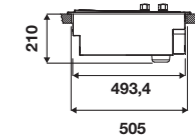
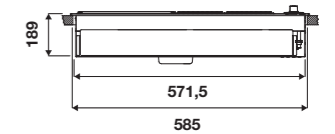
60 GAS TEPPANYAKI

NEW

CODE ID

**FOBQ 601 TY G X**

-  Gas supply
-  Gas safety
-  Grill
-  Teppanyaki



pag

<b>ACCESSORIES</b>	68
<b>DATA SHEETS</b>	81



STAINLESS STEEL  
FOBQ 601 TY G X



NEW

NEW

# OUTDOOR

CODE ID

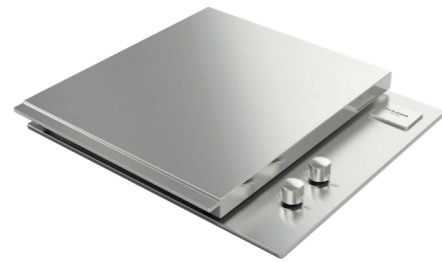
CODE ID

HIGH LID

**FOBQ HL 600 X**

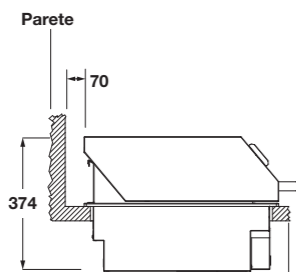
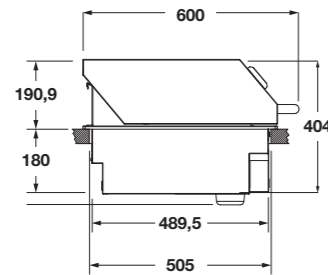
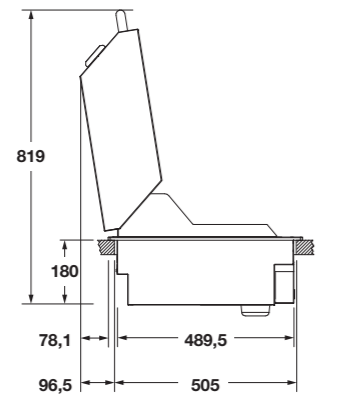
STANDARD LID

**FOBQ LL 600 X**



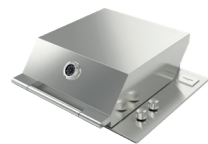
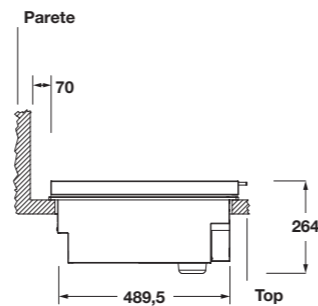
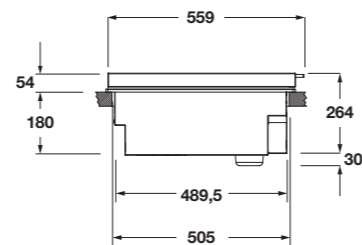
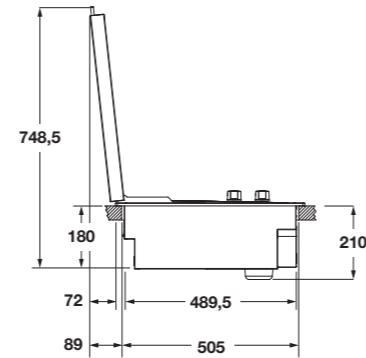
## HIGH LID

AISI 316 stainless steel  
For roasting and keep warm  
External thermometer for detection of the cooking temperature  
Tubular steel handle

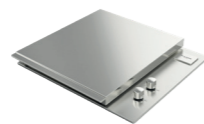


## STANDARD LID

AISI 316 stainless steel  
Flat metal handle



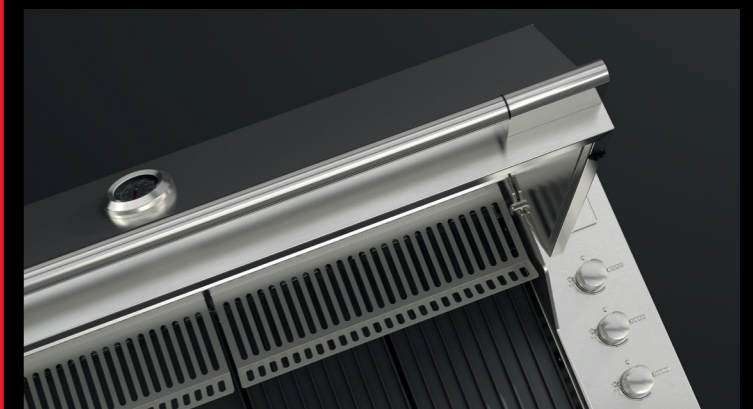
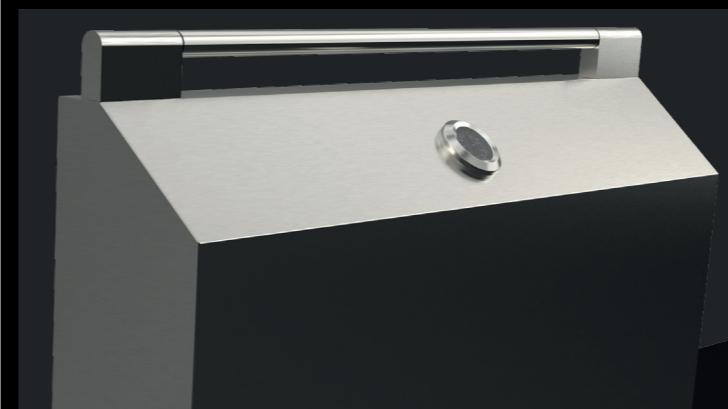
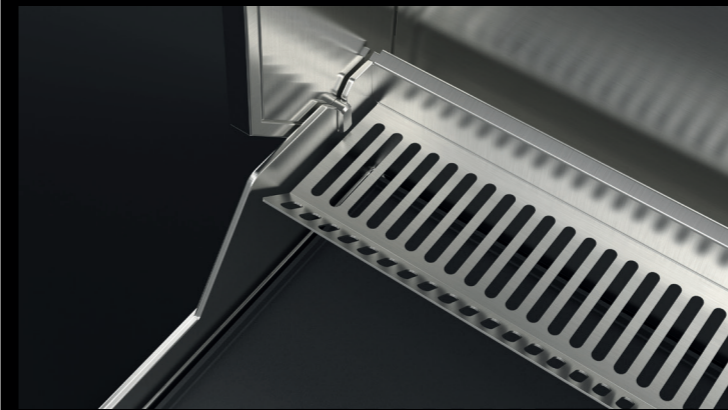
STAINLESS STEEL  
FOBQ HL 600 X



STAINLESS STEEL  
FOBQ LL 600 X



# BBQ PROFESSIONAL CAST-IRON ACCESSORIES



# PROFESSIONAL OUTDOOR BBQ

## MATTE BLACK FINISH

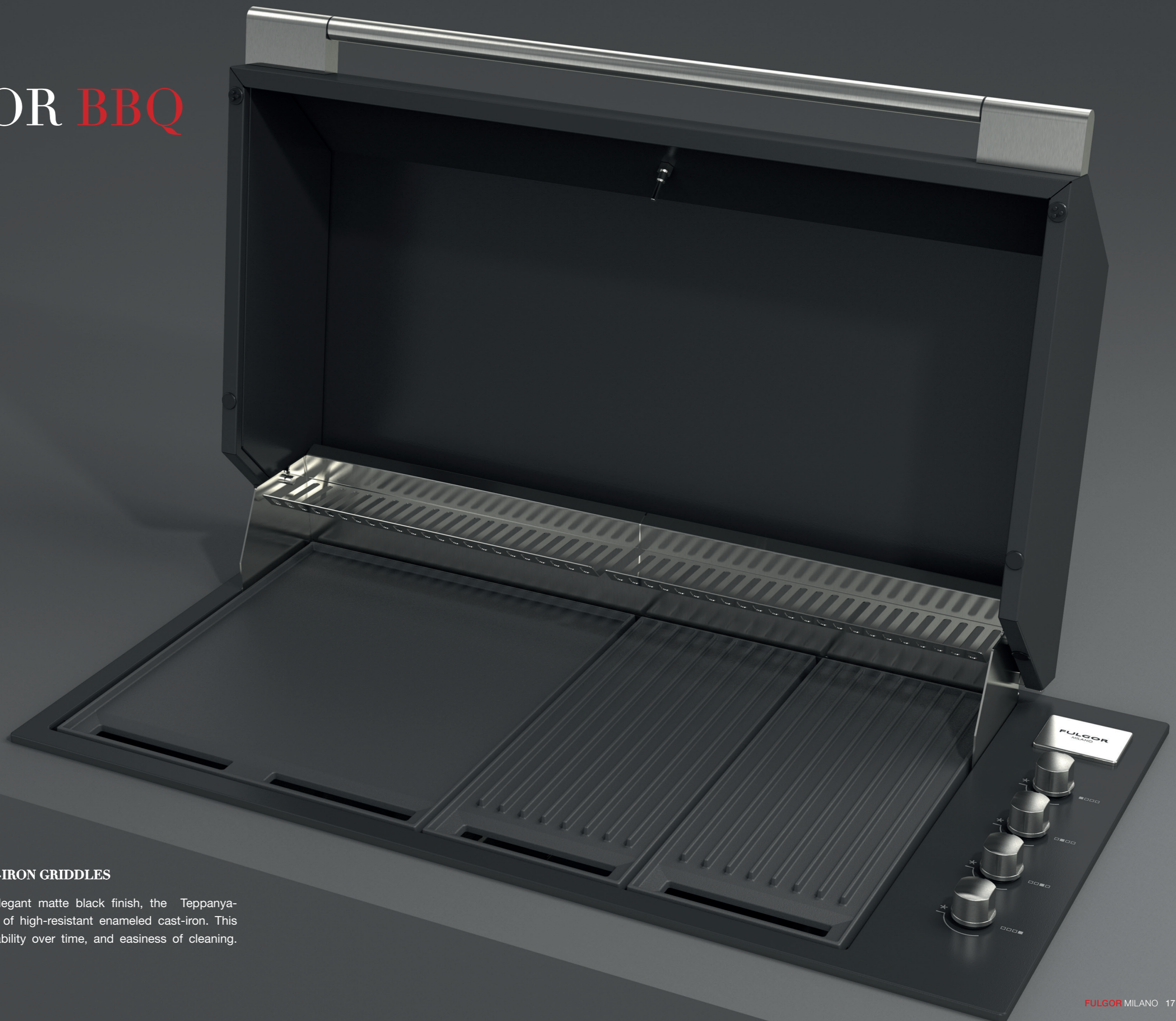
The matte black enamel gives a unique style to this barbecue and to its matchable lids.

## ERGONOMIC CONTROLS

Its durable metal knobs and lid handles are easy to use and allow to perfectly control both the cooking process and the opening of the lids.

## TEPPANYAKI PLATE AND CAST-IRON GRIDDLES

In this new barbecue version, its elegant matte black finish, the Teppanyaki plate, and the griddles are made of high-resistant enameled cast-iron. This grants perfect cooking of food, durability over time, and easiness of cleaning.



# OUTDOOR






100 GAS BARBECUE

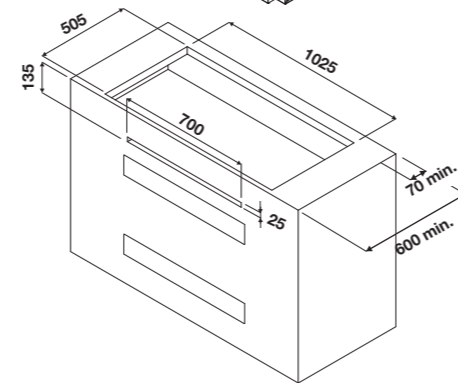
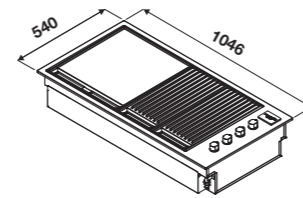
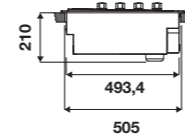
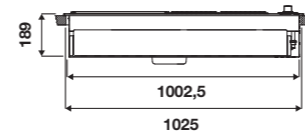


CODE ID

## FOBQ 1000 G MBK



-  Gas Supply
-  Gas Safety
-  Teppanyaki
-  Grill
-  Stainless steel grides



pag

<b>ACCESSORIES</b>	68
<b>DATA SHEETS</b>	82



MATTE BLACK  
FOBQ 1000 G MBK

CODE ID

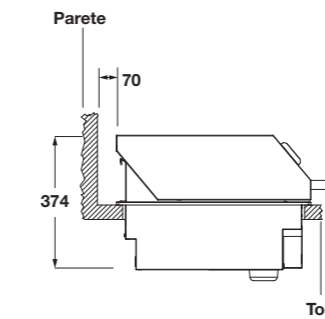
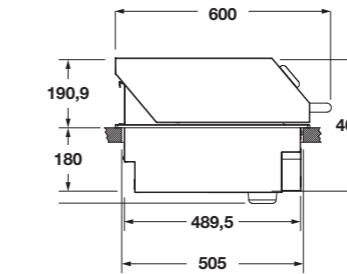
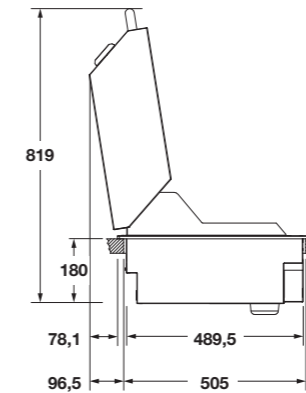
HIGH LID

## FOBQ HL 1000 MBK



### HIGH LID

Matte black steel  
For roasting and keep warm  
External thermometer for detection of the cooking temperature  
Tubular steel handle



MATTE BLACK  
FOBQ HL 1000 MBK

CODE ID

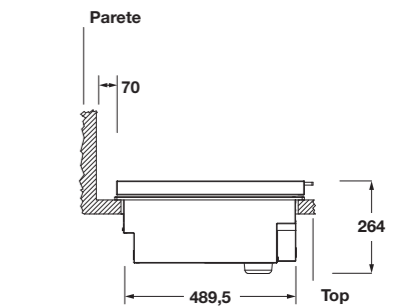
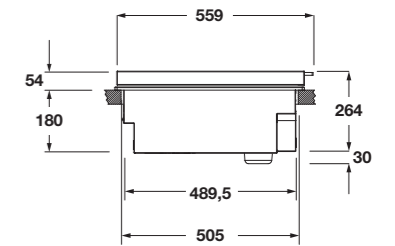
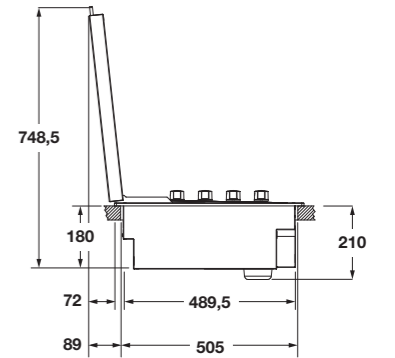
STANDARD LID

## FOBQ LL 1000 MBK

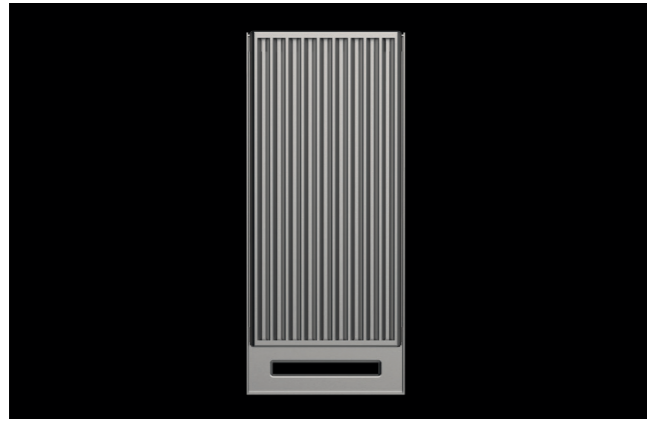


### STANDARD LID

Matte black steel  
Metal steel handle



MATTE BLACK  
FOBQ LL 1000 MBK



Stainless steel griddle  
CODE **FOBQ GRT X**



Stainless steel Teppanyaki  
CODE **FOBQ TY X**



Cast iron griddle  
CODE **FOBQ GRT CAST**



Cast iron Teppanyaki  
CODE **FOBQ TY CAST**

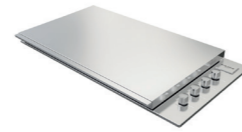


FULGOR  
MILANO

DATA  
SHEETS

## OUTDOOR

GAS BARBEQUE



	FOBQ 1000 G X	FOBQ HL 1000 X	FOBQ LL 1000 X
Type	Built-in barbecue	High lid	Standard lid
Finishing	Stainless steel	Stainless steel	Stainless steel
<b>EXTERIOR</b>			
Knobs material / no.	Stainless steel / 4	-	-
Lid with double level for roasting	-	•	-
Standard lid	-	-	•
<b>INTERIOR</b>			
Teppanyaki (material)	Stainless steel	-	-
Grids (material)	Stainless steel	-	-
Tubular burners	4	-	-
Internal tub	Black enamel	-	-
Steel handle	-	•	•
<b>FEATURES</b>			
Supply	Gas	-	-
Grids n.	2	-	-
Gastronorm tray to collect liquids	•	-	-
Grid for reheating	-	•	-
Total power of gas burners	15,2 kW	-	-
Electronic ignition	•	-	-
Battery for ignition	•	-	-
Thermometer	-	•	-
Types of gas	NG - LPG	-	-
<b>DIMENSIONS</b>			
Cooking zone width mm	900	-	-
Width mm	1046	920	920
Height mm	189	191	54
Depth mm	540	600	559
Cut-out ( W x H x D ) mm	1025 x 210 x 505	-	-

## OUTDOOR

GAS BARBEQUE



	FOBQ 803 G X	FOBQ HL 800 X	FOBQ LL 800 X
Type	Built-in barbecue	High lid	Standard lid
Finishing	Stainless steel	Stainless steel	Stainless steel
<b>EXTERIOR</b>			
Knobs material / no.	Steel / 3	-	-
Lid with double level for roasting	-	•	-
Standard lid	-	-	•
<b>INTERIOR</b>			
Teppanyaki (material)	-	-	-
Grids (material)	Stainless steel	-	-
Tubular burners	3	-	-
Internal tub	Black enamel	-	-
Steel handle	-	•	•
<b>FEATURES</b>			
Supply	Gas	-	-
Grids n.	3	-	-
Gastronorm tray to collect liquids	•	-	-
Grid for reheating	-	•	-
Total power of gas burners	11,4 kW	-	-
Electronic ignition	•	-	-
Battery for ignition	•	-	-
Thermometer	-	•	-
Types of gas	NG - LPG	-	-
<b>DIMENSIONS</b>			
Cooking zone width mm	650	-	-
Width mm	830	705	705
Height mm	189	191	54
Depth mm	540	600	559
Cut-out ( W x H x D ) mm	800 x 210 x 505	-	-

# OUTDOOR

GAS BARBEQUE



	FOBQ 602 G X	FOBQ 601 TY G X	FOBQ HL 600 X	FOBQ LL 600 X
Type	Built-in barbecue	Built-in Teppanyaki	High lid	Standard lid
Finishing	Stainless steel	Stainless steel	Stainless steel	Stainless steel
<b>EXTERIOR</b>				
Knobs material / no.	Steel / 2	Steel / 2	-	-
Lid with double level for roasting	-	-	•	-
Standard lid	-	-	-	•
<b>INTERIOR</b>				
Teppanyaki (material)	-	Stainless steel	-	-
Grids (material)	Stainless steel	-	-	-
Tubular burners	2	2	-	-
Internal tub	Black enamel	Black enamel	-	-
Steel handle	-	-	•	•
<b>FEATURES</b>				
Supply	Gas	Gas	-	-
Grids n.	-	-	-	-
Gastronorm tray to collect liquids	•	•	-	-
Grid for reheating	-	-	•	-
Total power of gas burners	7,6 kW	7,6 kW	-	-
Electronic ignition	•	•	-	-
Battery for ignition	•	•	-	-
Thermometer	-	-	•	-
Types of gas	NG - LPG	NG - LPG	-	-
<b>DIMENSIONS</b>				
Cooking zone width mm	440	440	-	-
Width mm	615	615	490	490
Height mm	189	189	191	54
Depth mm	540	540	600	559
Cut-out ( W x H x D ) mm	585 x 210 x 505	585 x 210 x 505	-	-

# OUTDOOR

GAS BARBECUE



	FOBQ 1000 G MBK	FOBQ HL 1000 MBK	FOBQ LL 1000 MBK
Type	Built-in barbecue	High lid	Standard lid
Finishing	Matte black	Matte black	Matte black
<b>EXTERIOR</b>			
Knobs material / no.	Steel / 4	-	-
Lid with double level for roasting	-	•	-
Standard lid	-	-	•
<b>INTERIOR</b>			
Teppanyaki (material)	Cast iron	-	-
Grids (material)	Cast iron	-	-
Tubular burners	4	-	-
Internal tub	Black enamel	-	-
Steel handle	-	•	•
<b>FEATURES</b>			
Supply	Gas	-	-
Grids n.	2	-	-
Gastronorm tray to collect liquids	•	-	-
Grid for reheating	-	•	-
Total power of gas burners	15,2 kW	-	-
Electronic ignition	•	-	-
Battery for ignition	•	-	-
Thermometer	-	•	-
Types of gas	NG - LPG	-	-
<b>DIMENSIONS</b>			
Cooking zone width mm	900	-	-
Width mm	1046	920	920
Height mm	189	191	54
Depth mm	540	600	559
Cut-out ( W x H x D ) mm	1025 x 210 x 505	-	-



#### DECLARATION OF THE MANUFACTURER

The manufacturer declares that, depending on their type, the products in this catalogue conform to the fundamental requirements of European Directives and, for this reason, the product bears the CE mark, for which this declaration of conformity was issued and made available to market supervisory bodies.



#### DISPOSAL OF USED APPLIANCES

At the end of their useful life, these appliances may not be disposed of with normal urban waste, but must be delivered to a collection and recycling point for electrical and electronic equipment. This is indicated by the symbol shown on the product, in the instruction manual or on the packing materials. The materials used in this appliance can be reused in conformity with their intended use. Thanks to the reuse, recycling or other forms of recovery of unusable appliances, you will make a contribution to protecting our natural environment. You can obtain information about the disposal points for unusable appliances from your local authorities.



**FULGOR**  
MILANO

Rosà - Vicenza - Italy  
[www.fulgor-milano.com](http://www.fulgor-milano.com)  
[info@fulgor-milano.com](mailto:info@fulgor-milano.com)

07.2021