

# CLUSTER CONCEPT COMBISET



CODE ID

BLAST CHILLER 45

**FCLBC 4500 TF BK**



- Stainless Steel Interiors
- Blast Chilling
- Pre-Cooling
- Drinks Cooling
- Thawing
- Stainless Steel Griddle
- Leavening
- Deep-Freezing
- Slow Cooking
- Warming Function
- Interior Lighting

## BLAST CHILLER

TFT Operating System  
Obsidian black glass

## PERFORMANCE

11 functions  
Temperature from +75° to -30°C  
Chilling (+3°C)  
Freezing (-18°C)  
Pre-cooling  
Drinks cooling  
Storage (0 °C)  
Sanitation (Raw Fish)  
Temperature reduction (-30°C)  
Thawing  
Ready to serve  
Slow cooking  
Leavening

## FEATURES

Touch TFT Controls  
Programming of individual function values  
Stainless steel interior  
LED Lighting  
Interior capacity 40 lt

## SAFETY

Temperature overload protection system

## INCLUDED ACCESSORIES

Meat probe  
High thermal glass tray  
Flat chromed griddle

## MATCH WITH

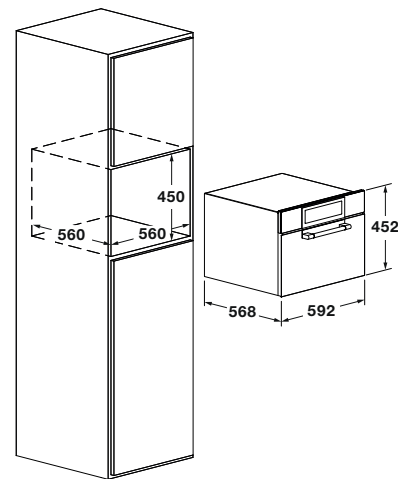
Appliances of CLUSTER CONCEPT line  
and the Vacuum sealing drawer  
FCLVSD 150 TC BK



OBSIDIAN BLACK GLASS  
FCLBC 4500 TF BK

# CLUSTER CONCEPT

BLAST CHILLER



<b>FCLBC 4500 TF BK</b>	
Type	Multifunction blast chiller
Finishing	Obsidian black glass
Inner sleeve	Stainless Steel
<b>FEATURES</b>	
Usable capacity (litres)	40 L
Functions nr.	11
Cold Functions nr.	7
Warm functions nr.	4
<b>PERFORMANCE</b>	
Raw food chilling up to - 30°C	•
Blast chilling up to 3 °C	•
Freezing up to - 18 °C	•
Cooling by time	•
Bottles rapid cooling	•
Low temperature cooking up to +75°C	•
Reheat	•
Keep warm	•
<b>CONTROLS</b>	
Programming	TFT Touch
Auto cut off	•
<b>SAFETY</b>	
Command lock	•
<b>ACCESSORI</b>	
Lighting (Halogen lamps 20W) nr.	1
Flat rack n. / Glass tray	1 / 1
<b>POWER RATINGS</b>	
Max absorbed power ( W )	300 W
Tension and frequency ( V-Hz )	230 / 50
Cord	•
Plug Type	Schuko
<b>DIMENSIONS</b>	
Width mm	592
Height mm	452
Depth mm	568
Cut-out ( W x H x D ) mm	560 x 450 x 560