

# CLUSTER CONCEPT COMBISET



CODE ID

WARMING DRAWER 15

**FCLWD 150 BK**



 Telescopic Rack

 Leavening

 Slow Cooking

 Warming Function

 Thawing

 Push Opening

## WARMING DRAWER

Obsidian black glass  
Push-To-Open system  
Front panel 15 cm high  
Total extraction

## PERFORMANCE

Keep warm cooked food  
Thawing  
Dough leavening  
Delicate cooking at 70° C  
Pre-heating crocker  
Pre-heating coffee cups

## FEATURES

Internal non-slip rubber mat  
Interior lighting  
Fan assisted  
Adjustable thermostat  
from 40° C to 70° C  
Timer  
Operation indicator  
Safe front

## INCLUDED ACCESSORIES

Telescopic racks  
Power cord with plug

## MATCH WITH

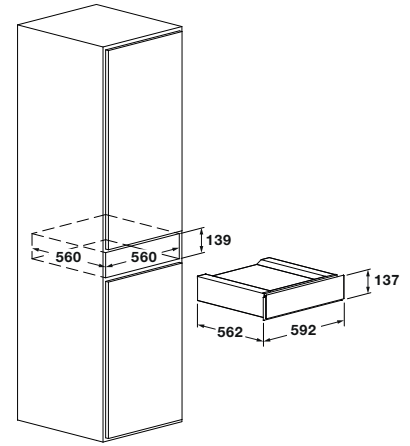
Appliances of CLUSTER CONCEPT line



OBSIDIAN BLACK GLASS  
FCLWD 150 BK

# CLUSTER CONCEPT

DRAWER



| FCLWD 150 BK                   |                      |
|--------------------------------|----------------------|
| Type                           | Warming drawer       |
| Finishing                      | Obsidian black glass |
| Inner surface                  | Non slip rubber mat  |
| Front opening                  | Push to Open         |
| <b>PERFORMANCE</b>             |                      |
| Max temperature °C             | 70                   |
| Low temperatur slow cooking    | •                    |
| Leavening                      | •                    |
| Reaheat                        | •                    |
| <b>CONTROLS</b>                |                      |
| On/Off buttons                 | •                    |
| Thermostat                     | •                    |
| Fan assisted                   | •                    |
| Functioning warning light      | •                    |
| <b>SAFETY</b>                  |                      |
| Cool front                     | •                    |
| <b>POWER RATINGS</b>           |                      |
| Max absorbed power ( W )       | 400 W                |
| Tension and frequency ( V-Hz ) | 220 - 240 / 50 - 60  |
| Cord                           | •                    |
| Plug Type                      | Schuko               |
| <b>DIMENSIONS</b>              |                      |
| Width mm                       | 592                  |
| Height mm                      | 137                  |
| Depth mm                       | 562                  |
| Cut-out ( W x H x D ) mm       | 560 x 139 x 560      |