

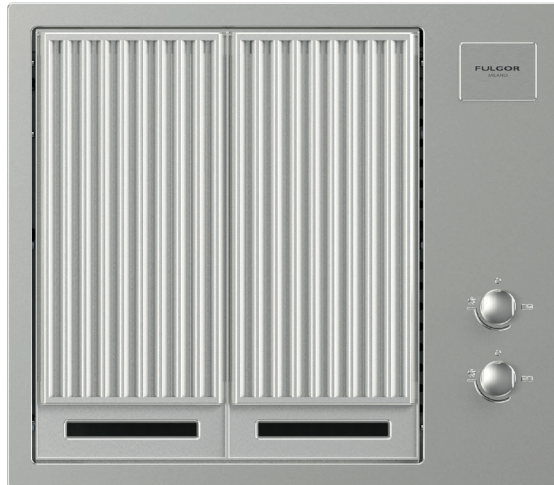
# OUTDOOR







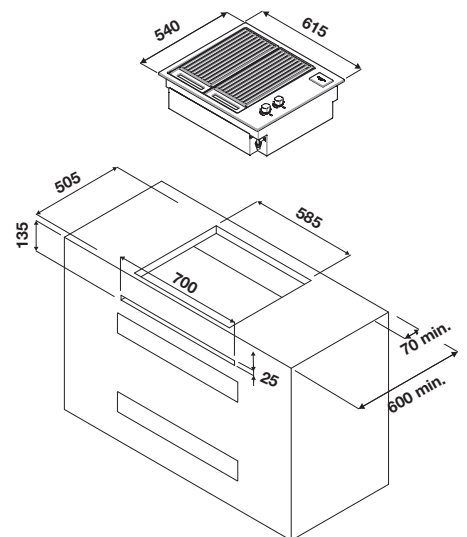
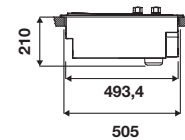
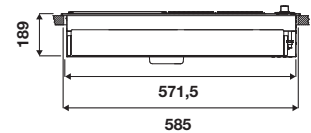
CODE ID

60 GAS BARBECUE

**FOBQ 602 G X**



-  Gas supply
-  Gas safety
-  Grill
-  Stainless steel grids



## OUTDOOR GAS BARBECUE

AISI 316 stainless steel

## PERFORMANCE

2 tubular gas burners, in line, usable with both NG and LPG, Total power 7.6 kW  
Cooking on the grill and roasts

## FEATURES

Metal knobs with lateral position Electronic ignition (with battery)  
2 stainless steel grids (split)  
Removable grease collector, oil and cooking residues

## SAFETY

GasProtekt  
Gas detection and stop system

## OPTIONAL ACCESSORIES

FOBQ GR X Pair of stainless steel grids  
FOBQ GR CAST Pair of cast iron grids  
FOBQ LL 600 X standard cover  
FOBQ HL 600 X high lid for roasting



STAINLESS STEEL  
FOBQ 602 G X

# OUTDOOR

CODE ID

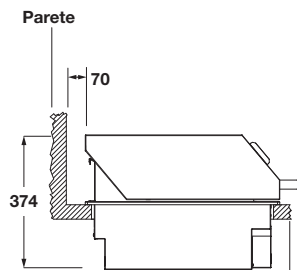
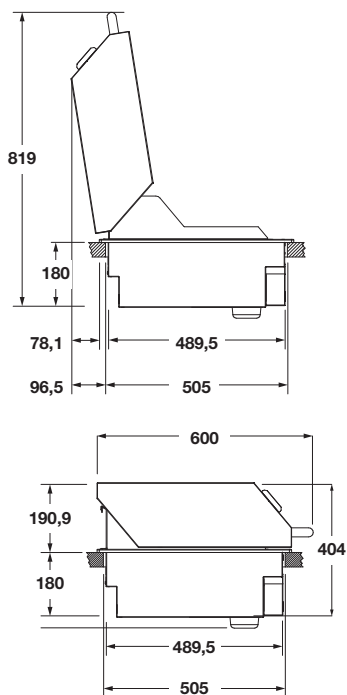
HIGH LID

**FOBQ HL 600 X**



## HIGH LID

AISI 316 stainless steel  
For roasting and keep warm  
External thermometer for detection of the cooking temperature  
Tubular steel handle

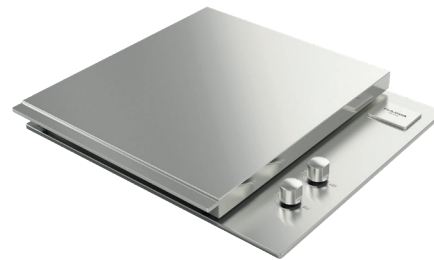


STAINLESS STEEL  
FOBQ HL 600 X

CODE ID

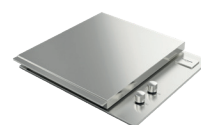
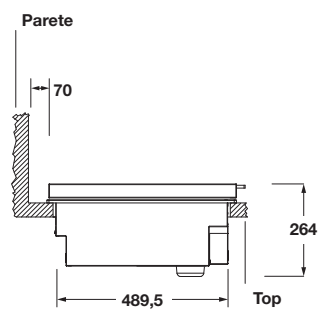
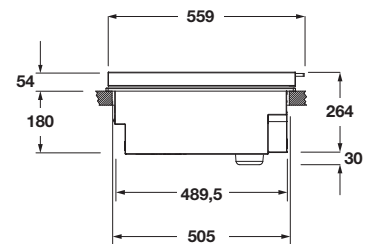
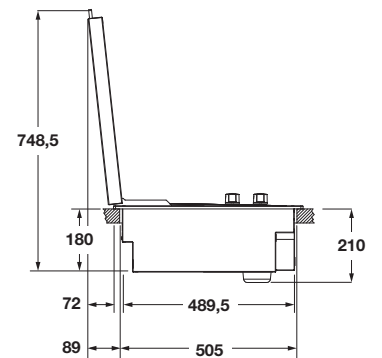
STANDARD LID

**FOBQ LL 600 X**



## STANDARD LID

AISI 316 stainless steel  
Flat metal handle



STAINLESS STEEL  
FOBQ LL 600 X

# PROFESSIONAL

## BARBECUE



	FOBQ 602 G X	FOBQ HL 600 X	FOBQ LL 600 X
Type	Built-in barbecue	High lid	Standard lid
Finishing	Stainless steel	Stainless steel	Stainless steel
<b>EXTERIOR</b>			
Knobs material / no.	Steel / 2	-	-
Lid with double level for roasting	-	•	-
Standard lid	-	-	•
<b>INTERIOR</b>			
Teppanyaki (material)	-	-	-
Grids (material)	Stainless steel	-	-
Tubular burners	2	-	-
Internal tub	Black enamel	-	-
Steel handle	-	•	•
<b>FEATURES</b>			
Supply	Gas	-	-
Grids n.	-	-	-
Gastronorm tray to collect liquids	•	-	-
Grid for reheating	-	•	-
Total power of gas burners	7,6 kW	-	-
Electronic ignition	•	-	-
Battery for ignition	•	-	-
Thermometer	-	•	-
Types of gas	GN - GPL	-	-
<b>DIMENSIONS</b>			
Cooking zone width mm	440	-	-
Width mm	615	490	490
Height mm	189	191	54
Depth mm	540	600	559
Cut-out ( W x H x D ) mm	585 x 210 x 505	-	-