

# OVEN 700 SERIES 30"



CODE ID

30" COMBI SPEED OVEN

**F7DSPD30S1**



-  Microwave Cooking
-  Thawing
-  True Convection
-  Automatic Cooking
-  Cool Touch Door
-  Multi-level cooking

## SPECIFICATIONS

### OVEN

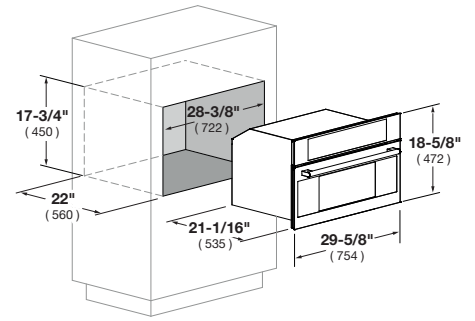
3 in 1 Oven:  
Microwave, Convection, and Combi  
Stainless Interior with broiler  
Quick Access Menu  
Dual Keyboard  
Automatic Programs  
240 Volt Connection

### PERFORMANCE

10 Combined Functions  
Automatic Cooking  
Pre-selected and customizable recipes  
(weight, temperature, cooking time)  
Microwave mode (6 levels)  
Fan assisted mode  
Combined Cooking mode  
Microwave and Grill mode  
Defrosting by time and weight

# DISTINTO

## COMBI SPEED OVEN



CODE ID		30" COMBI SPEED OVEN F7DSPD30S1	
Type	Microwave - Speed Oven		
Finish	Stainless steel		
Temperature Regulation	Electronic		
<b>FUNCTIONS</b>			
Microwave	•		
Convection roast	•		
Convection broil	•		
Broil	•		
Recipes	•		
Oven Lights	•		
<b>CONTROL PANEL</b>			
Control type	Dual Full Touch Keyboard - Electronic		
Display	TFT 3.5"		
Menu Recipes	•		
Language	4		
<b>SPECIAL FEATURES</b>			
12/24 hour clock format	•		
°C/°F	•		
<b>OVEN DOOR(S)</b>			
Cool door	•		
<b>OVEN CAPACITY</b>			
Gross Capacity (cuft)	1.2		
Usable Capacity (cuft)	1.0		
Cavity Enamel Color	Stainless Steel		
Rack Positions	3		
Oven Lights	1x20W Halogen		
Broil Upper Heating Element	1500W (240V)		
Convection Element Wattage	2300W (240V)		
<b>ACCESSORIES</b>			
Chrome racks	1		
Stainless Steel Tray	•		
<b>SIZE</b>			
Overall dim - width	29 - 7/8"		758 mm
Overall dim - height	18 - 5/8"		473 mm
Overall dim - depth	21"		533 mm
Recess (LxHxP) in/mm	(25 - 3/4" x 18" x 22")		(654 x 458 x 560 mm)
<b>POWER / RATINGS</b>			
KW/Amps rating at 240V, 60Hz	3.4kW - 14A		
KW/Amps rating at 208V, 60Hz	2.7kW - 13A		
Microwave Input power	1850 W		
Microwave Output power	900 W		
Microwave frequency	2450 mHz		
Cable + Conduit	•		
<b>INSTRUCTION FOR USE</b>			
Use & Care Manual / Installation Manual	EN, SP, FR		