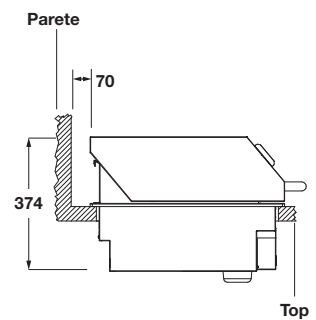
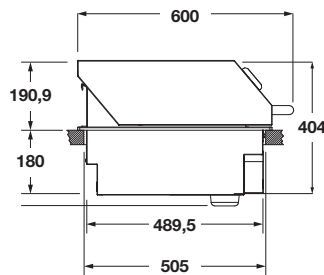
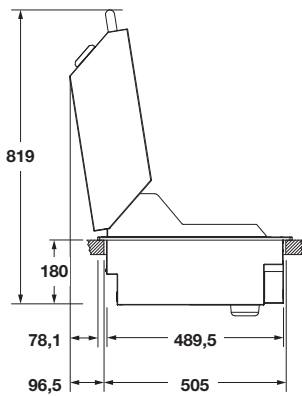


HIGH LID - STAINLESS STEEL

CODE ID

FOR BBQ 60

FOBQ HL 600 X



HIGH LID

Accessory for outdoor bbq

High lid AISI 316 stainless steel for roasting and keeping warm

External thermometer for detection of the cooking temperature

Tubular steel handle