

22" OVERLAY BUILT-IN FRIDGE

DISTINTO BUILT-IN FRIDGE



CODE ID

FM4BM22FBI



LED lighting



Total No Frost



Noise Level 41 (dB)



Active cooling



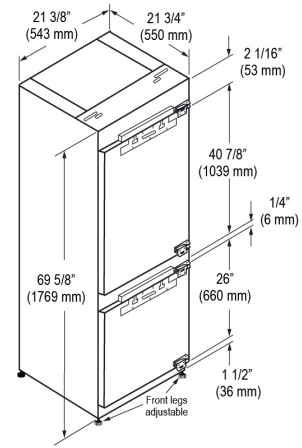
Integrated Installation

SPECIFICATIONS

Contemporary European design
Hettich™ hinge, allowing true integrated install
Digital display
Easy-glide crisper
Holiday mode / ECO mode
Temperature alarm
Super cool / Super freeze function
Glass shelves
LED lighting
Field reversible doors
3D door adjustment, for easy door panel alignment
Ultra quiet 41 dB(A)

DISTINTO

22" BUILT-IN FRIDGE



CODE ID	22" BUILT-IN FRIDGE FM4BM22FBI	
Finish	Panel Ready	
PERFORMANCES/CAPACITY		
Cooling system	Frost Free	
Control system	Electronic	
Energy Star Qualified	Yes	
Refrigerant	R600a	
Noise Level dB(A)	41	
Total net volume, cu. ft. (liters)	9.2 (260)	
Fresh food net volume, cu. ft. (liters)	6.9 (195)	
Freezer net volume, cu. ft. (liters)	2.3 (65)	
FEATURES		
Fridge Compartment		
Control display	Digital	
Automatic Defrost	Yes	
Interior Lighting	LED	
Shelves	3 glass	
Crispers	2 transparent	
Door Bins	3	
Compressor	Variable speed with inverter (VCC)	
Fan Assisted Cooling	Yes	
Air Duct Cover	Stainless	
Freezer		
Automatic Defrost	Yes	
Freezer Drawer	3 transparent	
DIMENSIONS/WEIGHT		
Width	21 - 3/8"	543 mm
Height	69 - 5/8"	1769 mm
Depth	21 - 3/4"	550 mm
Product Weight	127.9 lbs	58 kg
RECOMMENDED PANEL DIMENSIONS		
Fridge Panel		
Height	42 - 7/8"	1088 mm
Width	23 - 1/4"	590 mm
Thickness	Min 3/4" Max 1 - 1/4"	Min 19 mm Max 32 mm
Maximum Weight	46 lbs	20 kg
Freezer Panel		
Height	27 - 1/2"	715 mm
Width	23 - 1/4"	590 mm
Thickness	Min 3/4" Max 1 - 1/4"	Min 19 mm Max 32 mm
Maximum Weight	46 lbs	20 kg
POWER / RATINGS		
Dedicated Circuit, V/Amps	120 V - 15 A	
Supply voltage, V/Hz	115 V - 60 Hz	
Rated Current, Amps	2	