

# OUTDOOR BBQ



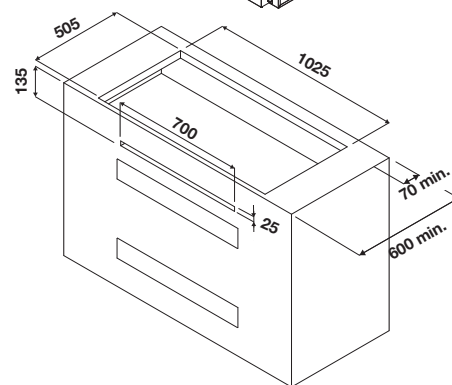
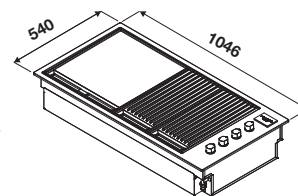
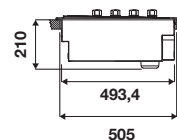
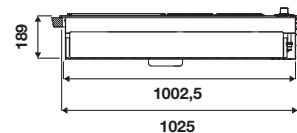
CODE ID

100 GAS BARBECUE

**FOBQ 1000 G MBK**



- Gas Supply
- Gas Safety
- Teppanyaki
- Grill
- Cast Iron griddles



## OUTDOOR GAS BARBECUE

Matte black enameled

## PERFORMANCE

4 tubular gas burners, in line, usable with both NG and LPG, Total power 15.2 kW  
Grilling and roasting

## FEATURES

Metal knobs with lateral position  
Electronic ignition (with battery)  
2 cast iron grids  
Cast iron plate (Teppanyaki)  
Removable binder for fat, oil and cooking residues

## SAFETY

GasProtekt  
Gas detection and stop system

## OPTIONAL ACCESSORIES

FOBQ GRT CAST Two cast iron griddles  
FOBQ GRT H CAST Two cast iron griddles with holes  
FOBQ TY CAST Cast iron Teppanyaki  
FOBQ LL 1000 MBK Standard cover  
FOBQ HL 1000 MBK High lid for roasting

Grill and teppanyaki are also available in stainless steel

FOBQ GRT X Two stainless steel griddles  
FOBQ TY X Stainless steel Teppanyaki



MATTE BLACK  
FOBQ 1000 G MBK

# OUTDOOR

CODE ID

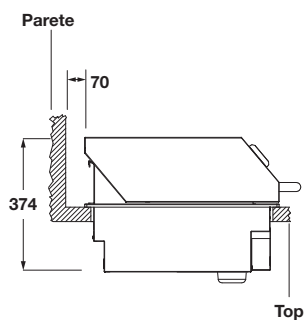
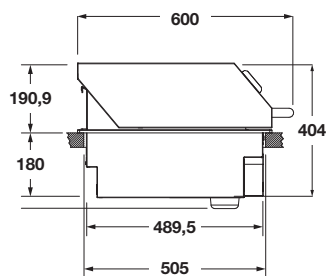
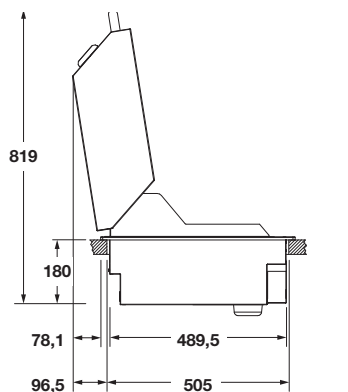
HIGH LID

**FOBQ HL 1000 MBK**



## HIGH LID

Matte black steel  
For roasting and keep warm  
External thermometer for detection of the cooking temperature  
Tubular steel handle



MATTE BLACK  
FOBQ HL 1000 MBK

CODE ID

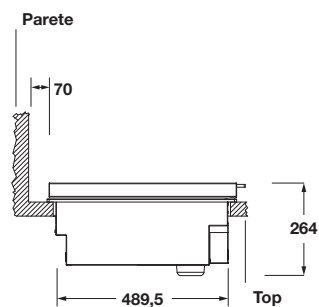
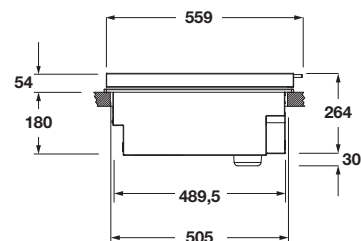
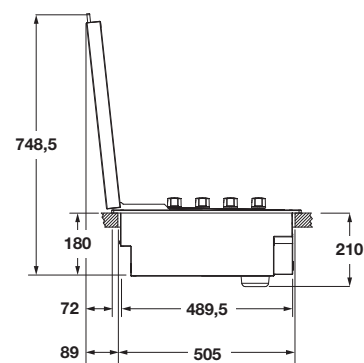
STANDARD LID

**FOBQ LL 1000 MBK**



## STANDARD LID

Matte black steel  
Metal steel handle



MATTE BLACK  
FOBQ LL 1000 MBK

# OUTDOOR BBQ

100 GAS BARBECUE



	FOBQ 1000 G MBK	FOBQ HL 1000 MBK	FOBQ LL 1000 MBK
Type	Built-in barbecue	High lid	Standard lid
Finishing	Matte black	Matte black	Matte black
<b>EXTERIOR</b>			
Knobs material / no.	Steel / 4	-	-
Lid with double level for roasting	-	•	-
Standard lid	-	-	•
<b>INTERIOR</b>			
Teppanyaki (material)	Cast iron	-	-
Grids (material)	Cast iron	-	-
Tubular burners	4	-	-
Internal tub	Black enamel	-	-
Steel handle	-	•	•
<b>FEATURES</b>			
Supply	Gas	-	-
Grids n.	2	-	-
Gastronorm tray to collect liquids	•	-	-
Grid for reheating	-	•	-
Total power of gas burners	15,2 kW	-	-
Electronic ignition	•	-	-
Battery for ignition	•	-	-
Thermometer	-	•	-
Types of gas	NG - LPG	-	-
<b>DIMENSIONS</b>			
Cooking zone width mm	900	-	-
Width mm	1046	920	920
Height mm	189	191	54
Depth mm	540	600	559
Cut-out ( W x H x D ) mm	1025 x 210 x 505	-	-