

OUTDOOR BBQ



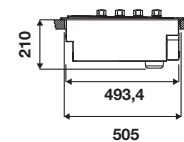
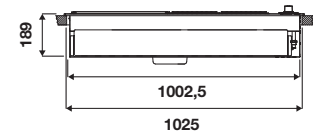
CODE ID

100 GAS BARBECUE

FOBQ 1000 G X



- Gas supply
- Gas safety
- Teppanyaki
- Grill
- Stainless steel griddles



OUTDOOR GAS BARBECUE

AISI 316 stainless steel

PERFORMANCE

4 tubular gas burners, in line, usable with both NG and LPG, Total power 15.2 kW
Grilling and roasting

FEATURES

Metal knobs with lateral position
Electronic ignition (with battery)
2 stainless steel grids (split)
Stainless steel plate (Teppanyaki)
Removable grease collector, oil and cooking residues.

SAFETY

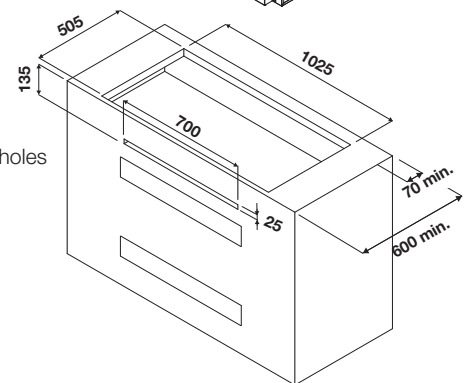
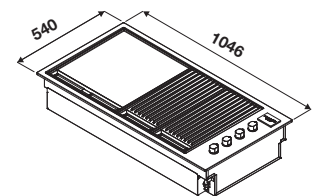
GasProtekt
Gas detection and stop system

OPTIONAL ACCESSORIES

FOBQ GRT X Two stainless steel griddles
FOBQ TY X Stainless steel Teppanyaki
FOBQ LL 1000 X Standard lid
FOBQ HL 1000 X High lid for roasting

Grill and teppanyaki are also available in cast iron

FOBQ GRT CAST Two cast iron griddles
FOBQ GRT H CAST Two cast iron griddles with holes
FOBQ TY CAST Cast iron Teppanyaki



STAINLESS STEEL

FOBQ 1000 G X

OUTDOOR

CODE ID

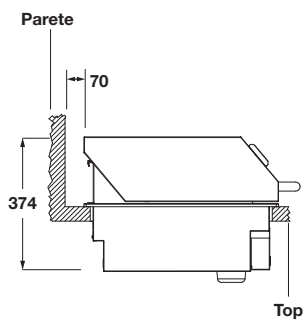
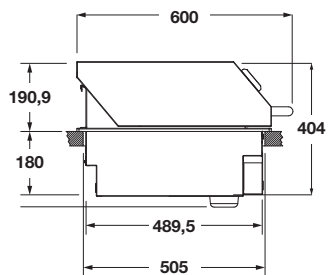
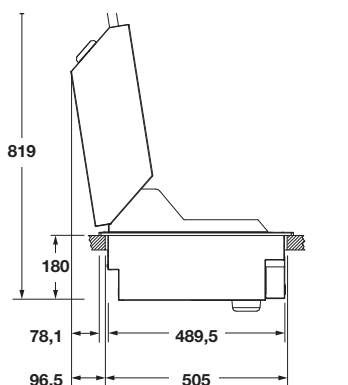
HIGH LID

FOBQ HL 1000 X



HIGH LID

AISI 316 stainless steel
For roasting and keep warm
External thermometer for detection of the cooking temperature
Tubular steel handle



CODE ID

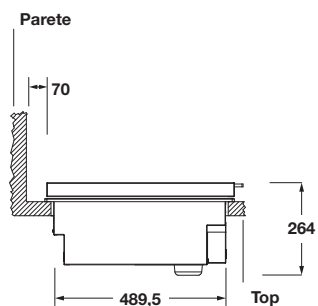
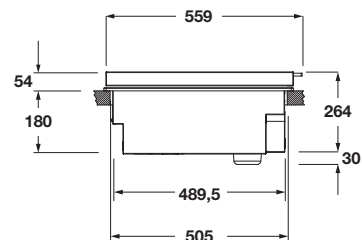
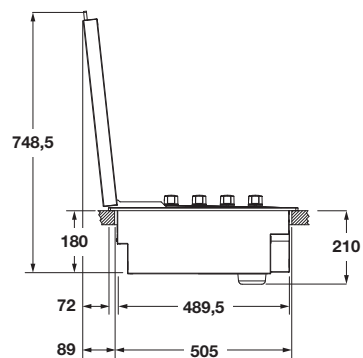
STANDARD LID

FOBQ LL 1000 X



STANDARD LID

AISI 316 stainless steel
Flat metal handle



STAINLESS STEEL
FOBQ HL 1000 X



STAINLESS STEEL
FOBQ LL 1000 X

OUTDOOR BBQ

100 GAS BARBECUE



	FOBQ 1000 G X	FOBQ HL 1000 X	FOBQ LL 1000 X
Type	Built-in barbecue	High lid	Standard lid
Finishing	Stainless steel	Stainless steel	Stainless steel
EXTERIOR			
Knobs material / no.	Stainless steel / 4	-	-
Lid with double level for roasting	-	•	-
Standard lid	-	-	•
INTERIOR			
Teppanyaki (material)	Stainless steel	-	-
Grids (material)	Stainless steel	-	-
Tubular burners	4	-	-
Internal tub	Black enamel	-	-
Steel handle	-	•	•
FEATURES			
Supply	Gas	-	-
Grids n.	2	-	-
Gastronorm tray to collect liquids	•	-	-
Grid for reheating	-	•	-
Total power of gas burners	15,2 kW	-	-
Electronic ignition	•	-	-
Battery for ignition	•	-	-
Thermometer	-	•	-
Types of gas	NG - LPG	-	-
DIMENSIONS			
Cooking zone width mm	900	-	-
Width mm	1046	920	920
Height mm	189	191	54
Depth mm	540	600	559
Cut-out (W x H x D) mm	1025 x 210 x 505	-	-