

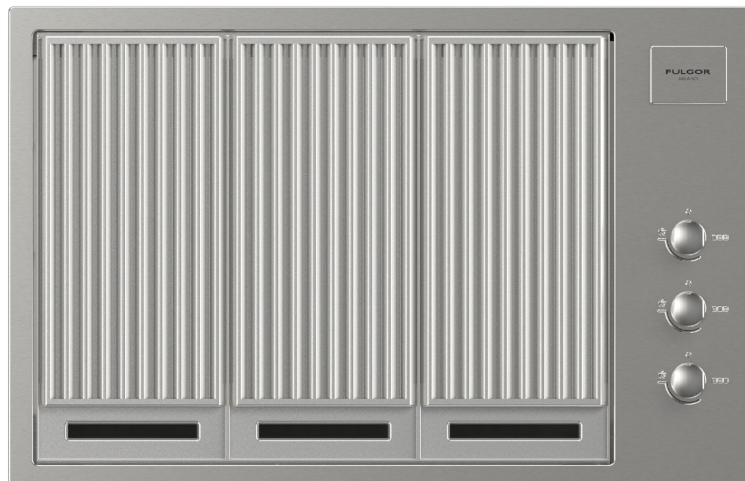
OUTDOOR BBQ



CODE ID

80 GAS BARBEQUE

FOBQ 803 G X



-  Gas supply
-  Gas safety
-  Grill
-  Stainless steel griddles

OUTDOOR GAS BARBECUE

AISI 316 stainless steel

PERFORMANCE

3 tubular gas burners, in line, usable with both NG and LPG, Total power 11.4 kW
Grilling and roasting

FEATURES

Metal knobs with lateral position
Electronic ignition (with battery)
3 stainless steel grids (split)
Removable grease collector, oil and cooking residues.

SAFETY

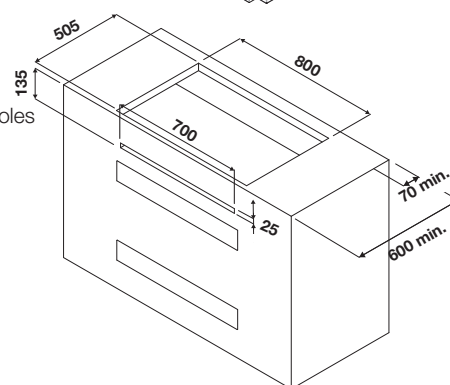
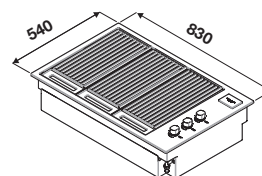
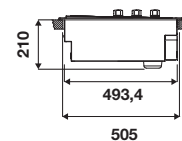
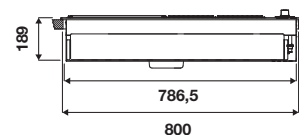
GasProtekt
Gas detection and stop system

OPTIONAL ACCESSORIES

FOBQ 601 TY G X Gas Teppanyaki 60
FOBQ LL 800 X Standard lid
FOBQ HL 800 X High lid for roasting

Grill and teppanyaki are also available in cast iron

FOBQ GRT CAST Two cast iron griddles
FOBQ GRT H CAST Two cast iron griddles with holes
FOBQ TY CAST Cast iron Teppanyaki



STAINLESS STEEL

FOBQ 803 G X

OUTDOOR

CODE ID

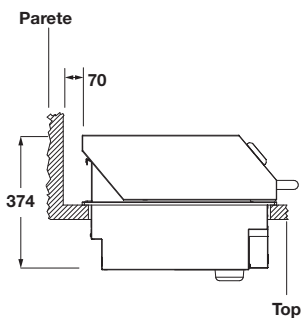
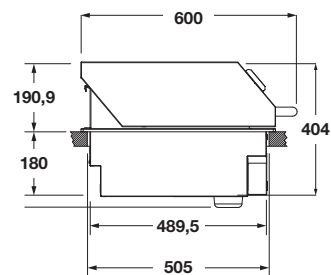
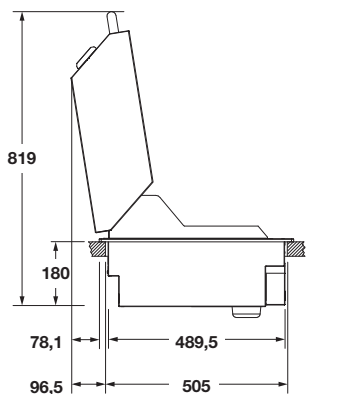
HIGH LID

FOBQ HL 800 X



HIGH LID

AISI 316 stainless steel
For roasting and keep warm
External thermometer for detection of the cooking temperature
Tubular steel handle



STAINLESS STEEL
FOBQ HL 800 X

CODE ID

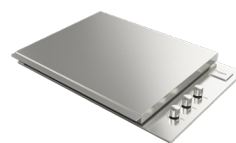
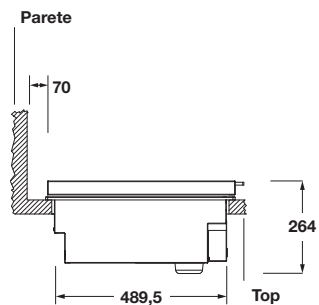
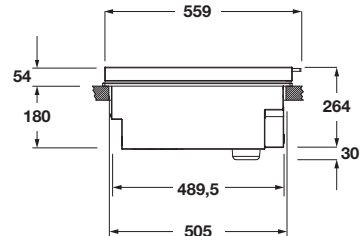
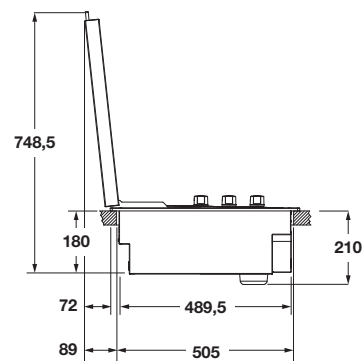
STANDARD LID

FOBQ LL 800 X



STANDARD LID

AISI 316 stainless steel
Flat metal handle



STAINLESS STEEL
FOBQ LL 800 X

OUTDOOR BBQ

80 GAS BARBEQUE



| | FOBQ 803 G X | FOBQ HL 800 X | FOBQ LL 800 X |
|------------------------------------|-------------------|-----------------|-----------------|
| Type | Built-in barbecue | High lid | Standard lid |
| Finishing | Stainless steel | Stainless steel | Stainless steel |
| EXTERIOR | | | |
| Knobs material / no. | Steel / 3 | - | - |
| Lid with double level for roasting | - | • | - |
| Standard lid | - | - | • |
| INTERIOR | | | |
| Teppanyaki (material) | - | - | - |
| Grids (material) | Stainless steel | - | - |
| Tubular burners | 3 | - | - |
| Internal tub | Black enamel | - | - |
| Steel handle | - | • | • |
| FEATURES | | | |
| Supply | Gas | - | - |
| Grids n. | 3 | - | - |
| Gastronorm tray to collect liquids | • | - | - |
| Grid for reheating | - | • | - |
| Total power of gas burners | 11,4 kW | - | - |
| Electronic ignition | • | - | - |
| Battery for ignition | • | - | - |
| Thermometer | - | • | - |
| Types of gas | NG - LPG | - | - |
| DIMENSIONS | | | |
| Cooking zone width mm | 650 | - | - |
| Width mm | 830 | 705 | 705 |
| Height mm | 189 | 191 | 54 |
| Depth mm | 540 | 600 | 559 |
| Cut-out (W x H x D) mm | 800 x 210 x 505 | - | - |