

OUTDOOR BBQ



CODE ID

80 GAS BARBECUE

FOBQ 803 G MBK



Gas supply



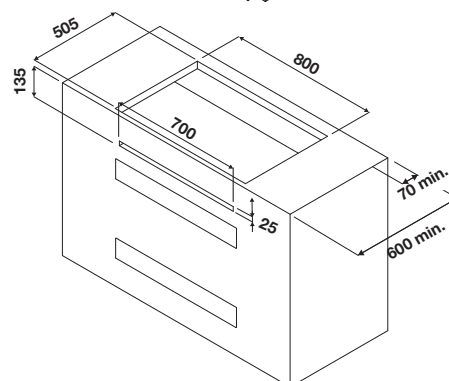
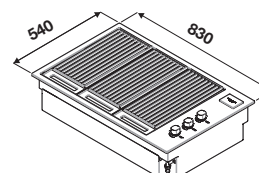
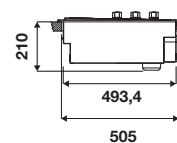
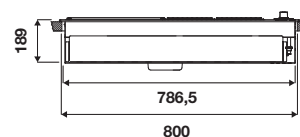
Gas safety



Grill



Cast Iron griddles



OUTDOOR GAS BARBECUE

Matte black enameled

PERFORMANCE

3 tubular gas burners, in line, usable with both NG and LPG, Total power 11.4 kW
Grilling and roasting

FEATURES

Metal knobs with lateral position
Electronic ignition (with battery)
3 cast iron grids
Removable grease collector, oil and cooking residues.

SAFETY

GasProtekt
Gas detection and stop system

OPTIONAL ACCESSORIES

FOBQ GRT CAST Two cast iron griddles
FOBQ GRT H CAST Two cast iron griddles with holes
FOBQ TY CAST Cast iron Teppanyaki
FOBQ LL 800 MBK Standard cover
FOBQ HL 800 MBK High lid for roasting

Grill and teppanyaki are also available in stainless steel

FOBQ GRT X Two stainless steel griddles
FOBQ TY X Stainless steel Teppanyaki



MATTE BLACK
FOBQ 803 G MBK

OUTDOOR

CODE ID

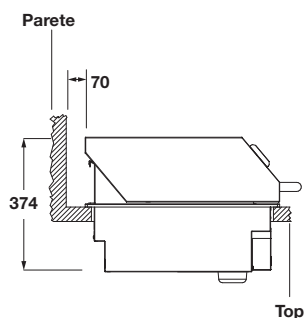
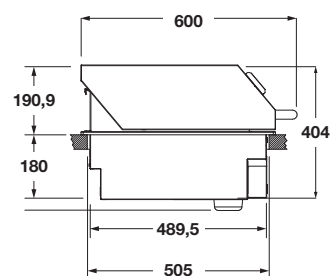
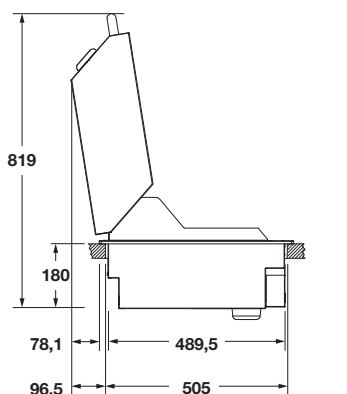
HIGH LID

FOBQ HL 800 MBK



HIGH LID

Matte black steel
For roasting and keep warm
External thermometer for detection of the cooking temperature
Tubular steel handle

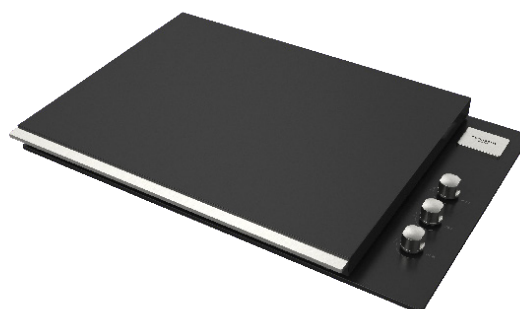


MATTE BLACK
FOBQ HL 800 MBK

CODE ID

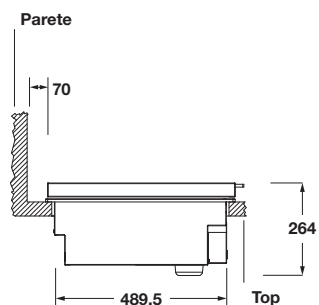
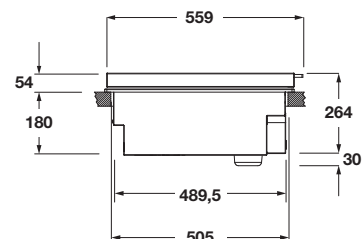
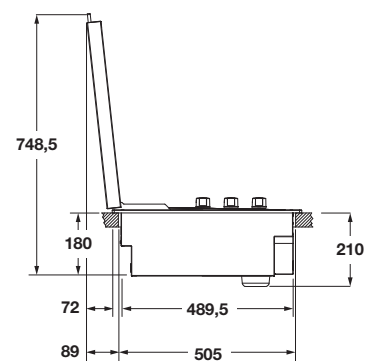
STANDARD LID

FOBQ LL 800 MBK



STANDARD LID

Matte black steel
Flat metal handle



MATTE BLACK
FOBQ LL 800 MBK

OUTDOOR BBQ

80 GAS BARBECUE



	FOBQ 803 G MBK	FOBQ HL 800 MBK	FOBQ LL 800 MBK
Type	Built-in barbecue	High lid	Standard lid
Finishing	Matte black	Matte black	Matte black
EXTERIOR			
Knobs material / no.	Steel / 3	-	-
Lid with double level for roasting	-	•	-
Standard lid	-	-	•
INTERIOR			
Teppanyaki (material)	-	-	-
Grids (material)	Cast iron	-	-
Tubular burners	3	-	-
Internal tub	Black enamel	-	-
Steel handle	-	•	•
FEATURES			
Supply	Gas	-	-
Grids n.	3	-	-
Gastronorm tray to collect liquids	•	-	-
Grid for reheating	-	•	-
Total power of gas burners	11,4 kW	-	-
Electronic ignition	•	-	-
Battery for ignition	•	-	-
Thermometer	-	•	-
Types of gas	NG - LPG	-	-
DIMENSIONS			
Cooking zone width mm	650	-	-
Width mm	830	705	705
Height mm	189	191	54
Depth mm	540	600	559
Cut-out (W x H x D) mm	800 x 210 x 505	-	-