

# ACCENTO PROFESSIONAL 36"

36" DUAL FUEL PROFESSIONAL RANGE



CODE ID



**F4PDF366S1**



Heavy Duty Grates



Continuous Grate Surface



Dual Crescendo Burner



Dual True Convection



Self Clean Oven



Multi-level cooking



Cool Touch Door



Digital Controls

## COLOR KIT

	STAINLESS STEEL
	MATTE BLACK RAL 9004
	MATTE WHITE RAL 9016
	GLOSSY RED RAL 3003

## OPTIONAL ACCESSORIES

ACDKIT36 ...	Colour kit
FMWOK	Wok ring
FMSIM	Simmer plate
F6BG36BCI	Island trim
F6BG36STD	Standard trim
F6BG36HBT	High back trim
FMGRID36	Griddle
FMTRP36	Telescopic rack
F6BG36ISL	1" Island trim

## COOKING SURFACE

3 Heavy Duty, continuous cast iron grates  
One piece, matte finish porcelain burner bowl  
3 Dual-Flame Crescendo Burners  
3 X 18,000 BTU max (NG)  
3 Rapid Burners  
3 X 15,000 BTU max(NG)  
Natural Gas (LP convertible)

## OVEN

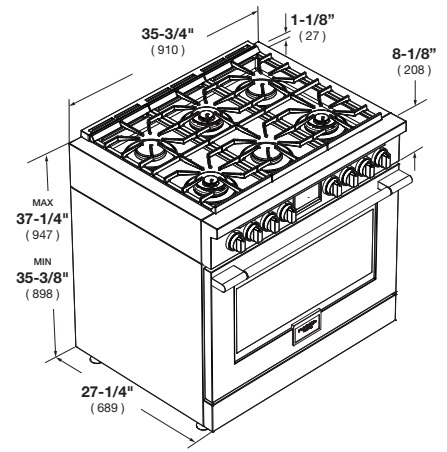
Dual True Convection  
Self-cleaning oven with Multifunction baking  
Black Porcelain enamel interior  
Cool to the touch door  
Extra-large baking cavity and viewing area  
3 Halogen lights for flawless visibility  
Gross capacity 5.7 cu. ft.  
2 chrome racks  
Enameled Broiler Pan

## OVEN FUNCTIONS

Bake  
Broil  
Roast  
Convection  
True Convection  
Dehydrate  
Electronic cooking programmer  
Self-Clean  
Sabbath Mode

# ACCENTO

36" DUAL FUEL PROFESSIONAL RANGE



CODE ID	F4PDF366S1 - 36" DUAL FUEL PROFESSIONAL RANGE		
Series and Finish	400 Series - Professional Design - Stainless Steel		
<b>CONTROL PANEL</b>			
Control Type	Electronic		
Display: Clock - Temperature - Function	White LED		
<b>COOKTOP</b>			
Cooking Surface	Black Enameled		
Type	GAS (NG or LP)		
<b>GAS COOKTOP FEATURES</b>			
	Electric Flame Ignition and Re-ignition	L.P. Conversion Kit	Top Mount Injectors
	Flame-out sensing	Dual Crown Aluminum Burner	Pressure Regulator
Cooking Zones	6		
Burners types	Dual Flame/Rapid Burners		
Power Front L+R (Max/Min)	G20 - 5" (NG)	18000 (BTU/h) - 5300W / 950 (BTU/h) - 275W	
Power Rear L+R (Max/Min)	G20 - 5" (NG)	15000 (BTU/h) - 4400W / 2200 (BTU/h) - 645W	
Power Front Middle (Max/Min)	G20 - 5" (NG)	15000 (BTU/h) - 4400W / 2200 (BTU/h) - 645W	
Power Rear Middle (Max/Min)	G20 - 5" (NG)	18000 (BTU/h) - 5300W / 950(BTU/h) - 275W	
Power Front L+R (Max/Min)	G31 - 10" (LP)	15000 (BTU/h) - 4400W / 950 (BTU/h) - 275W	
Power Rear L+R (Max/Min)	G31 - 10" (LP)	12000 (BTU/h) - 3500W / 2200 (BTU/h) - 645W	
Power Front Middle (Max/Min)	G31 - 10" (LP)	12000 (BTU/h) - 3800W / 2200(BTU/h) - 645W	
Power Rear Middle (Max/Min)	G31 - 10" (LP)	15000 (BTU/h) - 4400W / 950(BTU/h) - 275W	
<b>OVEN</b>			
Oven Type	Electric Pyro		
Temperature Regulation	Multifunction 2 Fans ( True Euro Conv. )		
	Electronic		
<b>OVEN FUNCTIONS</b>			
	Pyrolytic Self-Clean with automatic door latch	Pizza (Lower Convection)	Proof (Warm)
	True European Convection Bake (Multi level)	Bake	Broil
	Dehydrate	Thaw (Defrost)	Convection Broil
	Convection Roast	Oven Lights	Keep warm (Warm Plus)
	Fast Preheat		
<b>ELECTRIC OVEN FEATURES</b>			
	Preset/Last Used Temperature Memory	Preheat bar (25%, 50%, 75%, 100%)	Automatic Fast Preheat
	Child Door Lock	Sabbath Mode	Hour Clock Formats AM/PM
	°F Degree unit		
<b>OVEN DOOR(S)</b>			
Oven Glass Window	Deep Embossed Window		
Door Cooling System	4 Pane Heat Resistant Glasses		
Door Hinges	Heavy Duty Steady Tilt		
Handle Style	Stainless Steel Tube d30mm with Metal terminals		
<b>OVEN CAVITY</b>			
Net Capacity (cbft)	5.7		
Cavity Enamel Color	Black		
Rack Positions	6		
Oven Lights	3x20W Halogen		
<b>HEATING ELEMENTS (@240V)</b>			
Broil Upper Heating Element	3500 W		
Upper Auxiliary Element Wattage	1032 W		
Concealed Bake Lower Heating Element	3000 W		
Convection Element	2 x 1300 W		
<b>OVEN ACCESSORIES</b>			
Chrome Racks	2		
Enameled Grill set ( basin + anti splash )	1		
Telescopic Chrome Rack	Only as optional ACCESSORY		
Meat Probe	Only as optional ACCESSORY		
<b>DIMENSIONS/WEIGHT</b>			
Overall dim - Width	35 - 3/4"	910 mm	
Overall dim - Height (min - max)	35 - 3/8", 37 - 1/4"	898 mm - 947 mm	
Overall dim - Depth	29 - 3/4"	756 mm	
<b>POWER / RATINGS (208/240 V, 60 HZ)</b>			
kW / Amps rating at 120-240V, 60Hz	3.84 kW - 16.9 A		
kW / Amps rating at 120-208V, 60Hz	3.54 kW - 17.5 A		
Power Cable	Nema 14-50P		
<b>INSTRUCTIONS FOR USE</b>			
Use & Care Manual / Installation Manual	English / French / Spanish		