

# FULGOR

## MILANO



BUILT-IN FRIDGE-FREEZER  
FM4BM22FBI

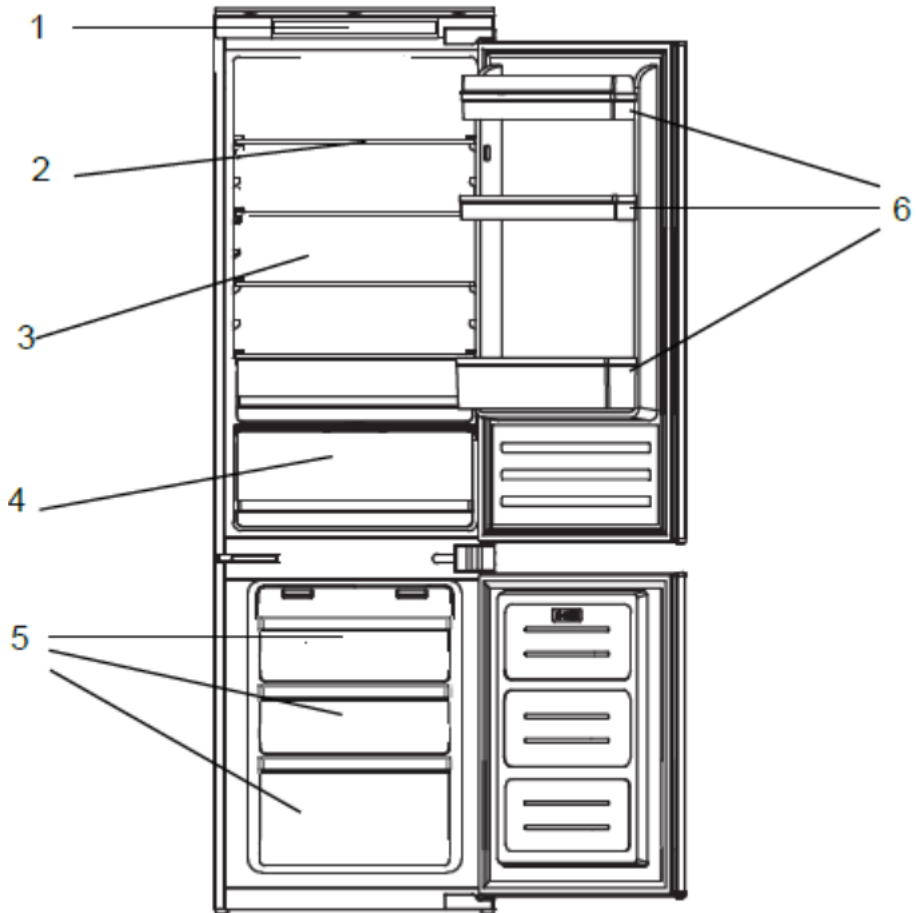
# CONTENT

INPORTANT NOTICE-----	2
ACCESSORIES OF APPLIANCE-----	3
INSTALLATION AND OPERATING CONDITIONS OF THE APPLIANCE -----	4
DOOR REVERSAL-----	6
INSTALLATION INSTRUCTION-----	8
BEFOR/FIRST USE-----	12
STORAGE INSTRUCTION-----	14
CONTROLS-----	16
DE-FROSTING-----	17
CARE AND CLEANING-----	18
TROUBLE-SHOOTING-----	19
WARRANTY-----	20

# IMPORTANT NOTICES

1. Some provisions in this user manual are unified for refrigerating products of different types (for a refrigerator, refrigerator-freezer or freezer) The Manufacturer shall not be held liable for damage arising from the failure to observe the instructions contained in this manual.
2. Keep this manual for future reference, or to pass it over to the next user.
3. The appliance operates properly at the ambient temperature (see product fiche). Do not use it in the cellar, unheated summer cottage during autumn and winter.
4. When placing, moving, lifting the appliance, do not hold the door handles, do not pull the condenser at the rear part of the refrigerator and do not touch the compressor unit.
5. When transporting, moving or positioning the fridge-freezer do not tilt it by more than 40° from the vertical position. Should such a situation occur, the appliance should be switched on after minimum 2 hours from its replacement in the right position.
6. Pull the plug out from the mains socket before each maintenance activity. Do not pull on the cord, but hold the body of the plug instead.
7. The “cracking” sound, which the appliance may emit is caused by the expansion and contraction of parts as a result of temperature variations.
8. For safety reasons do not repair the appliance yourself. Repairs carried out by persons who do not have the required qualifications may result in serious danger for the user of the appliance.
9. Air the room in which the appliance is placed for a few minutes (the size of the room for a product containing isobutane/R600a must be at least 4m<sup>3</sup>) to avoid damage to the cooling system.
10. Do not refreeze partly thawed products.
11. Do not store beverages in bottles and cans, especially carbonated beverages, in the freezer chamber. The cans and the bottles may explode.
12. Do not put frozen products, taken out directly from the freezer (lollies, ice cubes, etc.) into your mouth, their low temperature may cause severe frost-bite.
13. Make sure you do not damage the cooling system, by puncturing the refrigerant pipes in the evaporator or breaking the pipes. The refrigerant is flammable. If the refrigerant makes contact with the eyes, rinse them with clean water and call for medical assistance immediately.
14. This appliance is intended for food storage, do not use it for other purposes.
15. When performing activities, such as cleaning, maintenance or moving, the appliance must be completely disconnected from power supply (by pulling the plug out from the socket)
16. This appliance can be used by children aged 8 years and older or by persons with physical, mental or sensory handicaps, or by those who are inexperienced or unfamiliar with the appliance, provided they are supervised or have been instructed how to safely use the appliance and are familiar with risks associated with the use of the appliance. Ensure that children do not play with the appliance. Cleaning and maintenance of the appliance should not be performed by children unless they are 8 years or older and are supervised by a competent person.
17. Anti-bacteria System (varies depending on the model. Its presence is indicated by the label inside the appliance chamber) - The Anti-bacteria System protects foods and products inside the- refrigerator from bacteria and mould which may cause unpleasant smells and shorten storage time. The Anti-bacteria System prolongs the freshness of food. The special material used to construct the fridge liner prevents bacterial, microorganism and mould growth.

# ACCESSORIES OF APPLIANCE



1 Control panel

2 Glass shelf

3 Air duct panel

4 Crispers

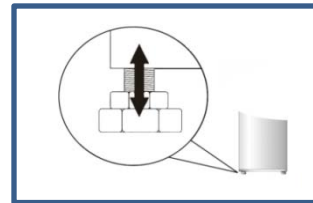
5 Drawers

6 Balconies

# INSTALLATION AND OPERATING CONDITIONS OF THE APPLIANCE

## Installation before using the appliance for the first time

- Make sure there is enough space around the refrigerator to make it work properly. A free space of one centimeter is required on the rear of the equipment so that the air can be circulated to cool the compressor. And 30 centimeters space above the refrigerator.
- Make sure the appliance is placed in a horizontal position by screwing in the 2 adjustable front legs.



## Minimum distances from the heat sources

- - from the electric gas and other ovens - 30 mm,
- - from oil or coal fired ovens - 300 mm,
- - from built-in ovens - 50 mm
- If there is no possibility of ensuring the above- mentioned distances, provide an appropriate insulation board.

# INSTALLATION AND OPERATING CONDITIONS OF THE APPLIANCE

## Connect to the power supply

- Prior to connection, it is recommended to set the temperature control knob to an “OFF” or other position that disconnects the appliance from the power supply (See page with the control description).
- This appliance should be connected to AC 220-240V 50Hz supply socket. The socket must be fitted properly, and must be supplied with an earthing conduit and a 10A fuse.
- It is a legal requirement that the appliance is properly earthed. The manufacturer will not be held liable for any damage or injury which may result from the failure to fulfil this requirement.
- Do not use adapters, multiple sockets and two-wire extension leads. If it is necessary to use the extension lead, it must be equipped with a protection ring and a single socket and must have a VDE/GS safety certificate.
- If an extension lead is used (with a protection ring and safety certificate), its socket must be located at a safe distance, away from the sinks, and must not be in a place where it could be flooded by water or waste water.
- See the type plate at the lower part of the internal wall of the appliance for detailed specifications\*\*.

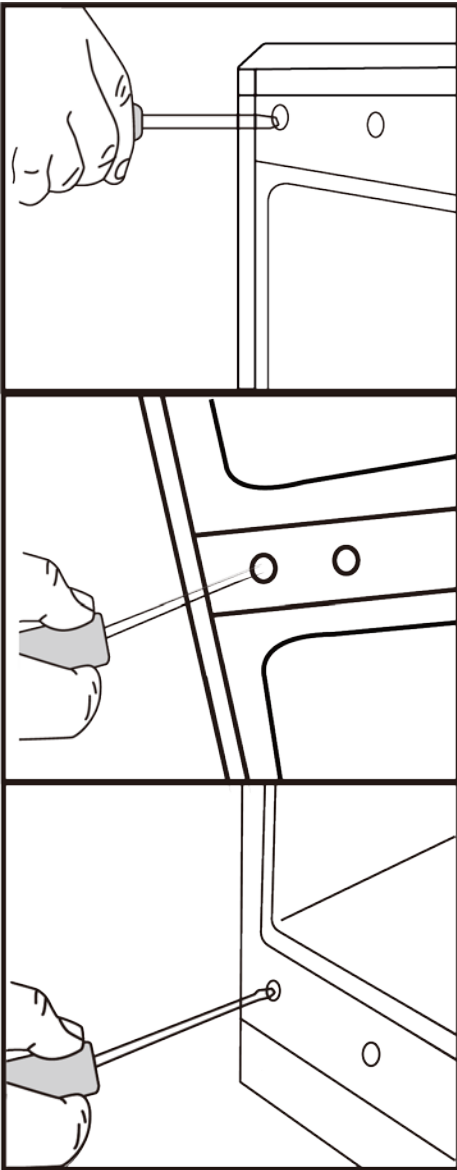
## Disconnect to the power supply

- Make sure the appliance can be easily disconnected from the mains, either by pulling the plug out of the mains socket, or by switching the two-pole switch off.

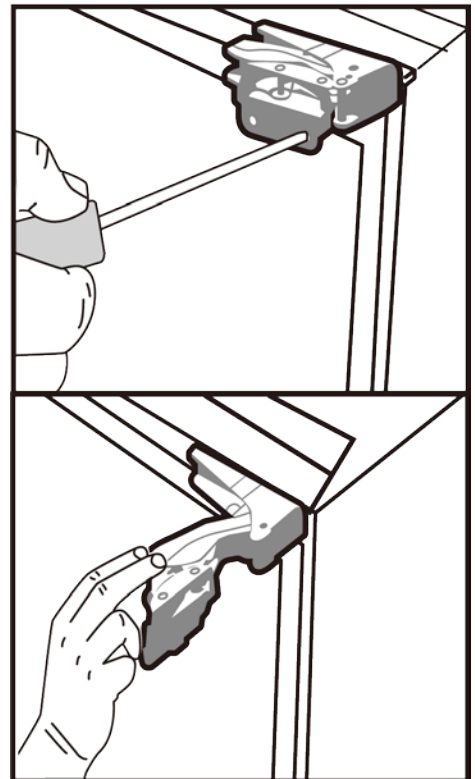
# DOOR REVERAL

## CHANGE THE OPENING DIRECTION OF YOUR PRODUCT 1/2

1. Remove the screw caps on the front of the product.



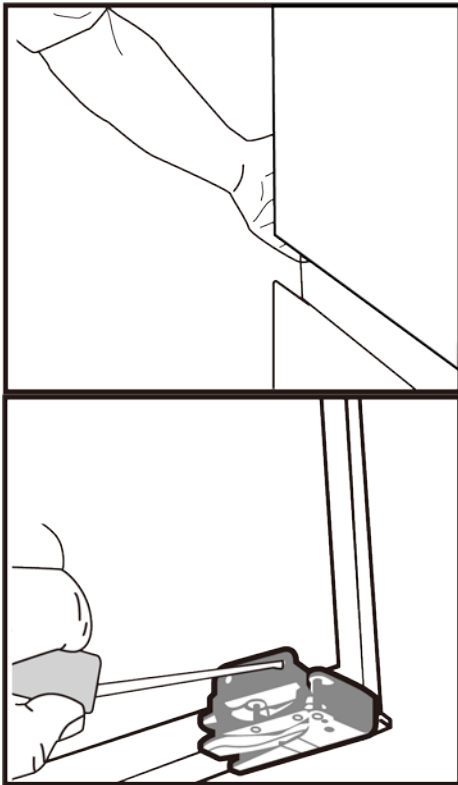
2. With the door closed remove the screws from the top and bottom hinges that hold the appliance door to the hinges. Remove the screws from the top hinge first.



# DOOR REVERSAL

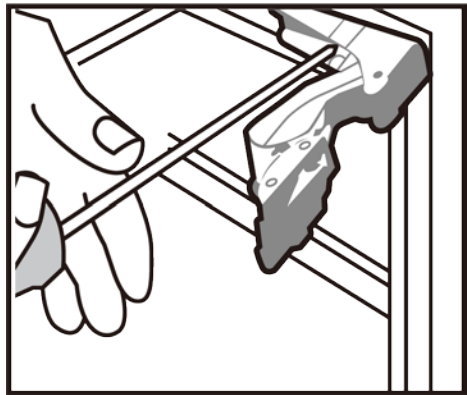
## CHANGE THE OPENING DIRECTION OF YOUR PRODUCT 2/2

3. Support the door at the bottom and open the hinges away from the appliance door. Carefully lift the appliance door away, ensuring you don't damage the hinges or the door.

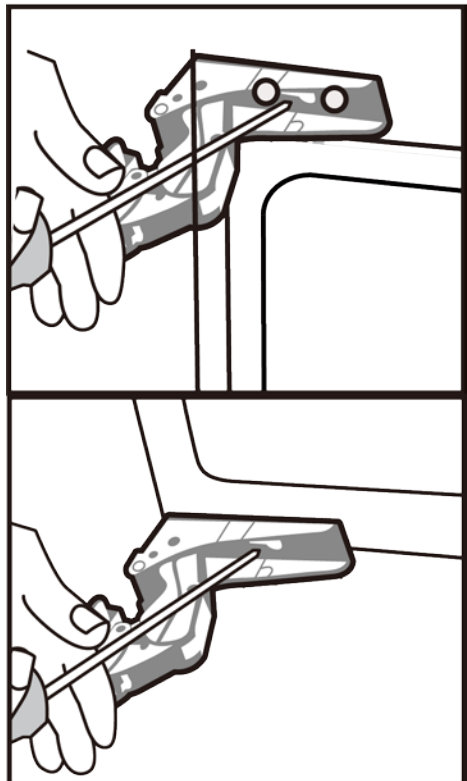


4. Use the same way to remove the other doors(if applicable)

5. With the top hinge open, remove the screws from the top hinge that fix the hinge to the cabinet of the appliance.



6. Flip over the top hinge (by 180°) and fix it in place on the diagonally opposite corner of the appliance cabinet. Reattach the door by fixing the outside screws of the hinge to the door.

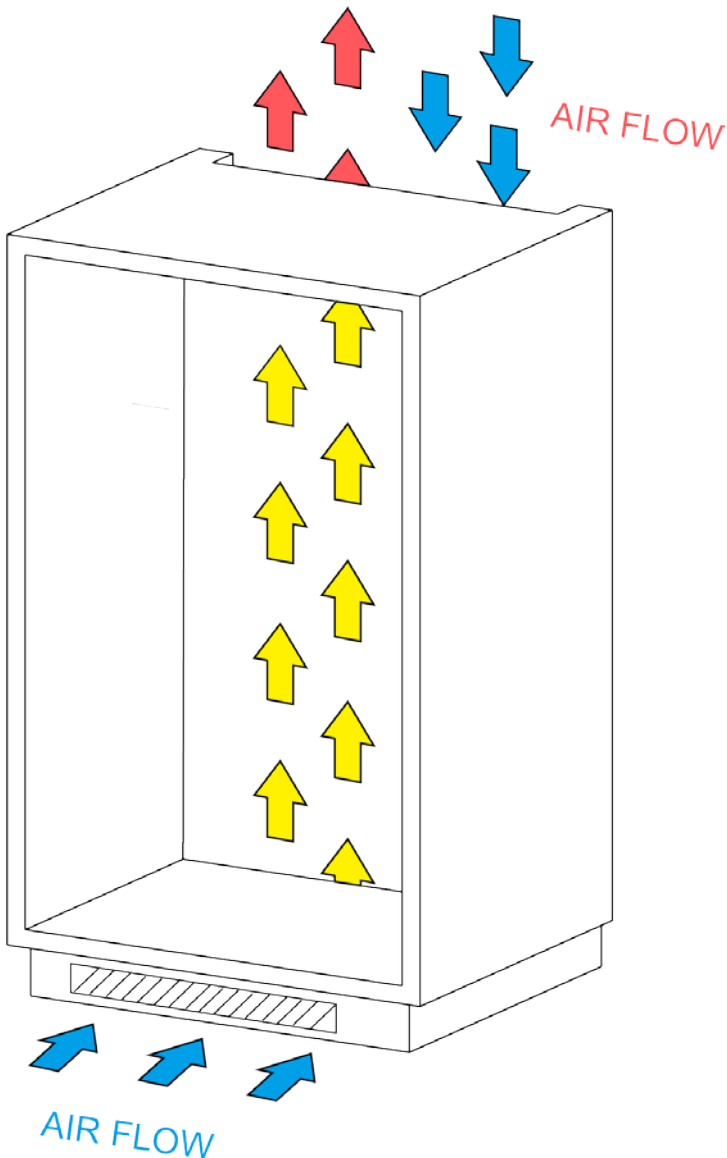




# INSTALLATION INSTRUCTION

The main consideration when installing any refrigeration unit into a fitted kitchen is ventilation. The heat removed from the Cooling compartment needs to be dissipated into the atmosphere. Incorrect ventilation can lead to premature compressor failure, excessive power consumption, total system failure and may invalidate the warranty provided with the appliance.

For products intended to be installed into a tall housing unit, the following requirements need to be met:



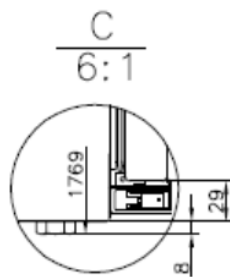
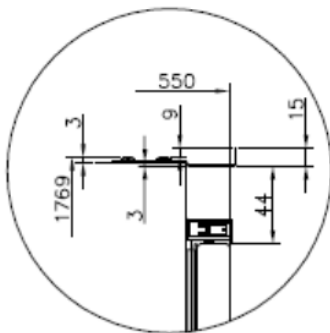
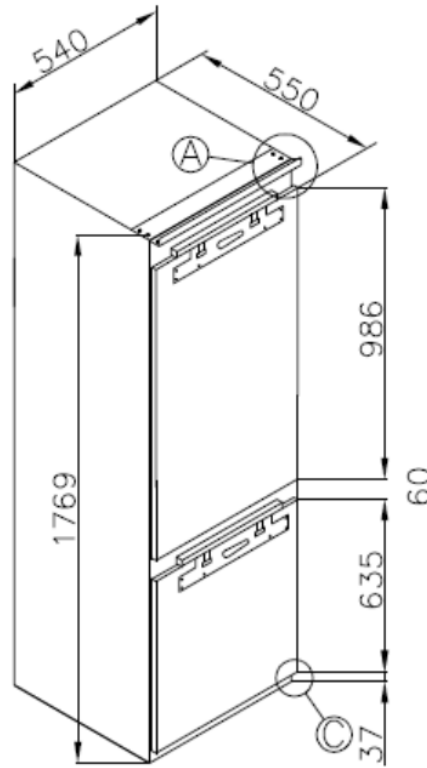
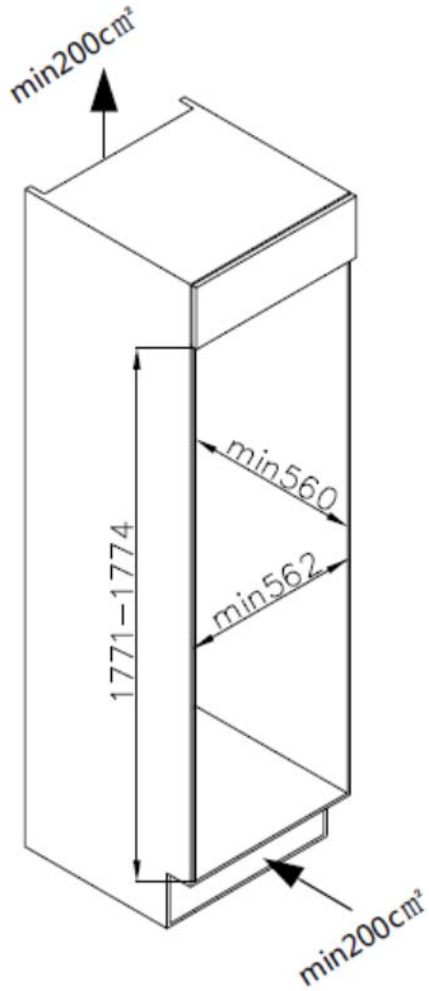
An air passageway should be provided in the top of the cabinet run to allow free air in and out.

There should be space at the rear of the cabinet to allow cool air to be drawn over the condenser.

A cutout should be made in the plinth below the fridge/- freezer and this finished neatly using the air vent grille. Alternatively, a thin section of the plinth can be removed to allow air into the unit (recommended 600mm x 10mm)

# INSTALLATION INSTRUCTION

## REQUIRED CAVITY DIMENSION



# INSTALLATION INSTRUCTION

Push the appliance carefully into the kitchen, make sure the appliance is in the central position of the cavity. Following the below steps to fit the decor door, ensuring the door can be open and close properly then tighten the screws on the top, hinge side and the bottom.

## Fig. 2 - Fitting the decor door bracket

Remove the white decorative cover (Fig. 1) by lifting it upwards.

Obtain the below measurements:

**Dimension B= Measure from the underside surface of kitchen unit to the bottom of fixing bracket.**

**Dimension C= Measure from the underside surface of kitchen unit to the top of next unit door.**

Unscrew and remove the nuts and washers from the top of the appliance door to remove the bracket.

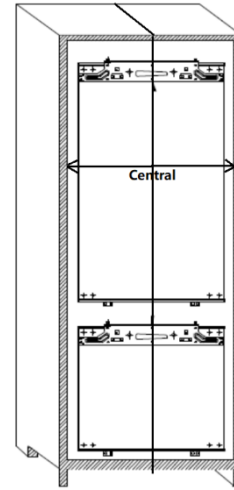
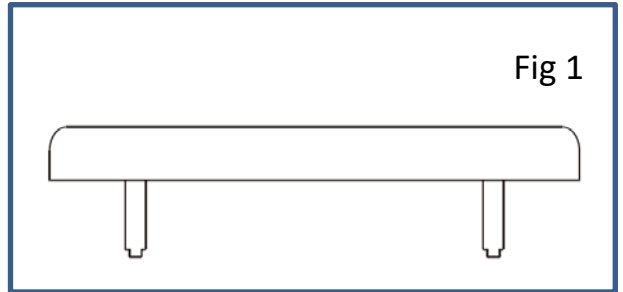


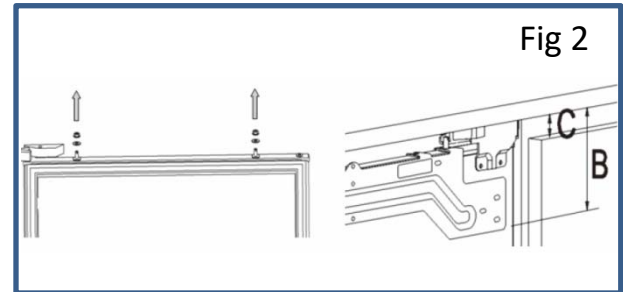
Fig 1



## Fig. 3 - Fitting the decor door bracket

Subtract C from B and put the fixing bracket (2) in place using this measurement for vertical position and place to the centre for horizontal position. Secure the fixing bracket (2) using screws(1).

Fig 2



## Fig. 4 - Fitting the decor door

Place the decor door onto the appliance door by inserting adjustment bolts into the slots on the fixing bracket. Locate the washers and screw the nuts onto the adjustment bolts.

Fig 3

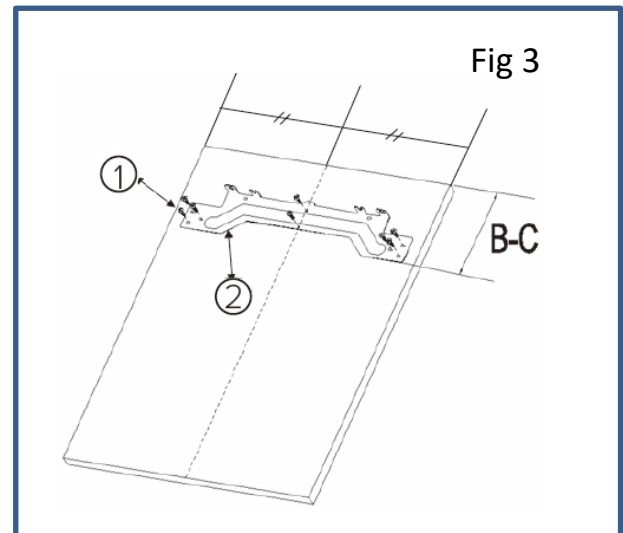
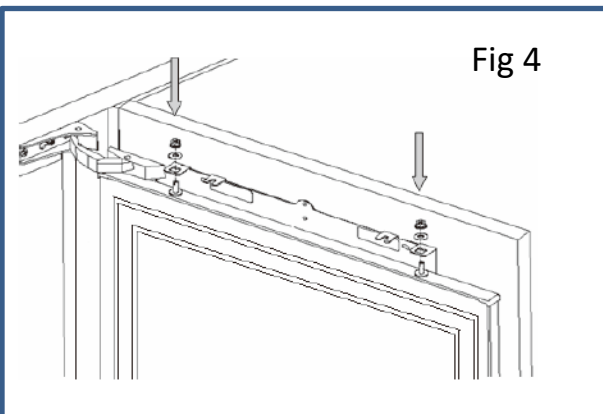


Fig 4



# INSTALLATION INSTRUCTION

## Fig. 5 - Aligning the decor door

Close the door and check the alignment with the other unit doors. Adjust the decor door by screwing or unscrewing the adjustment bolts for vertical adjustment and by the help of the slots on the fixing bracket for other directions. Lock the screws into place as shown in Fig. 5.

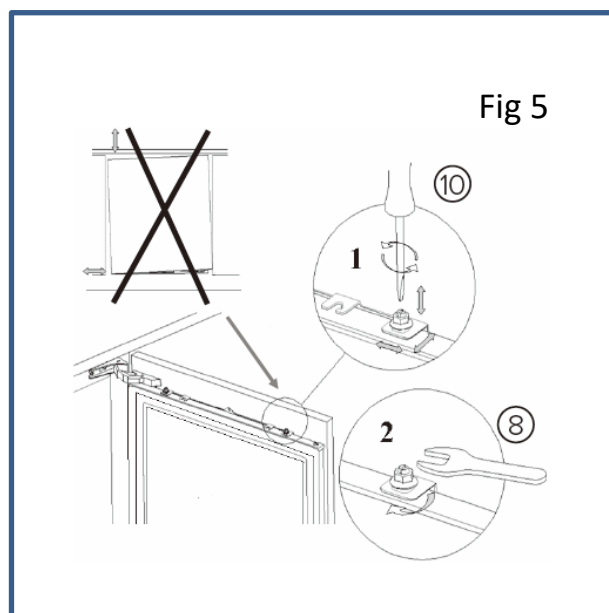
## Fitting the decor door base fixings

With the appliance door open, locate the metal decor door base fixing brackets and screw the fixings to the decor door. You may need to remove and re-fit these brackets depending upon the decor door used.

## Fitting the decorative cover

Re-fit the decorative cover, that you removed in the first step, on to the decor door fixing bracket.

Check that the whole door assembly operates smoothly and that the door seal of the freezer is still creating a seal.



## Ensuring the door seals correctly:

It is normal for the seal to be compressed after the door has been reversed.

With the door closed, use a hair dryer to expand the seal and fill the gap between the door and the body of the appliance.

Take care not to use the hair dryer too close to the appliance, which could damage the seal. A distance of approximately 10cm should be adequate.

When completed, allow the seal and door to cool before touching them. Once done, the seal will remain in position.

# BEFORE USE

## Before first use

You must allow the fridge to settle for at least twenty four hours prior to switching the power on.

It is recommended that you clean the interior of the appliance prior to first use, using a solution of bicarbonate of soda and warm water and then thoroughly drying the interior. The fridge may have an odour to it at first use. This will disappear as the appliance cools.

## Please note:

The appliance will start 5°C for fridge and -18°C for freezer and work continuously until it comes down to the correct temperature. If the appliance is switched off, you should allow five minutes before switching it on again to prevent unnecessary damage to the compressor. Never store inflammable or explosive items and strong corrosive acids or alkalis in the appliance. This fridge cools your food by making the inside back of the cavity cold. It is normal for frost to build up on this surface; it then dissipates and drains through a small drain at the bottom, where it evaporates harmlessly. The presence of frosting at the back is not a malfunction of the fridge.

# FIRST USE

## Fridge use

1. Never put liquids in the refrigerator uncovered.
2. Never put hot foods in the refrigerator. Warm food should be allowed to cool to room temperature before being put into the refrigerator.
3. Nothing should rest against the rear wall of the refrigerator, as this will cause frost and possible condensation problems which will be difficult to remove.
4. Make sure food is clean and any extra water is wiped away before putting into the fridge.
5. Wrap or cover food before putting into the fridge. This will help prevent the loss of moisture, keep food fresh and avoid unpleasant odours.
6. Any foods to be used soon should be stored at the front of the shelf to prevent deterioration caused by the door being open for prolonged periods.
7. Do not overfill the fridge. There should be sufficient space between the foods to allow the cool air to circulate.
8. Thawing frozen foods in the fridge compartment will help to keep the temperature low and save energy.
9. Never store raw meats on shelves above cooked meats or other produce. This will help to prevent juices from raw meat contaminating other foodstuffs.

## Freezer use

1. The freezer compartments are designed to store only frozen food.
2. Never put hot or warm foods in the freezer, allow them to cool fully before putting them into the freezer.
3. Follow the instructions on the food packaging for storage of frozen food. If no information is provided, foods should not be stored for more than three months after the purchase date.
4. Store food in small packages (ideally less than 1kg). This reduces the freezing time and improves the quality of the food after thawing.
5. Wrap food before putting into the freezer. To stop the wrapping sticking together, ensure it is dry.
6. Label the food before freezing with information including type of food and dates of storage and expiry.
7. Once food is thawed, it must not be refrozen. Only defrost as much food as is required to prevent wastage.
8. Bottled or canned drinks should not be stored in the freezer compartments as they could explode.
9. The maximum amount of fresh food that can be frozen within a 24 hour period is 3.0 kg.
10. Do not attempt to freeze more than the maximum amount.

# STORAGE INSTRUCTION 1/2

The fridge section is for short term food storage. Although low temperatures can be maintained, extended periods of food storage is not recommended.

As the cold air circulates within the fridge, the temperature can vary between the different sections. As such, foods should be stored in different sections according to type.

1. Butter, cheeses etc.
2. Food in jars and bottles
3. Drinks, e.g. milk
4. Cooked food
5. Yogurts, preserves etc.
6. 75cl bottles or ready meals etc.
7. Fresh meat and fish
8. Fruit and vegetables



- The fridge shelves can be moved according to the storage requirements within the fridge section.
- To move the shelf, lift up the rear section and then pull it outwards.
- To replace, slide the shelf back into the slot, and then lower the rear section.

## Fridge storage

- ◆ Never put liquids in the refrigerator uncovered.
- ◆ Never put hot foods in the refrigerator. Warm food should be allowed to cool to room temperature before being put into the refrigerator.
- ◆ Nothing should rest against the rear wall of the refrigerator, as this will cause frost and possible condensation problems which will be difficult to remove.
- ◆ Make sure food is clean and any extra water is wiped away before putting into the fridge.
- ◆ Wrap or cover food before putting into the fridge. This will help prevent the loss of moisture, keep food fresh and avoid unpleasant odours.
- ◆ Do not overfill the fridge. There should be sufficient space between the foods to allow the cool air to circulate.
- ◆ Thawing frozen foods in the fridge compartment will help to keep the temperature low and save energy.
- ◆ Never store raw meats on shelves above cooked meats or other produce.

## Freezer storage

- ◆ The freezer compartments are designed to store only frozen food.
- ◆ Never put hot or warm foods in the freezer, allow them to cool fully before putting them into the freezer.
- ◆ Follow the instructions on the food packaging for storage of frozen food. If no information is provided, foods should not be stored for more than three months after the purchase date.
- ◆ Store food in small packages (ideally less than 1kg). This reduces the freezing time and improves the quality of the food after thawing.
- ◆ Once food is thawed, it must not be refrozen. Only defrost as much food as is required to prevent wastage.
- ◆ Bottled or canned drinks should not be stored in the freezer compartments as they could explode.
- ◆ The maximum amount of fresh food that can be frozen within a 24 hour period is 3.0 kg.
- ◆ Do not attempt to freeze more than the maximum amount.

# STORAGE INSTRUCTION 2/2

## Fresh zone

- ◆ The fresh zone means that you can control the temp. inside the fresh zone independently.
- ◆ Temperature ranges of fresh zone from  $-2^{\circ}\text{C}$  to  $3^{\circ}\text{C}$ .
- ◆ The fresh zone is designed to make it easier to handle ingredients in a short period of time when you have to handle frozen foods.
- ◆ Zero-degree biological preservation technology make the refrigerator contain a relatively stable, independent, very close to  $-3^{\circ}\text{C}$ , but not less than  $-3^{\circ}\text{C}$  fresh-keeping compartment, and maintain the temperature of the fresh zone sequentially ensure that not to frostbite the food, so that the food will not be frozen and keep fresh for a period of time.
- ◆ Suggestions for use: It is recommended to store fresh fish, fresh meat and dried fruit in condition of  $-2^{\circ}\text{C}\sim 0^{\circ}\text{C}$ . Put the frozen ingredients into the fresh zone 4-5 hours before use, you can cut or cook frozen foods effortlessly and enjoy a more modern, faster and healthier cooking experience.
- ◆ It is recommended to store vegetables and fruits in condition of  $0^{\circ}\text{C}\sim 3^{\circ}\text{C}$ .
- ◆ Note: If you want to put easy-drying ingredients such as meat into the zero temperature zone for more than 4 hours, you should use plastic wrap to wrap the ingredients to avoid excessive moisture loss and affect the taste.

## Crisper drawer humidity adjustment

- ◆ The crisper drawer within this appliance features a humidity level adjustment slider. Vegetables and similar produce that are subject to wilting (e.g. arugula, spinach leaves, herbs such as basil etc.) should be kept in the crisper drawer and the adjustment slider kept closed (fully to the left - high). By keeping the adjustment slider closed, water vapour is held in the drawer and subsequently greens are kept crisper and fresher for longer.
- ◆ By contrast, fruits that are susceptible to rotting should be stored in the crisper drawer with the humidity adjustment slider fully open (to the right - low). This will allow gases, emitted by certain produce and that accelerate the rotting process, to exit the crisper drawer.
- ◆ The drawer is marked high and low with vegetable and fruit symbols to aid you.

### Note:

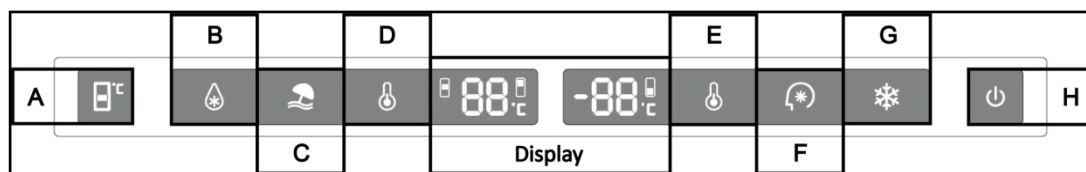
The fridge shelves can be moved according to the storage requirements within the fridge section.

To move the shelf, lift up the rear section and then pull it outwards.

To replace, slide the shelf back into the slot, and then lower the rear section.



# CONTROLS



1. First time of switching on the appliance or re-supply after power failure, the appliance always works at settings : 5°C for fridge, 0°C for Fresh zone and -18°C for freezer. If you want to adjust the temperature or functions manually, press any button to rouse up the control panel, then operations can be conducted.
2. Fridge temperature adjustment –press button **D** on left part of control panel to achieve different temperatures from 2°C to 8°C.
3. Freezer temperature adjustment –press button **E** on right part of control panel to achieve different temperatures from -15°C to -25°C.
4. Fast cooling function –Press button **B** , light of button illumines and fast cooling function is turned on, fridge starts to work automatically at temperature setting 2°C and quits after 2.5 hours, light of symbol eliminates.
5. Holiday function – Press button **C**, light of button illumines, holiday function is turned on and whole appliance starts to work automatically at settings: fridge at 17°C and freezer at -18°C. Fresh zone works at 17°C.
6. Smart function – Press button **F** on control panel, smart function is turned on and button illumines, fridge compartment works at setting 5°C and freezer compartment works at setting of -18°C. The Fresh zone works at setting of 0°C.
7. Fast freezing function – Press button **G**, light of button illumines and freezer start to work at fast freezing function, temperature setting -25°C. After 6 hours, fast freezing function quits automatically.
8. Press button **H** for 3 seconds to switch off your appliance and the button illumines, power is cut off. Internal lamps eliminates, compressor stops working. Press the button **H** for 3 seconds to switch on your appliance, the symbol illumined and power is connected again.
9. Press the button **A** to temporary turn the display section corresponding to the fresh zone, press the button **A** again to adjust the temperature. Temperature ranges of fresh zone from -2°C to 3°C.
10. On the no frost models, there is a function: compulsive defrosting. Press the buttons **D/E + H** for 5 seconds to switch on the compulsive defrosting function to clean the freezer evaporator and digitals of freezer temperature shine. Press the button **D/E + H** 3 seconds to switch off the compulsive defrosting function, and the digitals of freezer temperature eliminate.
11. Fault display

This appliance has 'fault display & alarm' function. Once the sensors got fault, there are alarms displayed on the temperature displaying, the appliance still cools but professional service engineer should be called and check the appliance.

F1 – Sensor of fridge evaporator

F2 – Sensor of fresh zone

F3 – Sensor of fridge apartment

F4 – Sensor of freezer compartment

F5 – Sensor of defrosting

2E – Fault of fan/motor in freezer

EC – Communication fault between main panel and display panel.

PS: Main board locates in compressor compartment

# DE-FROSTING

The product has a no frost system which is designed to prevent the heavy build up of ice. Under normal use, there should be no need to regularly defrost the freezer system.

**Please note: If you are regularly finding a heavy build up of ice, or pools of water, in the freezer section then it is likely that the door is not sealing properly. This could be due to a defective door seal or an incorrectly fitted, or overly heavy, decor door. For more information see the troubleshooting section on ice.**

# CARE AND CLEANING

Always disconnect the appliance from the power supply before any cleaning or maintenance.

The fridge and freezer sections should be cleaned using a solution of bicarbonate of soda and lukewarm water. Do not use abrasive products or detergents. After washing, rinse and dry thoroughly.

Clean the shelves and balconies separately by hand with a mild solution of washing up liquid and water. Do not put them in the dishwasher.

If the appliance is not to be used for prolonged periods of time, unplug and clean the appliance. The doors should be left slightly ajar to prevent the formation of mildew and unpleasant odours.

# TROUBLE-SHOOTING

If you have any problems with your appliance, you should check the troubleshooting prior to calling Customer Care.

## **If the appliance is not working, check:**

- ☒ That there is power to the appliance.
- ☒ The house fuses are intact and the fuse in the plug has not blown.
- ☒ The fridge has not been turned off.
- ☒ The plug socket is functioning fine. To check this, plug another electrical appliance in to see if the socket is faulty.

## **If the appliance is working, but not very well, check:**

- ☒ The appliance is not overloaded.
- ☒ The thermostat is set to an appropriate temperature.
- ☒ The doors are closing properly.
- ☒ The cooling system at the rear of the appliance is clean and free of dust, and not touching the rear wall.
- ☒ There is enough ventilation at the side and rear walls.

## **If the appliance is noisy, check:**

- ☒ The appliance is level and stable.
- ☒ The side and rear walls are clear, and there is nothing resting on the appliance.
- ☒ Note: The cooling gas in the refrigerator may make a slight bubbling or gurgling noise, even when the compressor is not running.

## **If the appliance is beeping, check:**

- ☒ That the doors are closed. An alarm will sound after 60 seconds of a door being open.

## **If ice has formed on the back wall of the fridge:**

- ☒ It is normal for some ice droplets to form on the back wall of the fridge. This does not constitute a fault with the appliance.
- ☒ Ensure that no items inside the fridge are in contact with the back wall.
- ☒ Check that there is some resistance when opening the door of the appliance. If it opens at the slightest touch it may mean that the door seal needs to be replaced.
- ☒ Check the door seal for any kinks, debris or damage. If you notice any, and are unable to resolve the issue yourself, contact Customer Care so that the seal can be replaced.
- ☒ This can be due to the decor door(s) not being properly fitted. If you are at all unsure, ask your fitter to check the decor doors.

## **If excessive ice has formed in the freezer:**

- ☒ Check that there is some resistance when opening the door of the appliance. If it opens at the slightest touch it may mean that the door seal needs to be replaced.
- ☒ Check the door seal for any kinks, debris or damage. If you notice any, and are unable to resolve the issue yourself, contact Customer Care so that the seal can be replaced.
- ☒ This can be due to the decor door(s) not being properly fitted. If you are at all unsure, ask your fitter to check the decor doors.

## **If one or more of the LED units within the appliance is not working:**

- ☒ Contact Customer Care to arrange a service visit.

# WARRANTY

For all the details regarding warranty, please go visit: [www.fulgor-milano.us](http://www.fulgor-milano.us)

To obtain service under this warranty you must:

1. Contact Fulgor-Milano Authorized Service

**For all of North America:**

Website: <http://www.thevettagroup.com/servicerequest.a5w> In Eastern Canada (Ontario->East)

Email: [service@distinctive-online.com](mailto:service@distinctive-online.com)

Phone: 1-800-361-0799

**In Western Canada (Manitoba<-West)**

Emails: [service@pacificspecialtybrands.com](mailto:service@pacificspecialtybrands.com)

Phone: 1-877-430-5253 x106

**In the USA**

Email: [fulgor@appliances-support.com](mailto:fulgor@appliances-support.com)

Phone: 1-855-4-fulgor (1-855-438-5467)

2. Provide a copy of your original sales receipt along with model number and serial number information for the product.

3. Provide Fulgor Milano reasonable opportunity to investigate the claim before the Product or any component of the Product has been modified and removed.

# FULGOR

## MILANO

[www.fulgormilano.us](http://www.fulgormilano.us)  
[info@fulgormilano.us](mailto:info@fulgormilano.us)