

REFRIGERATION







CODE ID

BUILT-IN SINGLE DOOR REFRIGERATOR

FBR 300 F ED



-  Digital display
-  Led lighting
-  Reversible Door
-  Integrated

SINGLE DOOR REFRIGERATOR 60

Energy class E

PERFORMANCE

Total gross capacity 320 litres
Automatic defrosting
Climatic class SN-T

FEATURES

Digital display
Temperature control
LED interior lighting
6 Glass shelves
2 Fruit and vegetable drawers
5 Balconies in the counter door
Metal bottle rack
Eggs rack
Sliding door system
Reversible door

SECURITY

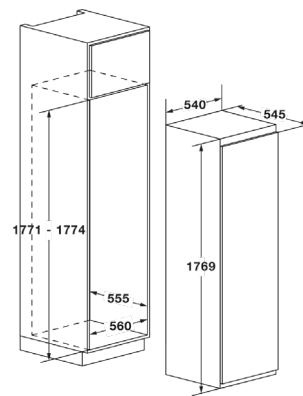
Temperature warning light



SINGLE DOOR REFRIGERATOR
FBR 300 F ED

REFRIGERATION

BUILT-IN SINGLE DOOR REFRIGERATOR



FBR 300 F ED	
Type	Single door
Installation	Built-in
Door fixing	Sliding
Reversible hinging	•
PERFORMANCE	
Total gross volume	320 L
Total net volume	316 L
Energy efficiency class	E
Energy consumption (KWh / year) based on standard 24 hour test results *	114
Climatic class	SN-T
Sound level dB (A) re1pW	41
GENERAL FEATURES	
Electronic control	•
Digital display	•
Adjustable temperature	•
Temperature indicator	•
Lighting	LED
No. compressors / type	1/Inverter
Refrigerant gas	R600a
FRIDGE COMPARTMENT	
Cooling system	Dynamic
Defrost	Automatic
Glass shelves	6
Egg container	•
Fruit and vegetable drawer	•
Net fridge volume	316 L
ELECTRICAL FEATURES	
Max power input at 220 V	176W
Power supply (V / Hz)	220-240 / 50-60
Schuko plug	•
WEIGHT, DIMENSIONS	
Weight kg	58
Height mm	177
Width mm	540
Depth mm	550
Built-in compartment (HxWxD) mm	1775x560x560