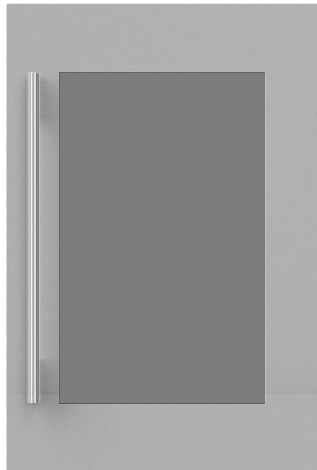


WINE CELLAR

CODE ID

WINE CELLAR 88

FWC 8800 TC BKX



Digital Touch Display



Reversible door



40 Bottle Capacity



Two temperature zones



LED lighting

WINE CELLAR 88

Stainless Steel Aesthetics
Reversible door opening

FEATURES

Digital Touch Display
Capacity 40 bottles Ø 76 mm
Two Temperature Zones
Adjustable temperature from 5 to 20°C
Ventilated Cooling
LED interior lighting

SECURITY

Control light
AntiVibration system
AntiCondensation System
AntiUV Insulating Glass

STANDARD ACCESSORIES

5 Sliding Beech Wood Shelves
including a Champagne Shelf (4 bottles).
1 Fixed Bottom Shelf



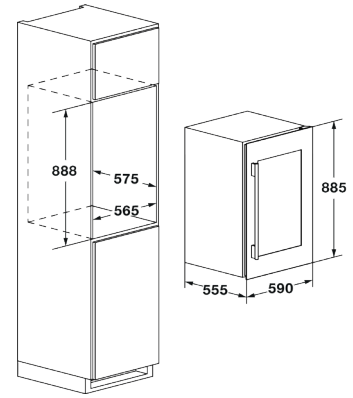
STAINLESS STEEL
FWC 8800 TC BKX



BLACK GLASS
FWC 8800 TC GBK

WINE CELLAR

WINE CELLAR 88



FWC 8800 TC ...	
Type	Wine cellar
Installation	Built-in
Bottles capacity up to no. (Ø 76 mm)	40
Door finishing	Stainless steel BKX Black glass GBK
Reversible door opening	•
PERFORMANCE	
Cooling system	Dynamic
Temperature zones	2
Adjustable temperature ° C (upper zone)	From +5 To +20
Adjustable temperature ° C (Lower zone)	From +5 To +20
Energy efficiency class	G
Anti-vibration system	•
Anti-condensation system	•
Climate class	SN-T
Sound level dB (A) re1pW	40
CONTROL SYSTEM	
Electronic control	•
Touch digital display	•
Automatic dual circuit hot/cold	•
Control indicator light	•
ACCESSORIES	
Anti-UV insulating glass	•
Light type / no.	LED
Wood shelf no./type	5 / Beech
Shelf for champagne (4 bottles)	•
Sliding shelves	5
ELECTRICAL FEATURES	
Max power input at 220 V	160W
Power supply (V / Hz)	220-240 / 50
Schuko plug	•
DIMENSIONS	
Height mm	885
Width mm	590
Depth mm	555
Built-in compartment (HxWxD) mm	888x565x575