

BUILT-IN FREEZER 24"

24" STAINLESS STEEL EXTERIOR BUILT-IN FREEZER



CODE ID

F7SFC24S1-R (RIGHT HINGE)

CODE ID

F7SFC24S1-L (LEFT HINGE)



RIGHT HINGE



LEFT HINGE



Deep-freezing



Total No Frost



LED lighting



Integrated Installation



Holiday Mode



Ice Maker



Sabbath Mode

Features

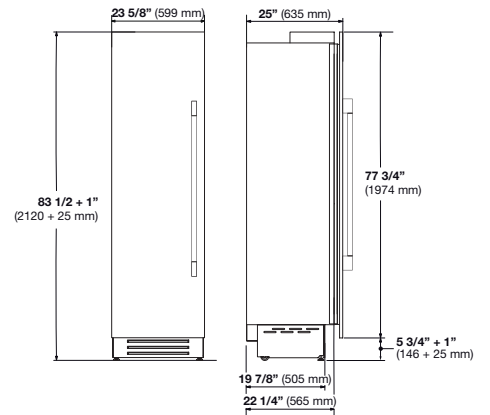
Our column freezers are both powerful, elegant and provide commercial grade performance. With an elegant 304 stainless cladded door and matching pro handle, these columns match perfectly with our Fulgor Milano pro cooking products and feature a brilliant white aluminum interior with metal bins on full extension stainless glides. All units feature an accessory ice maker, with food preservation being the priority. Combining elegant design and commercial quality, ensures optimal food preservation performance. A dedicated compressor and evaporator provide consistent and precise temperatures throughout.

SPECIFICATIONS

Stainless Steel Exterior
Total No Frost
Height adjustable glass shelves
Metal freezer bins on stainless steel glides
Icemaker with ice tray
Luminous white interior
Multilevel LED lighting
Professional handle kit included

REFRIGERATION

BUILT-IN FREEZER COLUMN

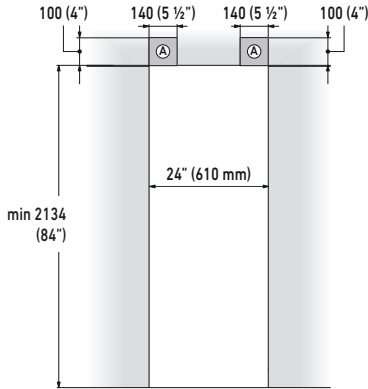


CODE ID		24" BUILT-IN FREEZER F7SFC24S1-L (LEFT HINGE) F7SFC24S1-R (RIGHT HINGE)	
Finish	Stainless Steel Exterior		
PERFORMANCES/CAPACITY			
Annual Energy Usage	548 kWh/yr		
Interior capacity (cbft)	12.67		
FEATURES			
Professional handle kit	•		
Shelves	2		
Adjustable Door Shelves	2		
Freezer Drawers	4		
LED lighting	•		
Ice Maker	•		
Ice Maker production capacity	2.2 lbs / 24 hrs		
No Frost	•		
DIMENSIONS/WEIGHT			
Width in	24"	609 mm	
Height in	83 - 1/2"	2120 mm	
Depth without handle in	25"	635 mm	
Minimum niche height in	84 - 1/2"	2145 mm	
Door clearance in	46"	1170 mm	
Door opening angle	100°		
Net Weight	311 lbs	141 kg	
POWER / RATINGS (115 V, 60 HZ)			
Watts / Amps	327W - 3A		
Power Cable	Nema 5-15P		
INSTRUCTIONS FOR USE			
Use & Care Manual / Installation Manual	English / French / Spanish		

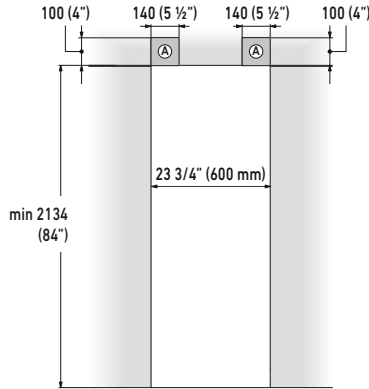
BUILT-IN FREEZER 24"

NICHE SPECIFICATIONS AND DIMENSIONS

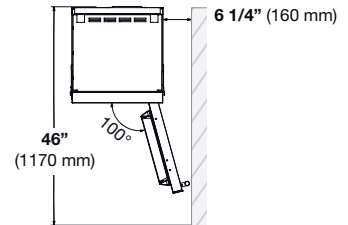
NA STANDARD CUTOUT



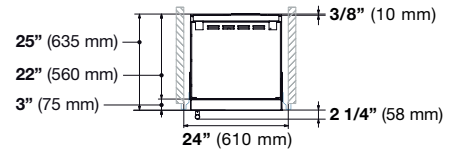
EUROPEAN STANDARD CUTOUT



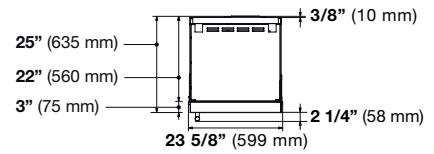
DOOR SWING CLEARANCE



North American Standard installation



European Standard installation



When installing our top compressor models in a standard NA cut out it is recommended to use the J-profile trim kit to close the lateral gap of the appliance, alternatively use the standard plastic mounting clips when installing unit into Euro width cabinet.

Installing in the unit in a standard North American "cutout" without the J-profile trim kit, will result in a larger gap along the cabinet opening.



When installing our top compressor models in a new construction, it is recommended to use the European "cutout" dimensions to achieve a minimal gap on the lateral sides and avoid the need to use the J-profile trim kit.

Installing in the unit in a standard North American "cutout" without the J-profile trim kit, will result in a larger gap along the cabinet opening.

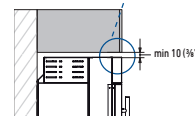
TECHNICAL DATA

(A) Niche Width	see above
(B) Unit Width	23" 5/8 (599 mm)
(C) Unit Width with lateral frames	24" (610 mm)



If the units are to be installed inside a cutout or within an enclosed structure, it is necessary to design a ventilation shaft at the back of the cutout to assure proper ventilation at the back of the unit.

Cross-sectional chimney ventilation area should equal 200cm² (31in²).



ELECTRICAL AND WATER CONNECTIONS

