

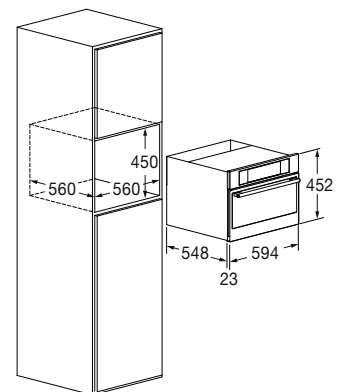


## Blast chillers 45

FBC 4500 TF X



- Stainless steel finish
- 11 functions
- TFT touch control display
- Blast chilling temperature +3°C
- Deep freezing -18°C
- Blast chilling temperature -30 °C (fresh fish)
- Quick cooling
- Defrosting
- Slow Cooking
- Leavening



## Features

The blast chiller has a 40 l capacity. This appliance comes with the following accessories: a meat probe, a heat-resistant glass tray, and a rack. The best results are obtained with the vacuum sealing drawer enhancing the blast chiller functions.

This appliance can be combined with the 45 and 60 cm ranges and Fulgor Milano's wide range of drawers.



STAINLESS STEEL  
FBC 4500 TF X  
EAN 8019801016822

# PLANO

BLAST CHILLER 45



FBC 4500 TF X	
Type	Blast chiller multifunction
Finish	Stainless Steel
Interiors: enamelled / other	Stainless steel
<b>FEATURES</b>	
Volume (litres)	40 L
Total functions no.	11
Cold functions	7
Hot functions	4
Meat probe	•
<b>PERFORMANCE</b>	
Sanitation - 30°C	•
Blast chilling up to + 3°C	•
Deep-freezing up to 18 °C	•
Timed cooling	•
Bottle cooling	•
Low-temperature cooking up to +75 °C	•
Regeneration	•
Ready to serve	•
<b>CONTROLS</b>	
Programming	TFT Display
Auto power off	•
<b>SAFETY</b>	
Temperature overload protection sensors	•
Control lock	•
<b>ACCESSORIES</b>	
Lighting (Halogen, 20 W) no.	1
Flat racks / glass tray no.	1 / 1
<b>POWER RATING</b>	
Max electrical power (W)	300 W
Voltage / Frequency (V - Hz)	230 - 50
Power cord	•
Plug	Schuko
<b>DIMENSIONS</b>	
Width (mm)	594
Height (mm)	452
Depth (mm)	571
Built-In Cut Out (W x H x D) mm	560 x 450 x 560