

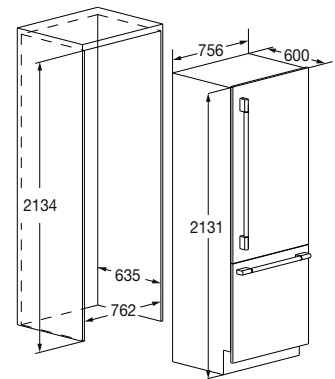


30" Combined Refrigerator

FBCD 761 TNF EDBL



- Built-in installation
- Panel-ready refrigerator
- Total No Frost cooling
- Digital display
- Total gross capacity: 460 litres
- Fast Freezing Function
- Holiday function
- Automatic defrosting
- Interior LED lighting
- Self-supporting hinges + Reversible doors
- Energy Class: E (ex A++)



Features

TOTAL NO FROST refrigerator with LED lighting, fitted with a special Fresh drawer and fine stainless steel finishes. This also has three glass shelves and three balconies on the counterdoor with an egg rack. The freezer has three removable drawers and solid telescopic guides. Independent temperature regulation between the refrigerator and freezer. This refrigerator features an open-door buzzer, a temperature indicator light, and a quick freezer indicator light.

Accessories sold separately:

- Door kit stainless steel
- Door kit black
- Professional Handle Kit
- Urbantech stainless steel handle kit
- Urbantech black handle kit

F4PANEL30BMSS
 F4PANEL30BMUMBK
 F4HKPRO30BM
 F4HKU30BMSS
 F4HKU30BMMBK



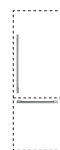
COMBI REFRIGERATOR
 FBCD 761 TNF EDBL
 EAN 8019801031481



STAINLESS STEEL PANELS
 F4PANEL30BMSS
 EAN 8019801031825



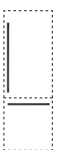
BLACK PANELS
 F4PANEL30BMUMBK
 EAN 8019801032778



PRO HANDLES
 F4HKPRO30BM
 EAN 8019801031832



URB HANDLES
 F4HKU30BMSS
 EAN 8019801032792



URB HANDLES
 F4HKU30BMMBK
 EAN 8019801032785

REFRIGERATION

REFRIGERATORS



FBCD 761 TNF EDBL	
Type	Combined
Finish	Built-In
Fixing	Self-supporting hinges
Reversible doors	•
PERFORMANCE	
Total gross capacity	460 L
Total net capacity	452 L
Efficiency class	E
Energy consumption (KWh / year) based on results of standard testing over 24 hours*	467
Autonomy without electricity (h)	11
Freezing power (Kg / 24h)	5.8
Climate class	SN-T
Sound level dB (A) re1pW	43
GENERAL FEATURES	
	Electronic regulation
	Independent refrigerator temperature regulation / Freezer / fresh zone
	Temperature indicator
	LED lighting
No. of compressors / type	1/Inverter
Refrigerant gas	R600a
REFRIGERATOR COMPARTMENT	
Cooling system	No Frost
Defrosting	Automatic
Rear panel with LED light	•
"FRESH 0 °C" zone	•
Freshwater dispenser	-
Glass shelves	3
Egg container	•
Produce drawer	•
Refrigerator compartment volume	325 L
FREEZER COMPARTMENT	
Cooling system	No Frost
Defrosting	Automatic
Fast Freezing	•
Removable drawers	2
Automatic Ice Maker	-
Freezer compartment volume	127 L
POWER RATING	
Max power absorbed at 220 V	572W
Power supply (V - Hz)	220-240 / 50-60
Plug (Schuko)	•
WEIGHT, DIMENSIONS	
Weight (kg)	148
Dim. Product (W x H x D) mm	2123 x 756 x 595