

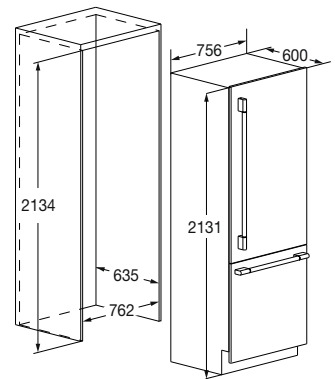


## 30" Combined Refrigerator

FBCD 762 TNF EDBL



- Built-In installation + Panel-ready refrigerator
- Total No Frost cooling
- Digital display
- Total gross capacity: 460 litres
- Ice Maker + Water dispenser
- Fast Freezing Function
- Holiday function
- Automatic defrosting
- Interior LED lighting
- Self-supporting hinges + Reversible doors
- Energy Class: E (ex A++)



## Features

TOTAL NO FROST refrigerator with LED lighting, fitted with a special Fresh drawer and fine stainless steel finishes. The refrigeration system with two cooling systems cools the food quickly while saving energy. Cold water is always ensured by the internal dispenser. The ice maker inside the freezer allows you to enjoy the amount of ice you want whenever you want. This also has three glass shelves and three balconies on the counterdoor with an egg rack. The freezer has three removable drawers.

Accessories sold separately:

- Door kit stainless steel
- Door kit black
- Professional Handle Kit
- Urbantech stainless steel handle kit
- Urbantech black handle kit

F4PANEL30BMSS  
 F4PANEL30BMUMBK  
 F4HKPRO30BM  
 F4HKU30BMSS  
 F4HKU30BMMBK



COMBI REFRIGERATOR  
 FBCD 762 TNF EDBL  
 EAN 8019801031498



STAINLESS STEEL PANELS  
 F4PANEL30BMSS  
 EAN 8019801031825



BLACK PANELS  
 F4PANEL30BMUMBK  
 EAN 8019801032778



PRO HANDLES  
 F4HKPRO30BM  
 EAN 8019801031832



URB HANDLES  
 F4HKU30BMSS  
 EAN 8019801032792



URB HANDLES  
 F4HKU30BMMBK  
 EAN 8019801032785

# REFRIGERATION

## REFRIGERATORS



FBCD 762 TNF EDBL	
Type	Combined
Finish	Built-In
Fixing	Self-supporting hinges
Reversible doors	•
<b>PERFORMANCE</b>	
Total gross capacity	460 L
Total net capacity	452 L
Efficiency class	E
Energy consumption (KWh / year) based on results of standard testing over 24 hours*	551
Autonomy without electricity (h)	11
Freezing power (Kg / 24h)	5.8
Climate class	SN-T
Sound level dB (A) re1pW	43
<b>GENERAL FEATURES</b>	
	Digital touch display
	Holiday function
	Open door buzzer
	Fast Freezing indicator
No. of compressors / type	1/Inverter
Refrigerant gas	R600a
<b>REFRIGERATOR COMPARTMENT</b>	
Cooling system	No Frost
Defrosting	Automatic
Rear panel with LED light	•
"FRESH 0 °C" zone	•
Freshwater dispenser	•
Glass shelves	3
Egg container	•
Produce drawer	•
Refrigerator compartment volume	325 L
<b>FREEZER COMPARTMENT</b>	
Cooling system	No Frost
Defrosting	Automatic
Fast Freezing	•
Removable drawers	2
Automatic Ice Maker	•
Freezer compartment volume	127 L
<b>POWER RATING</b>	
Max power absorbed at 220 V	572W
Power supply (V - Hz)	220-240 / 50-60
Plug (Schuko)	•
<b>WEIGHT, DIMENSIONS</b>	
Weight (kg)	155
Dim. Product (W x H x D) mm	2123 x 756 x 595