

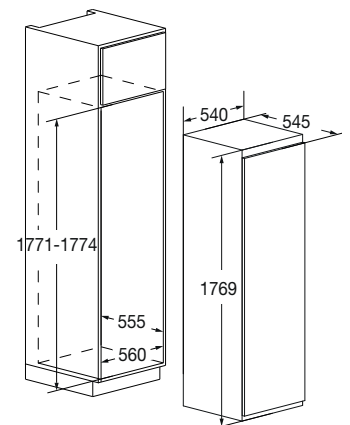


Freezer 60

FBF 290 NF ED



- Built-in installation
- Total No Frost cooling
- Digital display
- Total gross capacity: 210 litres
- Fast Freezing Function
- Automatic defrosting
- Internal light
- Sliding door assembly
- Reversible door
- Energy Class: E (ex A+)



Features

TOTAL NO FROST column freezer fitted with two flaps and 5 transparent drawers (to check the content). Moreover, it comes with an open-door buzzer, a temperature indicator and a quick freezer indicator. The latter function is used to freeze large amounts of food all at once.



FREEZER
FBF 290 NF ED
EAN 8019801029488

REFRIGERATION

REFRIGERATOR AND FREEZER



FBF 290 NF ED	
Type	Freezer
Finish	Built-In
Fixing	Towing
Reversible doors	•
PERFORMANCE	
Total gross capacity	210 L
Total net capacity	200 L
Efficiency class	E
Energy consumption (KWh / year) based on results of standard testing over 24 hours*	234
Autonomy without electricity (h)	11
Freezing power (Kg / 24h)	9
Climate class	SN-T
Sound level dB (A) re1pW	41
GENERAL FEATURES	
Electronic regulation	•
Digital display	•
Temperature regulation	•
Buzzer	•
Temperature indicator	•
Fast Freezing indicator	•
Lighting	-
No. of compressors / type	1/Inverter
Refrigerant gas	R600a
REFRIGERATOR COMPARTMENT	
Cooling system	-
Defrosting	-
Glass shelves	-
Egg container	-
Produce drawer	-
Refrigerator compartment volume	-
FREEZER COMPARTMENT	
Cooling system	No Frost
Defrosting	Automatic
Fast Freezing	•
Removable drawers / flaps	5 / 2
Freezer compartment volume	200 L
POWER RATING	
Max power absorbed at 220 V	176W
Power supply (V - Hz)	220-240 / 50-60
Plug (Schuko)	•
WEIGHT, DIMENSIONS	
Weight (kg)	59
Height (mm)	177
Width (mm)	540
Depth (mm)	550
Built-In Cut Out (HxWxD)	1775x560x560