



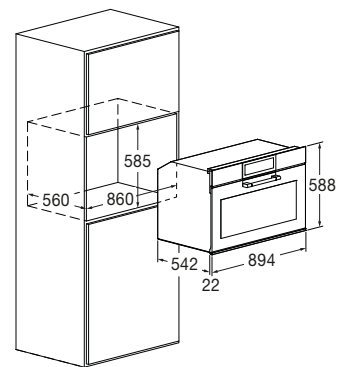
XXL 90 Multifunction Oven



FCLO 9615 TEM 2F BK



- Deep Black finish
- 16 functions
- AirFry (oven-frying) function
- Creative Extended controls
- Meat probe
- Fast Pre-Heat BOOSTER
- Soft Closing
- Telescopic rails
- CLEAN assisted cleaning cycle
- 3-pane glass cool-touch door
- Energy Class A+



Features

The control panel has different functions, including preset cooking functions and the possibility to modify the recipes. With the Meat Probe, you can obtain perfect results because it allows you to monitor the progress by measuring the food core temperature.

This product comes with the following accessories: telescopic rails, a Meat Probe, an enamelled tray, a flat rack, a rotisseries kit and an enamelled AirFry tray.



DEEP BLACK GLASS
FCLO 9615 TEM 2F BK
EAN 8019801023288

CLUSTER

MULTIFUNCTION OVEN 90



FCLO 9615 TEM 2F BK	
Type	Electronic multifunction
Finish	Deep Black
Interiors: enamelled / other	Ultra Black Piro / -
FEATURES	
Efficiency class	A +
Capacity (litres)	100 L
Forced cooling	•
Functions no.	16
PERFORMANCE	
AirFry (oven-frying)	•
Max cooking temperature	250 °C
Interior dual convection	•
Assisted cleaning (CLEAN)	•
Grill power (W)	1750 +1100
Low-temperature slow cooking	•
CONTROLS	
Control type	Creactive Extended
Pre-loaded and editable recipes	•
Booster	•
Meat probe	•
On/off icon	•
Electronic temperature regulation	•
Single / double thermoventilated	- / •
Internal light	•
SAFETY	
Cool-touch door / no. of glass panes	• / 3
SOFT CLOSING door	•
ACCESSORIES	
Lighting (Halogen, 20 W) no.	2
Set of telescopic rails no.	1
Trays no. / type	1 / enamelled
Enamelled AirFry trays no.	1
Flat racks no.	1
Rotisserie	•
POWER RATING	
Max electrical power (W)	3500 W
Voltage / Frequency (V - Hz)	220 - 240 V; 50 - 60 Hz
Power cord	•
Plug	Schuko
DIMENSIONS	
Width (mm)	894
Height (mm)	588
Depth (mm)	564
Built-In Cut Out (W x H x D) mm	860 x 585 x 560