

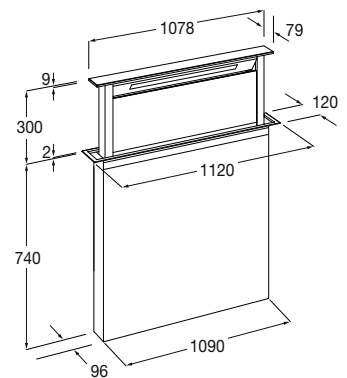


Lift Hood 120

FDDH 1120 TRC WH



- Touch controls and remote control
- Electric opening/closing device
- White Glass finish
- Power off timer
- LED bar lighting
- Aluminium anti-grease filters
- Filter saturation indicator
- Oil drip tray
- Non-return valve
- Energy Class A



Features

Rear lift hood. **Motors to be ordered separately.** With an FDD 2M motor, the extraction output is 790 m³/h (4 power levels). The sound power varies depending on the motor installed.

Accessories on request:

- On-Board motor
- Inner remote motor
- Outer remote motor
- Activated carbon filter - filtering version use

FDD 2 M
FEM 1
FEM 2
FCHF 12



WHITE GLASS
FDDH 1120 TRC WH
EAN 8019801022274

EXTRACTION

DOWNDRAFT (LIFT) HOODS



FDDH 1120 TRC WH	
Type	Downdraft
Finish	White Glass
Installation	On the countertop
FEATURES	
Efficiency class	A
Extraction levels	4
Auto power off	•
Anti-grease filter saturation indicator	•
Carbon filter saturation indicator (filtering)	•
Lighting	LED bar
Type of anti-grease filters	Aluminium
Dishwasher-safe anti-grease filters	•
Minimum air outlet tube \varnothing	\varnothing 150 mm / rect. 220 x 90 x (230 x 80)
Airflow non-return valve	•
CONTROLS	
Operating system / Remote control	Touch control / •
PERFORMANCE / ELECTRICAL DATA	
Suction power m ³ /h (max) with FDD2M / FEM1 / FEM2	790 - 740 / 790
Noise (dBA) with FDD2M / FEM1 / FEM2 min.- max	39 - 68 / 28 - 55 / 39-57
Annual consumption (kWh) FDD2M / FEM1 / FEM2	51.9 / 49.9 / 99.4
Motor power (W) FDD2M / FEM1 / FEM2	275 / 275 / 200
Voltage / Frequency (V-Hz)	230 - 240 / 50 - 60
Power cord (m)	2
ACCESSORIES	
Motor included	-
On-Board motor (on request)	FDD 2M
Internal remote motor (on request)	FEM 1
External remote motor on request	FEM 2
HP filter for filtering version (on request)	FCHF 12
DIMENSIONS	
Width (mm)	1120
Height (mm)	min.740 max 1040
Depth (mm)	96 + motor